

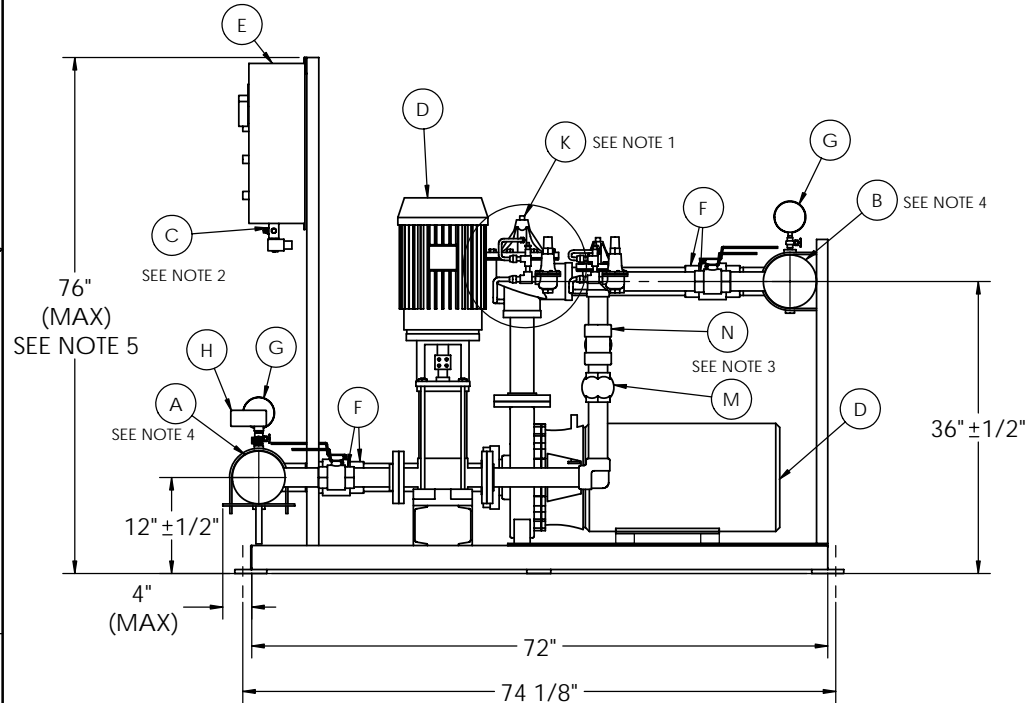
**INCLUDED**  
 PRV  CHECK VALVE

HEADER SIZE		"X"
<input type="checkbox"/>	3" IPS PIPE 304 S.S.	67 15/16"
<input type="checkbox"/>	4" IPS PIPE 304 S.S.	67 7/16"
<input type="checkbox"/>	6" IPS PIPE 304 S.S.	66 3/8"
<input type="checkbox"/>	3" TUBE (COPPER ASTM B-88) TYPE L/K	68 1/8"
<input type="checkbox"/>	4" TUBE (COPPER ASTM B-88) TYPE L/K	67 1/8"
<input type="checkbox"/>	6" TUBE (COPPER ASTM B-88) TYPE L/K	66 5/8"

- NOTES**
- Item 'K' (PRV) is standard. If item 'L' (check valve) is required please indicate selection
  - 'C' (1/4" NPT) Provided on continuous run systems only. To be connected to drain by others.
  - 'M' & 'N' are provided on systems with adjacent mounted drawdown tanks.
  - Booster is supplied with standard roll groove for A & B headers suitable for victaulic type or equivalent flanges (supplied by others). If Armstrong is to supply flanges, please indicate flange pressure rating required.
  - Consult Drawing 2400-000 for Variable Speed Drive (VFD) controller dimensions
  - Type L copper is suitable for 175 PSI, Type K copper is suitable for 300 PSI.

Maximum System Pressure:  175 PSI  300 PSI

- COMMENTS**
- Drawing 2407-200 is applicable for pumps with suction size up to 4", 30 HP @ 3600 RPM, and nominal impeller diameters up to 10". For other sizes consult factory for new drawing.
  - For other Inlet/Outlet orientations consult factory for new drawing.
  - Dimensions are based on factory choice standard components.
  - Tolerances are (+/-) 1/2" unless otherwise specified.
  - All dimensions are in inches.



<b>A</b>	SUCTION CONNECTION	<b>H</b>	AQUASTAT (TEMPERATURE PROBE)
<b>B</b>	DISCHARGE CONNECTION	<b>J</b>	RUBBER ISOLATING CUSHION
<b>C</b>	SOLENOID VALVE (1/4" NPT)	<b>K</b>	PRESSURE REDUCING VALVE (PRV)
<b>D</b>	PUMP & MOTOR	<b>L</b>	CHECK VALVE ONLY
<b>E</b>	CONTROL PANEL	<b>M</b>	CHECK VALVE (SEE NOTE 3)
<b>F</b>	BRONZE BALL VALVE	<b>N</b>	TEE (SEE NOTE 3)
<b>G</b>	PRESSURE GAUGE		

DO NOT SCALE

DRAWN BY	SP	DATE	07/12/03	ARMSTRONG PUMPS INC. NORTH TONAWANDA, NY 14120  DRAWING TITLE <b>6720 - DUPLEX            DOMESTIC WATER BOOSTER</b>
CHECK	GB	DATE	06/11/04	
ENGINEERING				
QUALITY ASSURANCE				
MANUFACTURING				SIZE <b>C</b>
		DRAWING NUMBER		REV.
		<b>2407-200</b>		<b>A</b>
SCALE: NTS		WEIGHT:		SHEET: 1 OF 1