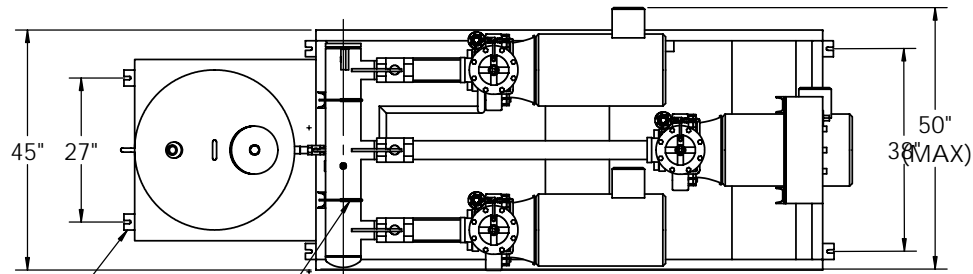


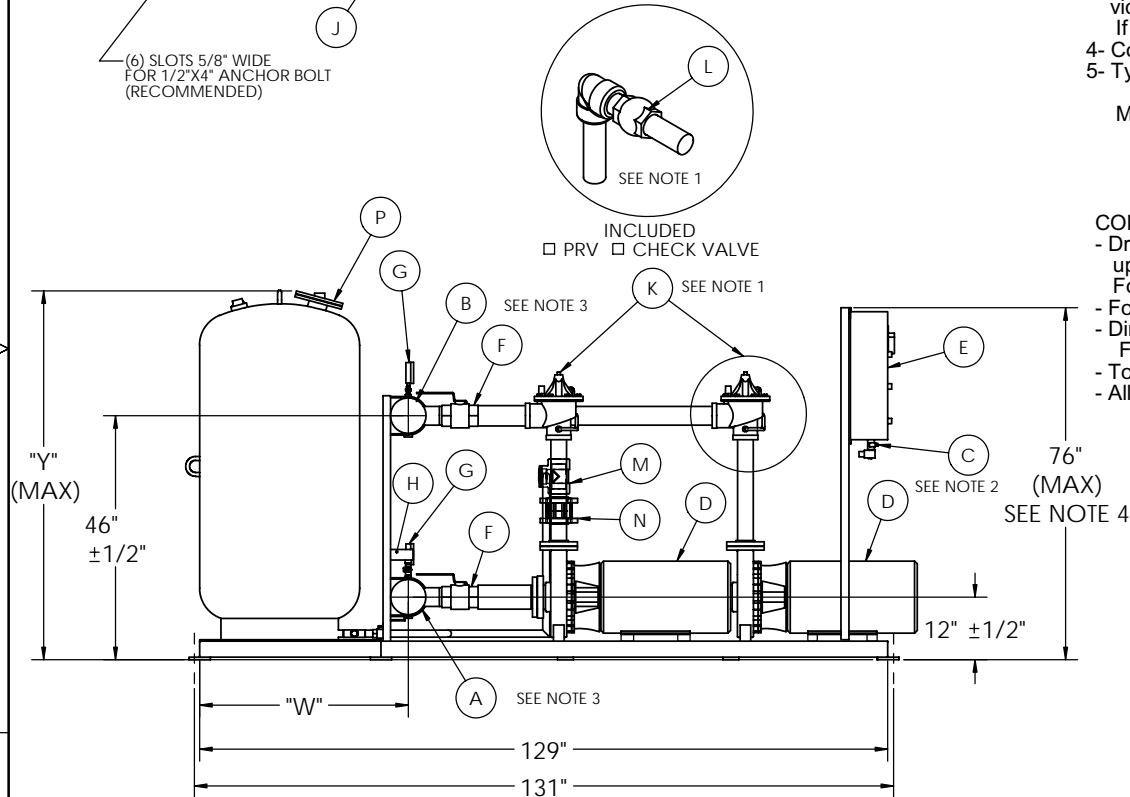
D



C

B

A



HEADER SIZE	"W"
3" IPS PIPE 304 S.S.	41.5"
4" IPS PIPE 304 S.S.	42"
6" IPS PIPE 304 S.S.	43"
3" TUBE (COPPER ASTM B-88) TYPE K	41.5"
4" TUBE (COPPER ASTM B-88) TYPE K	42"
6" TUBE (COPPER ASTM B-88) TYPE K	43"

NOTES

- Item 'K' (PRV) is standard. If item 'L' is required please indicate selection
- 'C' (1/4" NPT) Provided on continuous run systems only. To be connected to drain by others.
- Booster is supplied with standard roll groove for A & B headers suitable for victaulic type or equivalent flanges (supplied by others). If Armstrong is to supply flanges, please indicate flange pressure rating required.
- Consult Drawing 2400-000 for Variable Speed Drive (VFD) controller dimensions.
- Type L copper is suitable for 175 PSI, Type K copper is suitable for 300 PSI.

Maximum System Pressure: 175 PSI 300 PSI

COMMENTS

- Drawing A-2406-100 is applicable for 4280 pump suction size up to 4", 30 HP@ 3600 RPM and, nominal impeller diameters up to 10". For other sizes consult factory for new drawing.
- For other Inlet/Outlet orientations consult factory for new drawing.
- Dimensions are based on factory choice standard components. For other than standard consult factory for new drawing.
- Tolerances are (+/-) 1/2" unless otherwise specified.
- All dimensions are in inches.

TANK OPTIONS

BLADDER TANK	RATING (PSI)	CAPACITY USG	DIMENSION "Y"
AFV-200	150	53	44
AFV-300		80	52
AFV-450	(NON-ASME)	119	56
400L		106	60
500L	125	132	64
600L	(ASME)	158	58
800L		211	66
700L	200	185	86
	(ASME)		

A SUCTION CONNECTION	H AQUASTAT (TEMPERATURE PROBE)
B DISCHARGE CONNECTION	J RUBBER ISOLATING CUSHION
C SOLENOID VALVE (1/4" NPT)	K PRESSURE REDUCING VALVE (PRV)
D PUMP & MOTOR	L CHECK VALVE ONLY
E CONTROL PANEL	M CHECK VALVE
F BRONZE BALL VALVE	N TEE
G PRESSURE GAUGE	P DRAWDOWN TANK

DO NOT SCALE

DRAWN BY	SP	DATE	10/12/03	ARMSTRONG PUMPS INC. NORTH TONAWANDA, NY 14120			
CHECK	GB	DATE	06/07/04				
ENGINEERING		DRAWING TITLE					
QUALITY ASSURANCE		6635 - TRIPLEX DOMESTIC WATER BOOSTER					
MANUFACTURING		SIZE	C	DRAWING NUMBER	2406-100	REV.	A
SCALE: NTS		WEIGHT:		SHEET: 1 OF 1			