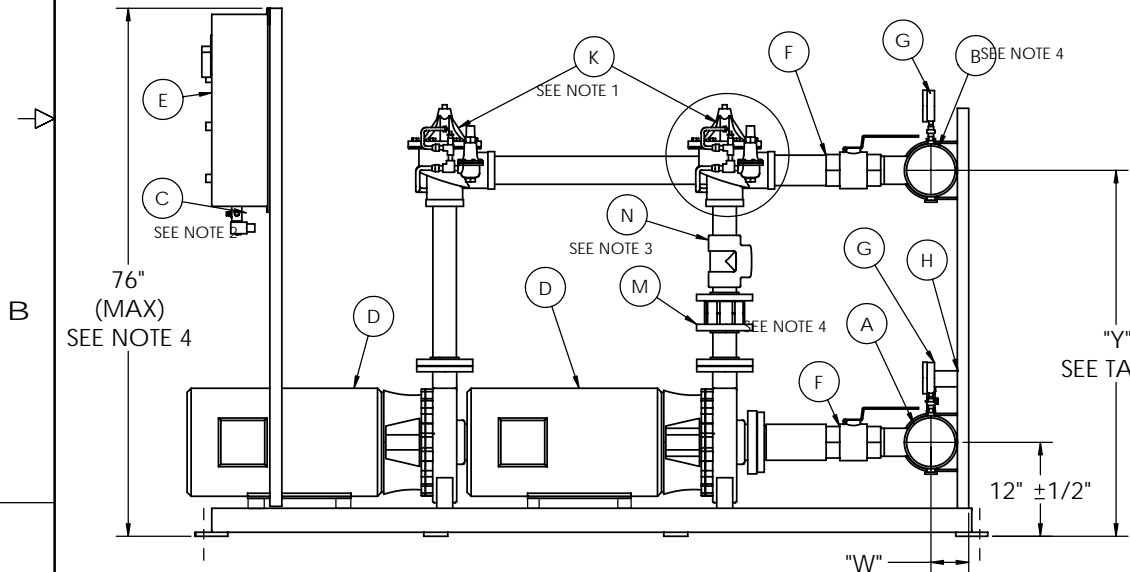


TABLE 1

DIM	STD	TM3-TM4 PRV 1.5-2	TM3-TM4 PRV 2.5-3
"Y"	30.5"	38.5"	44.5"

HEADER SIZE	W
3" IPS PIPE 304 S.S.	3-1/2"
4" IPS PIPE 304 S.S.	4"
6" IPS PIPE 304 S.S.	5"
3" TUBE (COPPER ASTM B-88) TYPE K	3-1/2"
4" TUBE (COPPER ASTM B-88) TYPE K	4"
6" TUBE (COPPER ASTM B-88) TYPE K	5"



- NOTES**
- Item 'K' (PRV) is standard. If item 'L' (check valve) is required please indicate selection
 - 'C' (1/4" NPT) Provided on continuous run systems only. To be connected to drain by others.
 - 'M & N' are provided on systems with adjacent mounted drawdown tanks.
 - Booster is supplied with standard roll groove for A & B headers suitable for victaulic type or equivalent flanges (supplied by others).
If Armstrong is to supply flanges, please indicate flange pressure rating required.
 - Consult drawing 2400-000 for Variable Speed Drive (VFD) controller dimensions
 - Type L copper is suitable for 175 PSI, Type K copper is suitable for 300 PSI.

Maximum System Pressure: □ 175 PSI □ 300 PSI

- COMMENTS**
- Drawing 2406-000 is applicable for 4280 pump suction size up to 4", 30 HP @ 3600 RPM and nominal impeller diameters up to 10". For other sizes consult factory for new drawing.
 - For other Inlet/Outlet orientations consult factory for new drawing.
 - Dimensions are based on factory choice standard components. For other than standard consult factory for new drawing.
 - Tolerances are (+/-) 1/2" unless otherwise specified.
 - All dimensions are in inches.

A SUCTION CONNECTION	H AQUASTAT (TEMPERATURE PROBE)
B DISCHARGE CONNECTION	J RUBBER ISOLATING CUSHION
C SOLENOID VALVE (1/4" NPT)	K PRESSURE REDUCING VALVE (PRV)
D PUMP & MOTOR	L CHECK VALVE ONLY
E CONTROL PANEL	M CHECK VALVE (SEE NOTE 3)
F BRONZE BALL VALVE	N TEE (SEE NOTE 3)
G PRESSURE GAUGE	

DO NOT SCALE

DRAWN BY SP	DATE 11/29/03	ARMSTRONG PUMPS INC. NORTH TONAWANDA, NY 14120
CHECK GB	06/07/04	
ENGINEERING		
QUALITY ASSURANCE		
DRAWING TITLE		6635 - TRIPLEX DOMESTIC WATER BOOSTER
SIZE C	DRAWING NUMBER 2406-000	
MANUFACTURING		REV. A
SCALE: NTS	WEIGHT:	SHEET: 1 OF 1