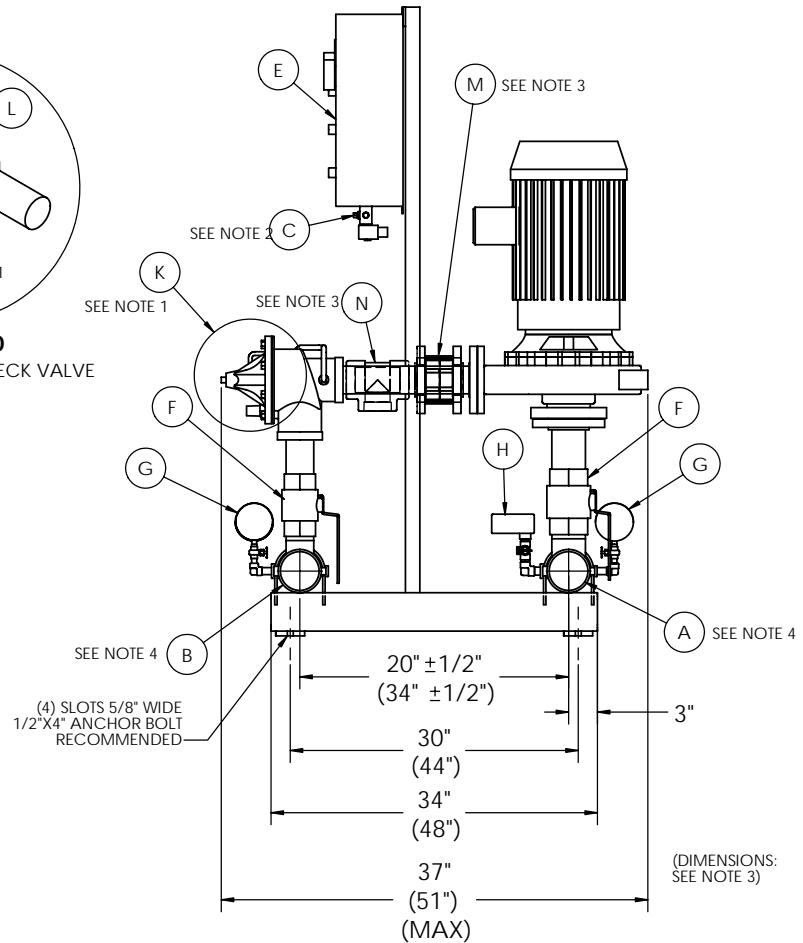


INCLUDED
 PRV CHECK VALVE



HEADER SIZE	X
<input type="checkbox"/> 3" IPS PIPE 304 S.S.	6-1/4"
<input type="checkbox"/> 4" IPS PIPE 304 S.S.	6-3/4"
<input type="checkbox"/> 6" IPS PIPE 304 S.S.	6-13/16"
<input type="checkbox"/> 3" TUBE (COPPER ASTM B-88) TYPE K	6-1/16"
<input type="checkbox"/> 4" TUBE (COPPER ASTM B-88) TYPE K	6-9/16"
<input type="checkbox"/> 6" TUBE (COPPER ASTM B-88) TYPE K	7-9/16"

- NOTES**
- Item 'K' (PRV) is standard. If item 'L' (check valve) is required please indicate selection
 - 'C' (1/4" NPT) Provided on continuous run systems only. To be connected to drain by others.
 - 'M' & 'N' are provided on systems with adjacent mounted drawdown tanks. Dimension () applies when items 'M' & 'N' are used
 - Booster is supplied with standard roll groove for A & B headers suitable for victaulic type or equivalent flanges (supplied by others). If Armstrong is to supply flanges, please indicate flange pressure rating required.
 - Consult Drawing 2400-000 for Variable Speed Drive (VFD) controller dimensions.
 - Type L copper is only suitable for 175 PSI, Type K copper is suitable for 300 PSI.

- COMMENTS**
- Drawing 2404-000 is applicable for Pumps with suction size up to 4", 25 HP @ 3600 RPM, and nominal impeller diameters up to 10".
 - For other sizes consult factory for new drawing.
 - For other Inlet/Outlet orientations consult factory for new drawing.
 - Dimensions are based on factory choice standard components.
 - For other than standard consult factory for new drawing.
 - Tolerances are (+/-) 1/4" unless otherwise specified.
 - All dimensions are in inches.

Maximum System Pressure: 175 PSI 300 PSI

A	SUCTION CONNECTION	H	AQUASTAT (TEMPERATURE PROBE)
B	DISCHARGE CONNECTION	J	RUBBER ISOLATING CUSHION
C	SOLENOID VALVE (1/4" NPT)	K	PRESSURE REDUCING VALVE (PRV)
D	PUMP & MOTOR	L	CHECK VALVE ONLY (OPTIONAL)
E	CONTROL PANEL	M	CHECK VALVE (SEE NOTE 3)
F	BRONZE BALL VALVE	N	TEE (SEE NOTE 3)
G	PRESSURE GAUGE		

DRAWN BY SP	DATE 11/17/03	ARMSTRONG PUMPS INC. NORTH TONAWANDA, NY 14120 DRAWING TITLE 6525 - DUPLEX DOMESTIC WATER BOOSTER		
CHECK GB	DATE 06/07/04			
ENGINEERING				
QUALITY ASSURANCE				
MANUFACTURING		SIZE C	DRAWING NUMBER 2404-000	REV. A
SCALE: NTS	WEIGHT:	SHEET: 1 OF 1		

DO NOT SCALE