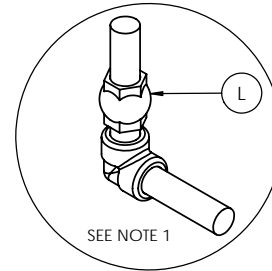
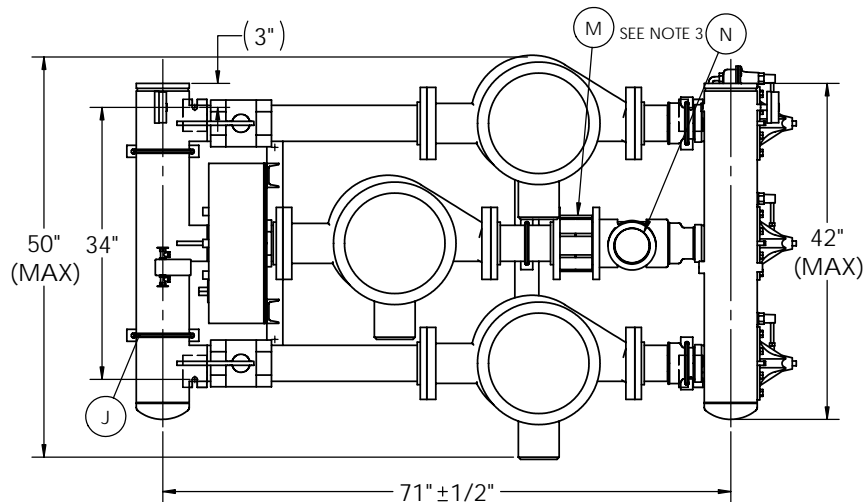


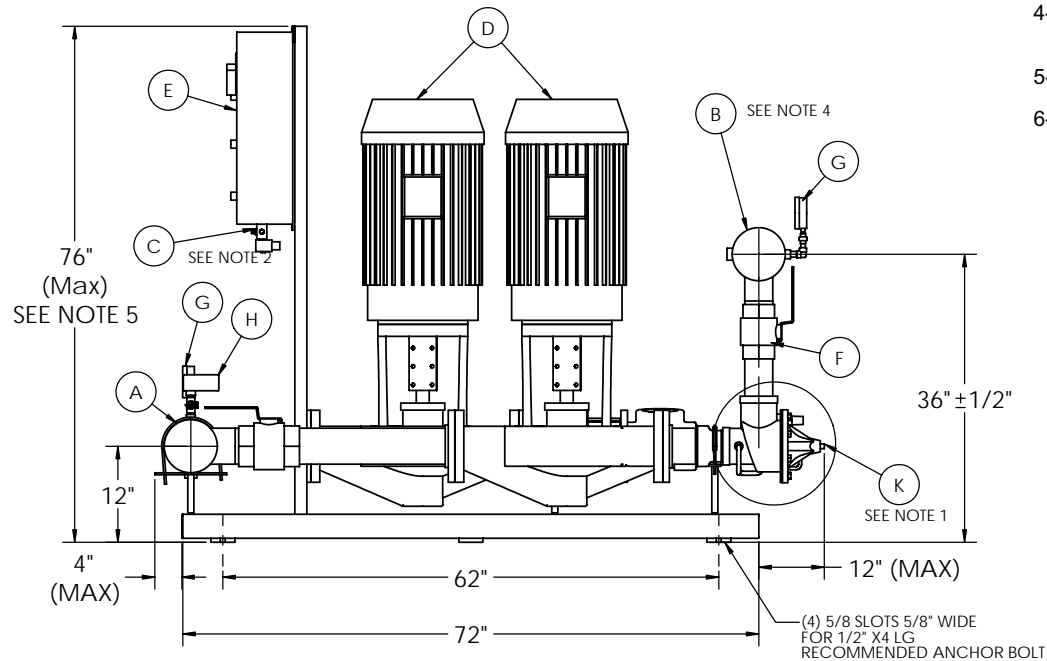
D

**INCLUDED**
 PRV    CHECK VALVE
**NOTES**

- Item 'K' (PRV) is standard. If item 'L' (check valve) is required please indicate selection
- 'C' (1/4" NPT) Provided on continuous run systems only. To be connected to drain by others.
- 'M' & 'N' are provided on systems with adjacent mounted drawdown tanks.
- Booster is supplied with standard roll groove for A & B headers suitable for victaulic type or equivalent flanges (supplied by others). If Armstrong is to supply flanges, please indicate flange pressure rating required.
- Consult Drawing 2400-000 for Variable Speed Drive (VFD) controller dimensions.
- Type L copper is suitable for 175 PSI, Type K copper is suitable for 300 PSI.

 Maximum System Pressure:    175 PSI    300 PSI

C



B

HEADER SIZE	
<input type="checkbox"/>	3" IPS PIPE 304 S.S.
<input type="checkbox"/>	4" IPS PIPE 304 S.S.
<input type="checkbox"/>	6" IPS PIPE 304 S.S.
<input type="checkbox"/>	3" TUBE (COPPER ASTM B-88) TYPE L/K
<input type="checkbox"/>	4" TUBE (COPPER ASTM B-88) TYPE L/K
<input type="checkbox"/>	6" TUBE (COPPER ASTM B-88) TYPE L/K

**COMMENTS**

- Drawing 2402-000 is applicable for VIL Pump with suction size up to 4", 30 HP @ 3600RPM, and nominal impeller diameters up to 10". For other sizes consult factory for new drawing.
- For other Inlet/Outlet orientations consult factory for new drawing.
- Dimensions are based on factory choice standard components. For other than standard consult factory for new drawing.
- Tolerances are (+/-) 1/4" unless otherwise specified.
- All dimensions are in inches.

A

A	SUCTION CONNECTION	H	AQUASTAT (TEMPERATURE PROBE)
B	DISCHARGE CONNECTION	J	RUBBER ISOLATING CUSHION
C	SOLENOID VALVE (1/4" NPT)	K	PRESSURE REDUCING VALVE (PRV)
D	PUMP & MOTOR	L	CHECK VALVE ONLY (OPTIONAL)
E	CONTROL PANEL	M	CHECK VALVE (SEE NOTE 3)
F	BRONZE BALL VALVE	N	TEE (SEE NOTE 3)
G	PRESSURE GAUGE		

DO NOT SCALE

DRAWN BY	SP	DATE	11/29/03	ARMSTRONG PUMPS INC. NORTH TONAWANDA, NY 14120  DRAWING TITLE <b>6730 - TRIPLEX          DOMESTIC WATER BOOSTER</b>
CHECK	GB	DATE	06/07/04	
ENGINEERING				
QUALITY ASSURANCE				
MANUFACTURING				SIZE <b>C</b>
		DRAWING NUMBER		REV.
		2402-000		<b>A</b>
SCALE: NTS		WEIGHT:	SHEET: 1 OF 1	