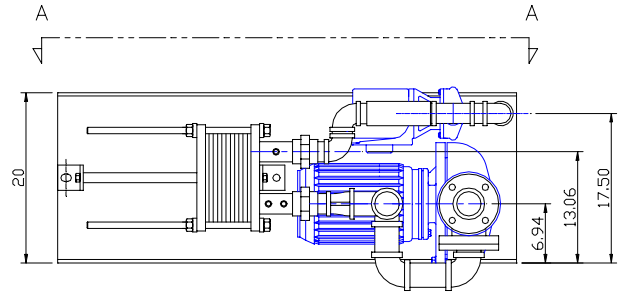


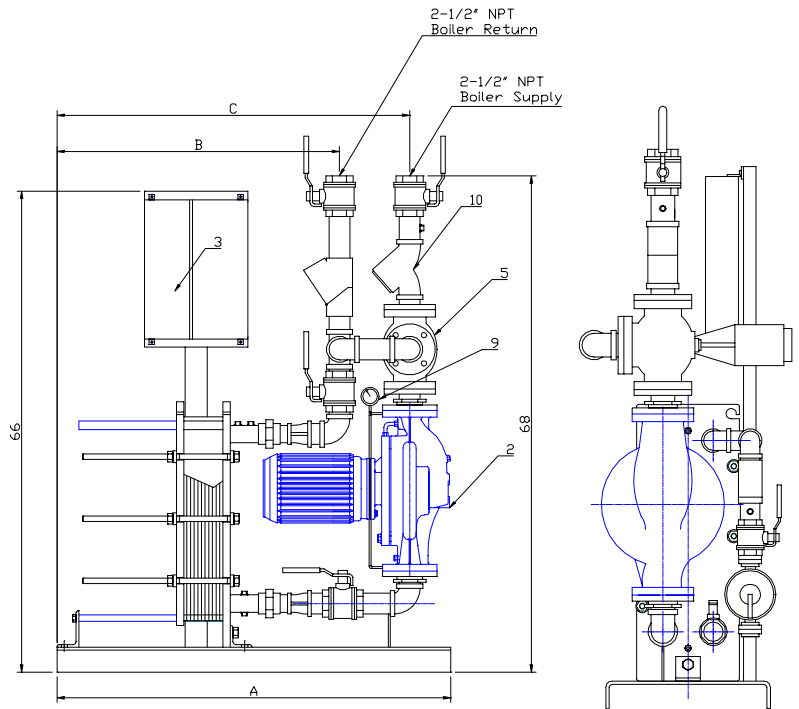
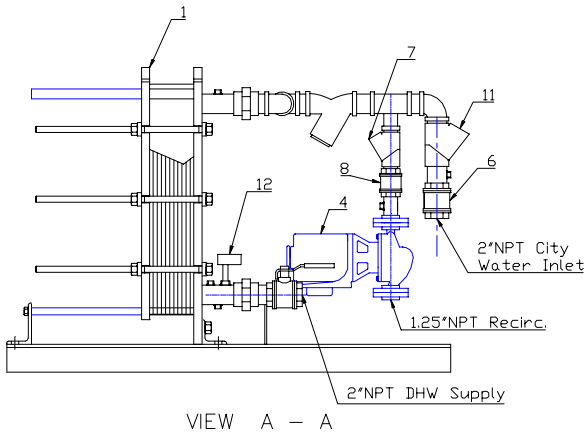
MODEL 070 - SUPER SYSTEM

SUBMITTAL

LEGEND			
ITEM	DESCRIPTION	MATERIAL	QTY
	Hot Water Boiler Piping 2.5"	Steel	
	Domestic Hot Water Piping 2"	Brass	
1	PFX Heat Exchanger SX 13-44	SST Plates	1
2	Pump 4380 3x3x8 / 5 HP	Bronze Fitted	1
3	Pump & Temperature Controller		1
4	Circulator H32/ H41 1/6Hp	All Bronze	1
5	3-Way Valve 2.5" w / Actuator	Brass	1
6	Ball Valve 2"	Brass	2
7	Swing Check Valve 1-1/4"	Brass	1
8	Ball Valve 1-1/4"	Brass	1
9	Pressure Gauge		1
10	Y-Strainer 2.5"	Cast Iron	1
11	Swing Check Valve 2"	Brass	1
12	Hi Limit Temperature Switch (AquaStat)		1



DIMENSIONS (IN)			
PFX Exchanger Type	A	B	C
Single Wall	54	38.75	48.5
Double Wall	68	49.25	59



Items 2, 3, 5, 9, and 10 not shown.

S.A. Armstrong Limited
 23 Bertrand Avenue
 Toronto, Ontario
 Canada, M1L 2P3
 Tel: (416) 755-2291
 Fax: (416) 759-9101

Armstrong Pumps Limited
 Peartree Road, Stanway
 Colchester, Essex
 United Kingdom, C03 5JX
 Tel: 01206-579491
 Fax: 01206-760532



Armstrong Pumps Inc.
 93 East Avenue
 Buffalo, New York
 U.S.A. 14120-6594
 Tel: (716) 693-8813
 Fax: (716) 693-8970

Armstrong Darling Inc.
 2200 Place Transcanadienne
 Montreal, Quebec
 Canada, H9P 2X5
 Tel: (514) 421-2424
 Fax: (514) 421-2436

