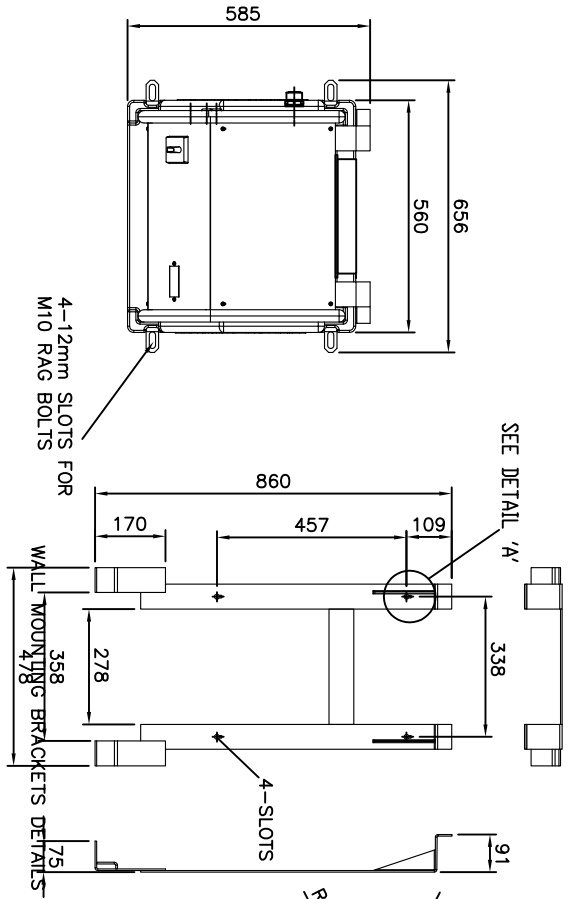
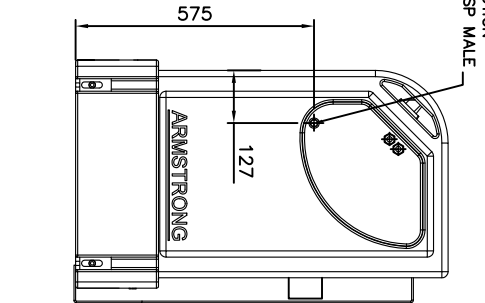
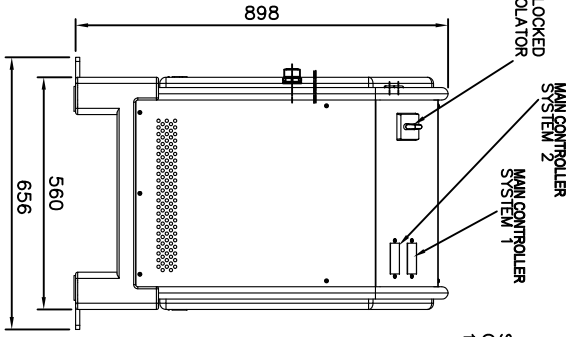
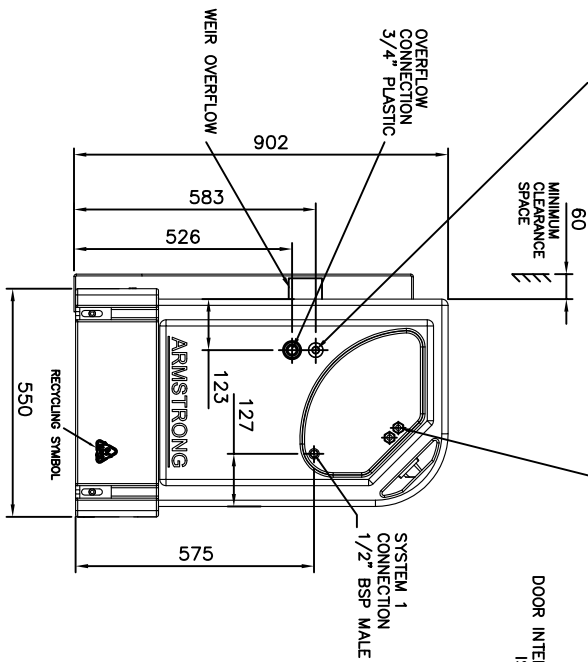


WALL MOUNTING UNIT



WATER INLET 1/2" BSP BALLCOCK FEMALE CONNECTION. (WATER SUPPLY PRESSURE 0.8 BAR MINIMUM TO 6.8 BAR MAXIMUM WITH THE BALLCOCK FULL OPEN).

2 - HOLES FOR POWER & VFC WIRES FITTED WITH M20 CONDUIT CONNECTIONS



SET WEIGHT (kg)		
No PUMPS	FULL	EMPTY
1	65	42
2	78	55

MOTOR DETAILS 1/50/230V				
UNIT	KW	FLC Amp	ISC (DOL) Amp	Amp
2.7 Bar	0.37	2.71	7.5	
5.5 Bar	0.37	3.18	8.7	
8.0 Bar	0.75	5.2	15.6	

- NOTES
1. THE SET CAN BE EITHER FLOOR MOUNTED OR 'HUNG' ON A WALL USING THE 'KEYHOLE' SLOTS PROVIDED IN THE STEEL BRACKETS IN THE BACK.
  2. SUPPLY DETAILS 1PH 230V
  3. WALL MOUNTING BRACKET AND 4- MOUNTING FEET ARE SUPPLIED AS AN OPTIONAL EXTRA

LAST MODIFICATION DETAILS

SEE ECO89899  
MOTOR DETAILS ADDED  
NOTE 2 WAS SUPPLY DETAILS  
1PH 240V 13amp FUSE

JOB No. PART No. WEIGHT KG FILE NAME

ALL DIMENSIONS IN mm  
DRAWN TO BS308  
WELDING SYMBOLS TO BS499  
SURFACE FINISH SHOWN IN  
MICROMETERS  
MACHINE WHERE SHOWN ✓  
TO TOLERANCE ± 0.3MM  
UNLESS OTHERWISE STATED

TITLE

GENERAL ARRANGEMENT  
3750 PRESSURISATION  
DUAL SYSTEM UNIT

DRG No.

PX10805-B  
DATE23/06/2010DRN BSD  
CHK BSD APP PK  
SCALE 1:1 SHEET 1 OF 1



WENLOCK WAY, MANCHESTER, M12 5UL  
TEL: +44 (0) 161 223 2223