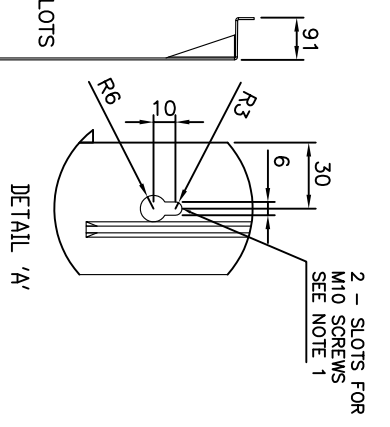
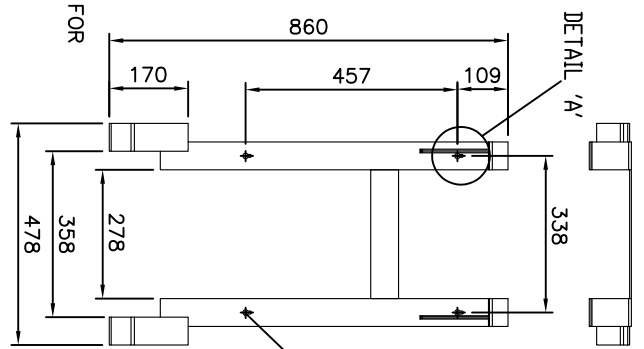
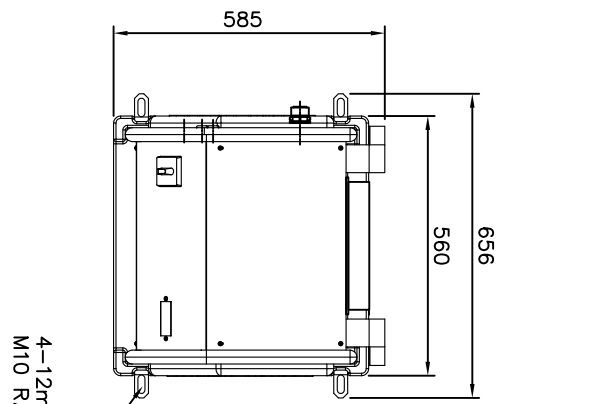
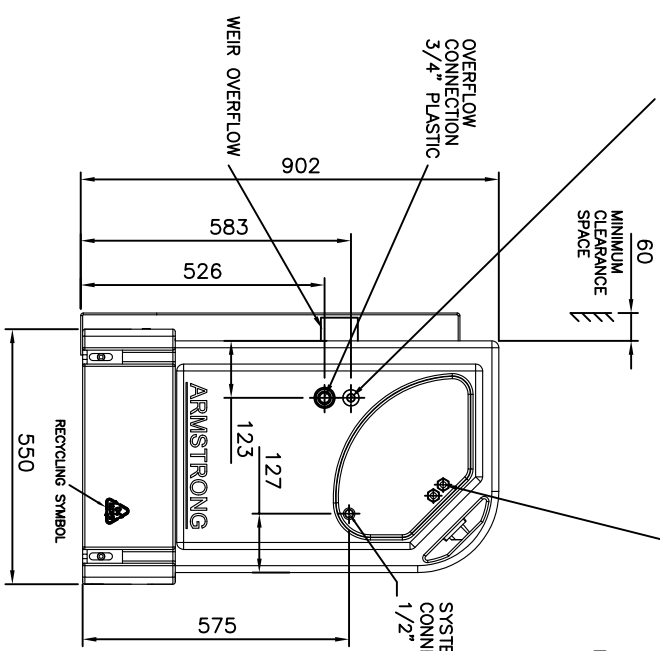


WATER INLET 1/2" BSP BALLCOCK FEMALE CONNECTION. (WATER SUPPLY PRESSURE 0.8 BAR MINIMUM TO 6.8 BAR MAXIMUM WITH THE BALLCOCK FULL OPEN).

2 - HOLES FOR POWER & VFC WIRES FITTED WITH M20 CONDUIT CONNECTIONS



SET WEIGHT (kg)		
No PUMPS	FULL	EMPTY
1	65	42
2	78	55

MOTOR DETAILS 1/50/230V				
UNIT	KW	FLC Amp	SC (DOL) Amp	Amp
2.7 Bar	0.37	2.71	7.5	8.7
5.5 Bar	0.37	3.18	8.7	15.6
8.0 Bar	0.75	5.2	15.6	

- NOTES**
1. THE SET CAN BE EITHER FLOOR MOUNTED OR 'HUNG' ON A WALL USING THE 'KEYHOLE' SLOTS PROVIDED IN THE STEEL BRACKETS IN THE BACK.
 2. SUPPLY DETAILS 1PH 230V
 3. WALL MOUNTING BRACKET AND 4- MOUNTING FEET ARE SUPPLIED AS AN OPTIONAL EXTRA

LAST MODIFICATION DETAILS

SEE ECO 8899 MOTOR DETAIL ADDED NOTE 2 WAS SUPPLY DETAIL 1PH 240V 13amp FUSE

ISSUE DATE 28/07/2011 DRN BSD CHK BSD APP PK

ALL DIMENSIONS IN mm DRAWN TO BS308 WELDING SYMBOLS TO BS499 SURFACE FINISH SHOWN IN MICROLETTERS MACHINE WHERE SHOWN TO TOLERANCE ± 0.3MM UNLESS OTHERWISE STATED

JOB No. PART No. WEIGHT KG FILE NAME

DESIGN No. PATTERN No. MATERIAL MAT'L SPEC.

THIS DRAWING IS THE PRIVATE AND CONFIDENTIAL PROPERTY OF ARMSTRONG HOLDEN BROOKE PULLEN LTD. ALL COPYRIGHT, MANUFACTURING AND SALES RIGHTS RESERVED.

TITLE

GENERAL ARRANGEMENT 3750 PRESSURISATION SINGLE SYSTEM UNIT

DRG No. PX10804-F

DATE 07/05/2008 DRN BSD

CHK BSD APP PK

SCALE 1:1 SHEET 1 OF 1

WENLOCK WAY, MANCHESTER, M12 5UL TEL: +44 (0) 161 223 2223