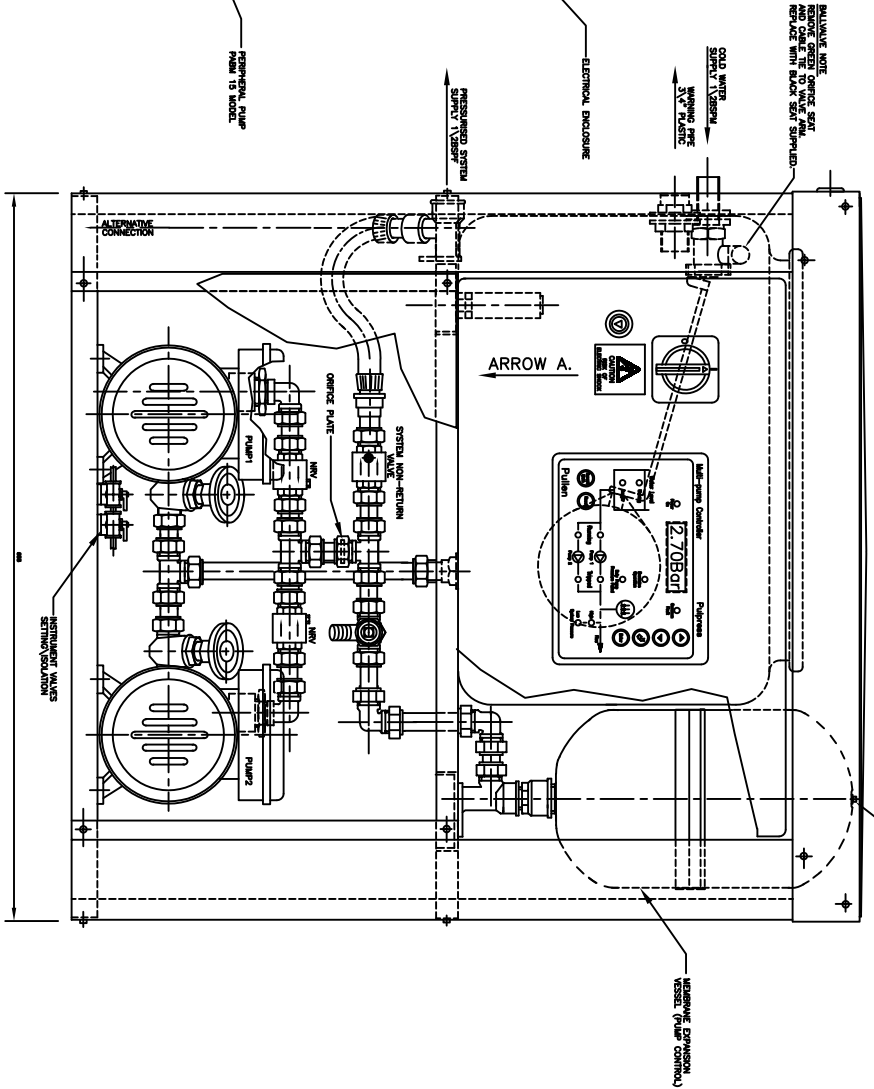
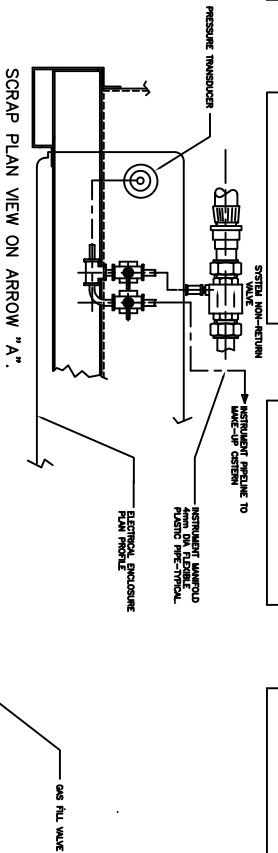
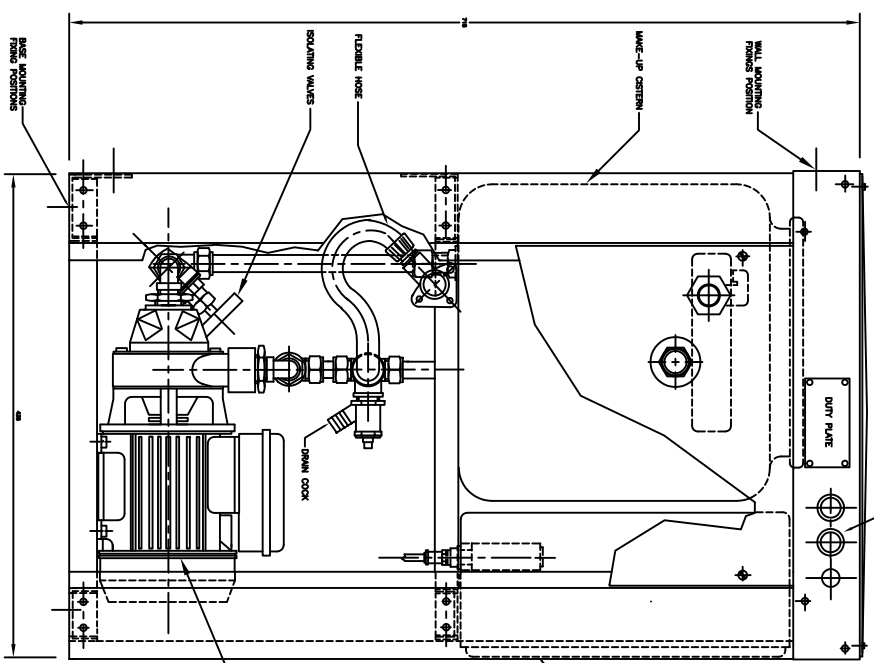


UNCONTROLLED



NOTES: DIMENSIONS IN MILLIMETERS UNLESS OTHERWISE STATED.
 1. COMPLETED SYSTEM TO BE PRESSURE TESTED TO 60 PSIG.
 2. PIPENWORK TO BE ASSEMBLED USING CRTE TUBE AND PERMANOND.

LAST MODIFICATION DETAILS		JOB No.	PART No.	WEIGHT KG	FILE NAME	TITLE		DRG No.	ARMSTRONG HOLDEN BROOKE PULLEN	
DRAWING BORDER CHANGED		-	-	-	13453B	GENERAL ARRANGEMENT PULPRESS PRO PRESTIGE 2 PUMP - 2.7 BAR SEPARATE GEAR		13453B	WENLOCK WAY, MANCHESTER, M12 5JL TEL: +44 (0) 161 223 2223	
ISSUE DATE/02/2006/DRN PUB	CHK PUB	APP PUB	PATTERN No.	MATERIAL	MAT'L SPEC.	DATE/08/04/1997/DRN PDC	CHK DIA	APP EGU	SHEET 1 OF 1	