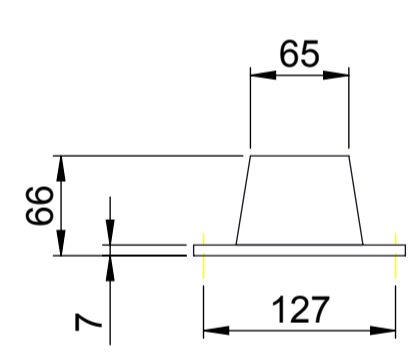
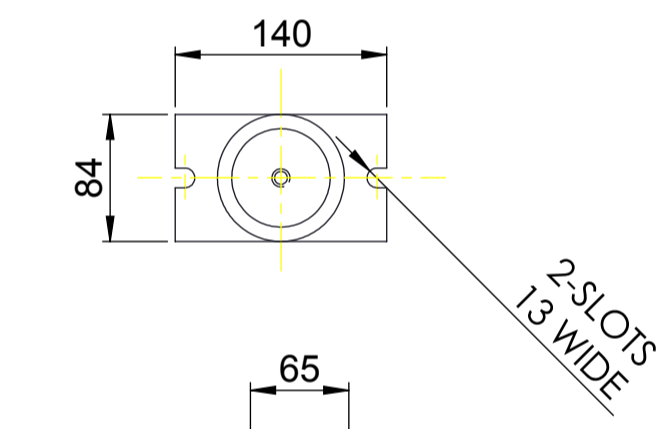
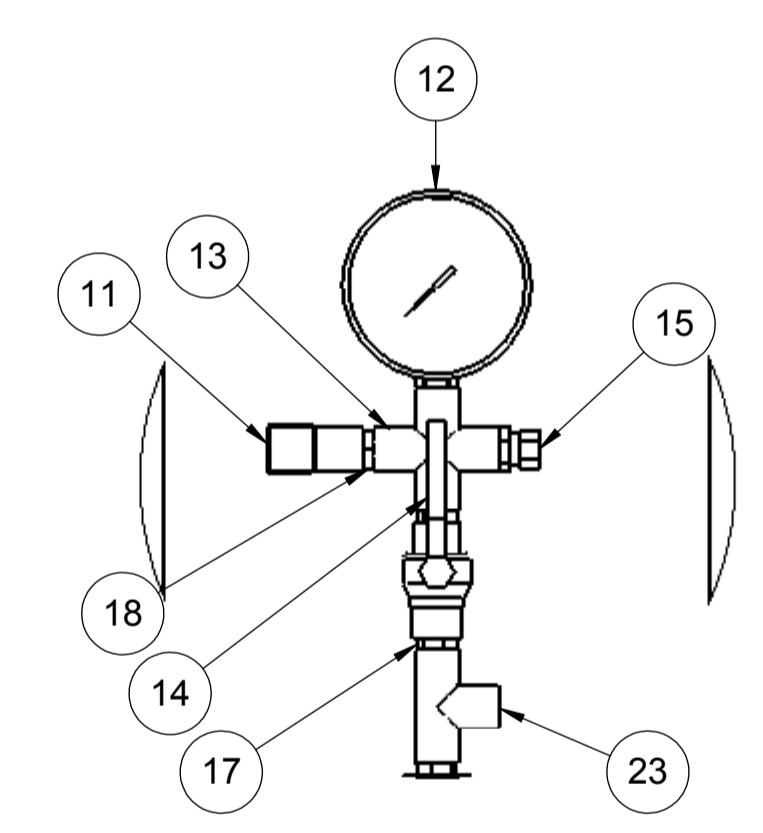


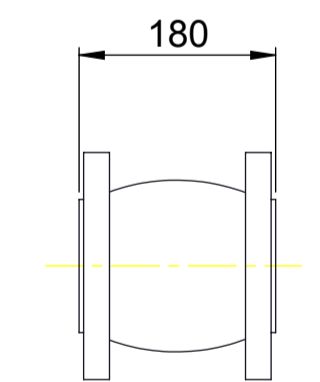
PUMP SIZE	MOTOR KW	FLC 3x415W	PUMP WEIGHT KGS	SET WEIGHT KGS	VESSEL SIZE LTRS	WORKING PRESSURE MAX BAR	TEST PRESSURE MAX BAR	STARTING CURRENT	L MM
SV3301	3	6.6	70	582	60	2.4	24	16	857
SV3302-2	4	8.5	78	598	60	3.4	24	20	936
SV3302-1	4	8.5	78	598	60	4	24	20	936

ITEM NO	DESCRIPTION	NO. OFF
1	BASE PLATE	1
2	BOLT - M12	16
3	WASHER - M12	16
4	CAGE NUT - M12	16
5	VMS PUMP	4
6	SUCTION/DISCHARGE MANIFOLD ASSY	2
7	ISOLATING VALVE 2 1/2"	8
8	NRV 2 1/2"	4
9	SUPPORT RIB	1
10	STANCHION	1
11	PRESSURE TRANSDUCER	1
12	PRESSURE GAUGE	1
13	FEMALE CROSS 1/2"	1
14	ISOLATING VALVE 1/2"	1
15	AIR VENT 1/4"	1
16	CONTROL PANEL	1
17	1/2" NIPPLE	3
18	1/2" x 1/4" REDUCING BUSH	3
19	BOLT - M10	9
20	WASHER - M10	9
21	NUT - M10	3
22	CAGE NUT - M10	6
23	1/2" T	1
FASTENERS FOR PN16		
24	BOLT - M16	16
25	WASHER - M16	96
26	NUT - M16	80
27	STUD - M16x44	48
28	STUD - M16x59	16
FASTENERS FOR PN25		
24	BOLT - M16	32
25	WASHER - M16	192
26	NUT - M16	160
27	STUD - M16x54	96
28	STUD - M16x69	32
29	GASKET - 65NB	8
30	SPACER PIECE - 65NB	4

ANTI-VIBRATION MOUNTINGS OPTIONAL ONLY SUPPLIED WHEN ORDERED (4-PER SET K2092/10)

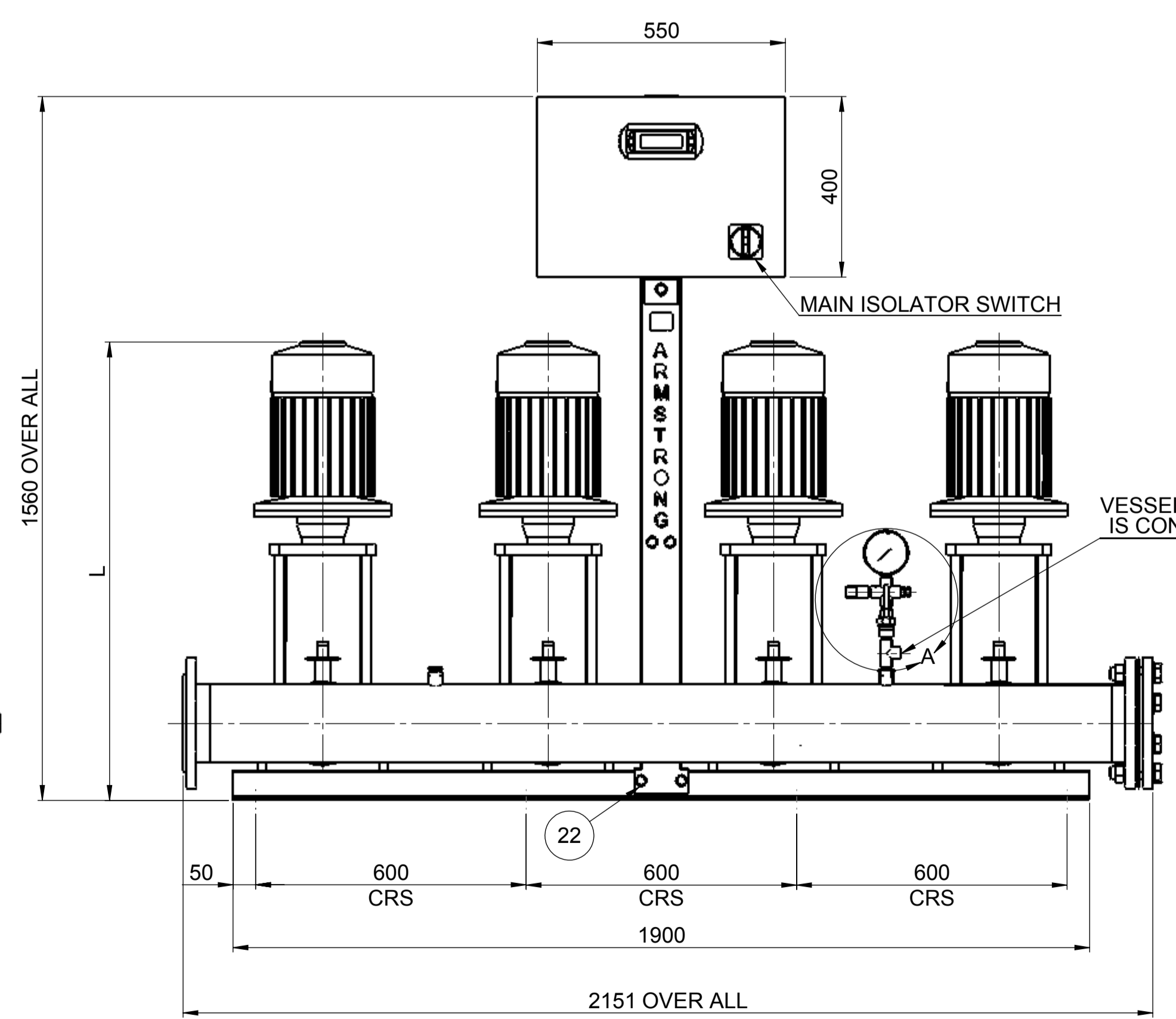
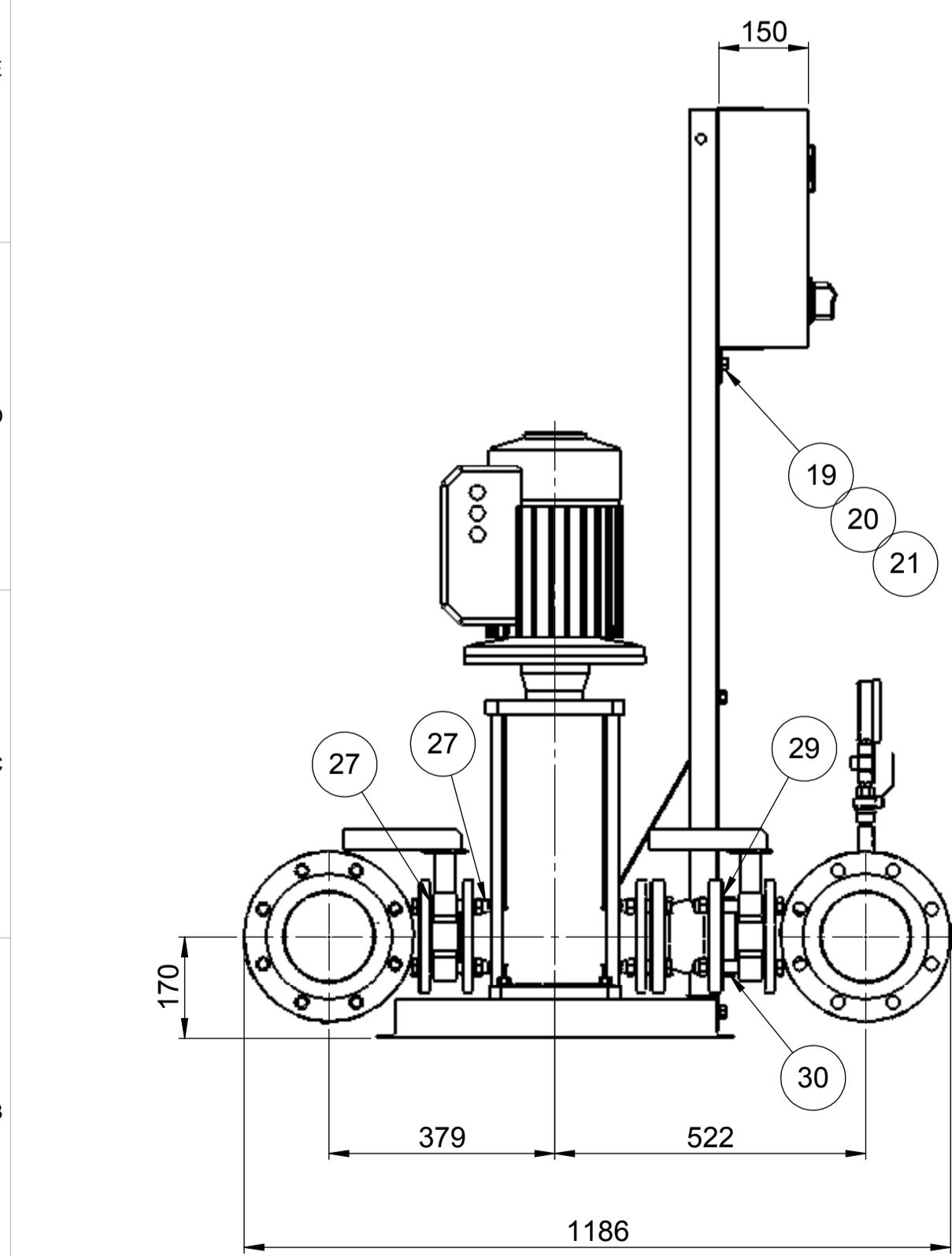


FLEXIBLE CONNECTORS OPTIONAL ONLY SUPPLIED WHEN ORDERED (2-PER SHEET)



NOTE:-

- 1) MAIN POWER SUPPLY TO PANEL MUST BE SIZED TO COVER ALL PUMPS RUNNING AT THE SAME TIME
- 2) LARGE STORAGE VESSELS, IF ORDERED, WILL BE SUPPLIED LOOSE FOR POSITIONING FOR CLIENT TO SUIT THE AVAILABLE FLOOR SPACE. CLIENT IS TO PROVIDE A CONNECTION FROM THE VESSEL TO THE DELIVERY PIPEWORK ADJACENT TO THE SET ISOLATING AND DRAIN VALVES SHOULD BE FITTED IN THIS CONNECTION
- 3) 60LT TANK WILL BE SUPPLIED LOOSE AND SHOULD BE ASSEMBLED ON SITE
- 4) FLANGES ARE AVAILABLE BOTH IN 16 & 25 BAR VERSION
- 5) FOR STANCHION SELECTION USE DRAWING NO. PK14967



REV:	DATE:	DRN BY:	CHECKED BY:	APP. BY:

PROPRIETARY AND CONFIDENTIAL  
THIS DRAWING IS THE PRIVATE AND CONFIDENTIAL PROPERTY OF ARMSTRONG. ALL COPYRIGHT, MANUFACTURING AND SALES RIGHTS RESERVED.

PART No.	UNLESS OTHERWISE SPECIFIED:	NAME	DATE
JOB No.	DIMENSIONS ARE IN MM	FRANKASH	04/03/08
DESIGN No.	WELD SYMBOLS TO BS 499		
PATTERN No.	SURFACE FINISH SHOWN IN UTM		
FILE NAME	MACHINE WHERE SHOWN TO TOLERANCE ± 0.3		
FINISH	DIMENSIONING AND TOLERANCING PER BS 308		
	MATERIAL:		
	MATERIAL SPEC:		
	THIRD ANGLE PROJECTION		
	DRAWING RELEASE LEVEL:		

**ARMSTRONG**

TITLE: **6800 HMP SERIES 4PUMP SV33**

SIZE: **A1** DRG. NO. **PX10752** REV **B**

SCALE: 1:10 WEIGHT: KG SHEET 1 OF 1