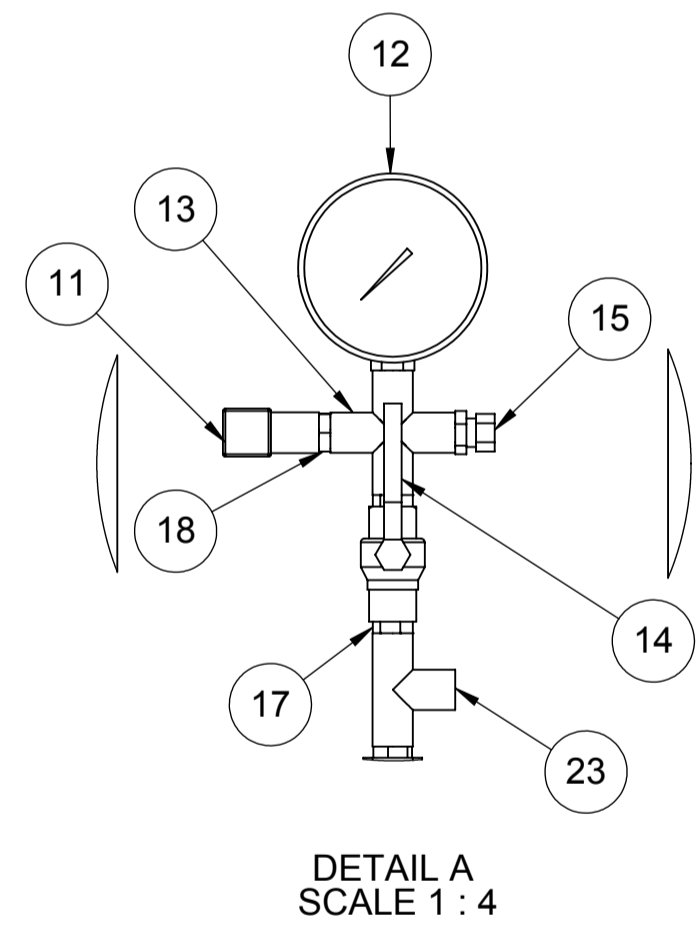
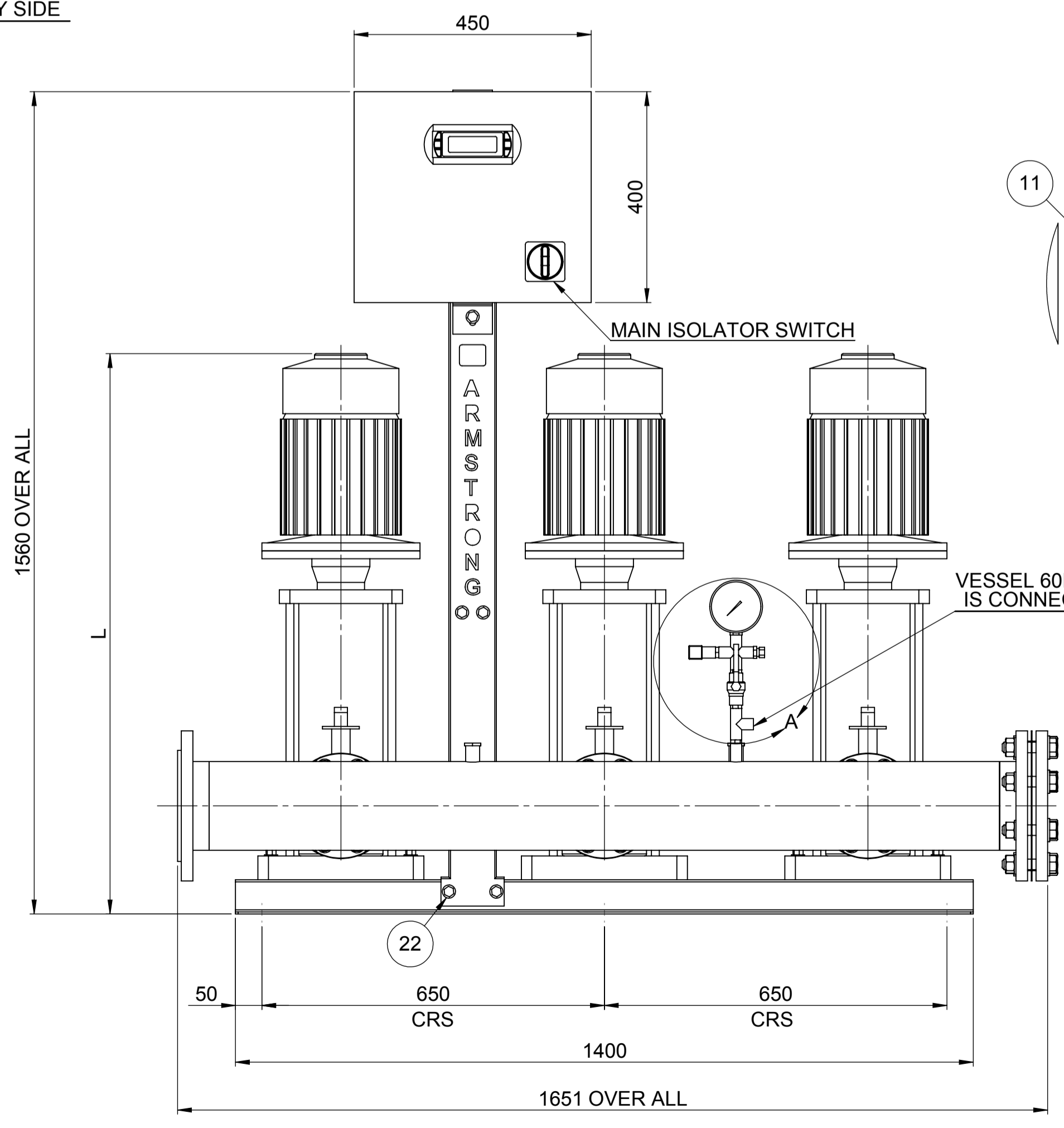
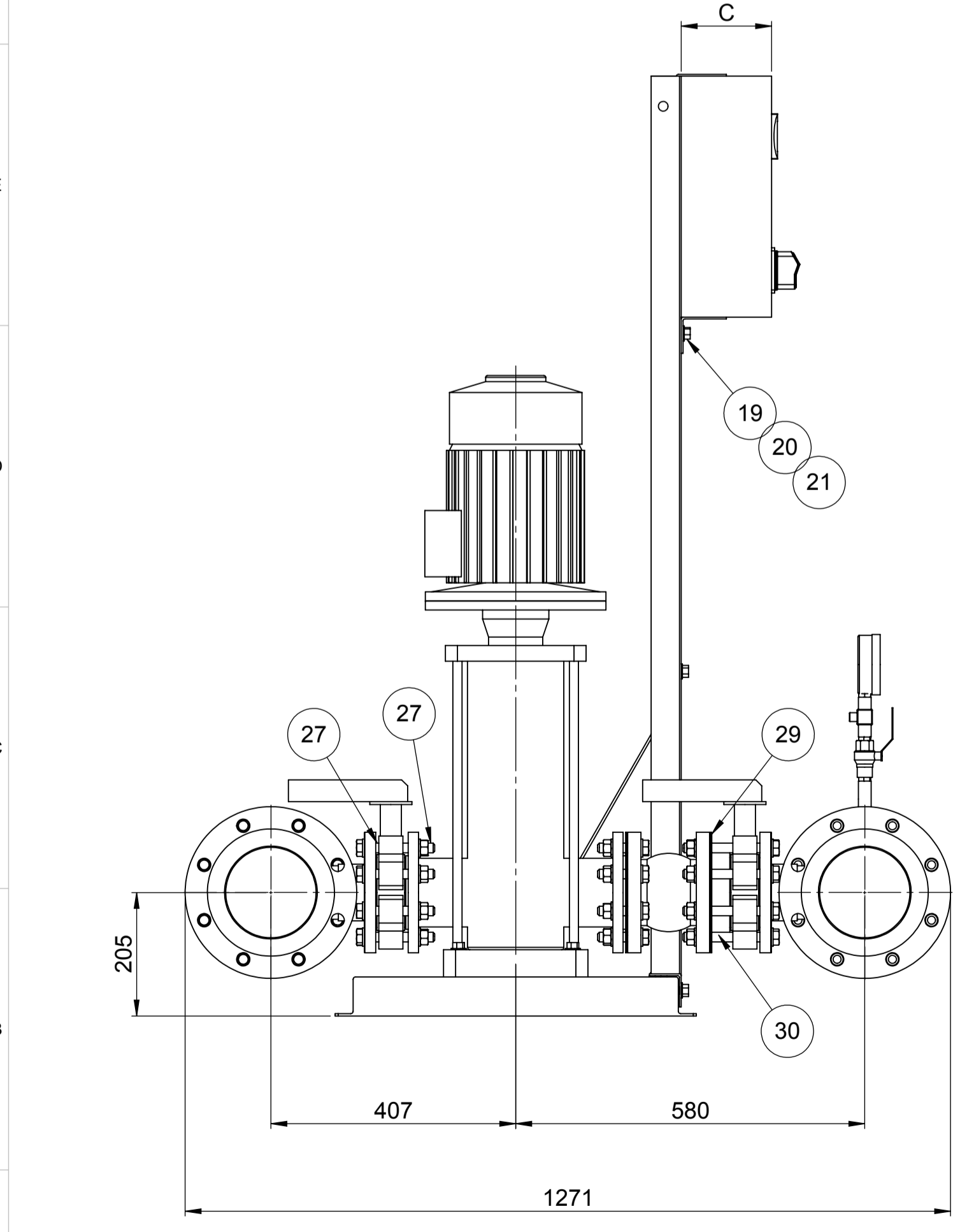
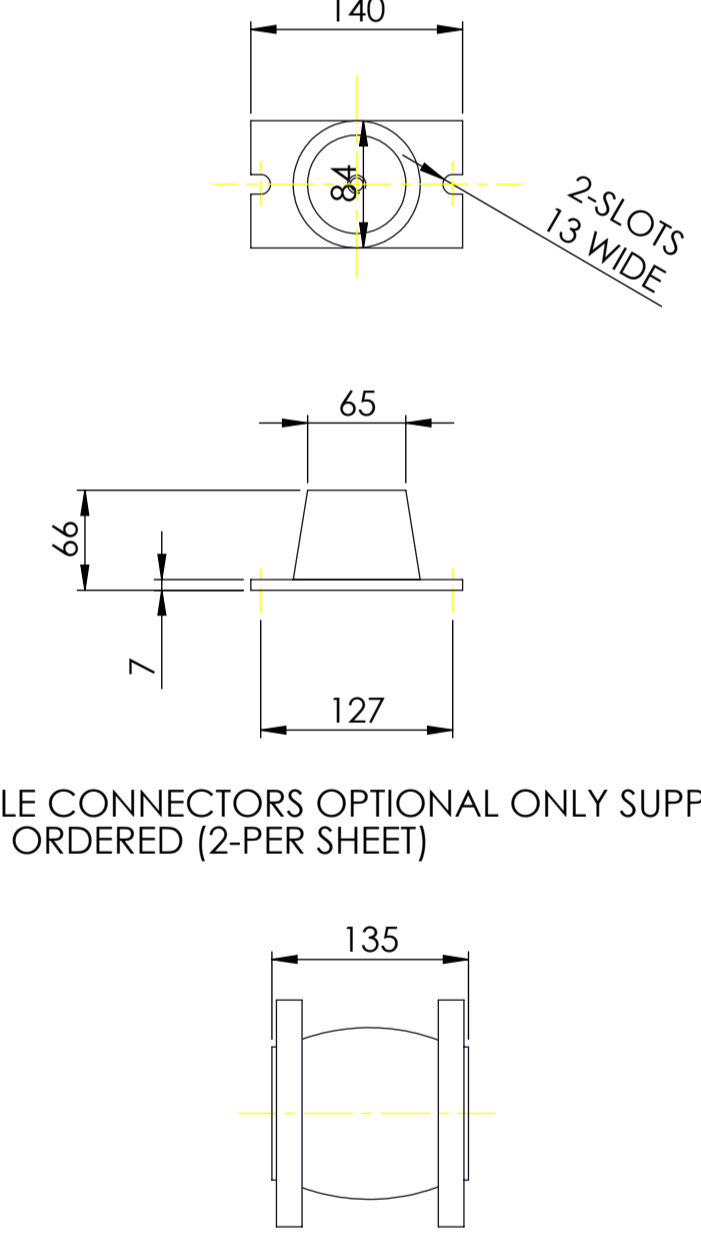


PUMP SIZE	MOTOR KW	FLC AMPS 3x415W	PUMP WEIGHT KGS	SET WEIGHT KGS	VESSEL SIZE LTRS	WORKING PRESSURE MAX BAR	TEST PRESSURE MAX BAR	STARTING CURRENT	L MM
SV4601	4	8.5	80	501	60	2.6	24	20	901



ANTI-VIBRATION MOUNTINGS OPTIONAL ONLY SUPPLIED WHEN ORDERED(6-PER SET K2092/10)



FLEXIBLE CONNECTORS OPTIONAL ONLY SUPPLIED WHEN ORDERED (2-PER SHEET)

NOTE:-

- 1) MAIN POWER SUPPLY TO PANEL MUST BE SIZED TO COVER ALL PUMPS RUNNING AT THE SAME TIME
- 2) LARGE STORAGE VESSELS, IF ORDERED, WILL BE SUPPLIED LOOSE FOR POSITIONING FOR CLIENT TO SUIT THE AVAILABLE FLOOR SPACE. CLIENT IS TO PROVIDE A CONNECTION FROM THE VESSEL TO THE DELIVERY PIPEWORK ADJACENT TO THE SET ISOLATING AND DRAIN VALVES SHOULD BE FITTED IN THIS CONNECTION
- 3) 60 Lt TANK WILL BE SUPPLIED LOOSE AND SHOULD BE ASSEMBLED ON SITE
- 4) FLANGES ARE AVAILABLE BOTH IN 16 & 25 BAR VERSION
- 5) FOR STANCHION SELECTION USE DRAWING NO. PK14967

ITEM NO	DESCRIPTION	NO. OFF
1	BASE PLATE	1
2	BOLT - M12	12
3	WASHER - M12	12
4	CAGE NUT - M12	12
5	VMS PUMP	3
6	SUCTION/DISCHARGE MANIFOLD ASSY	2
7	ISOLATING VALVE 3"	6
8	NRV 3"	3
9	SUPPORT RIB	1
10	STANCHION	1
11	PRESSURE TRANSDUCER	1
12	PRESSURE GAUGE	1
13	FEMALE CROSS 1/2"	1
14	ISOLATING VALVE 1/2"	1
15	AIR VENT 1/4"	1
16	CONTROL PANEL	1
17	1/2" NIPPLE	3
18	1/2" x 1/4" REDUCING BUSH	3
19	BOLT - M10	9
20	WASHER - M10	9
21	NUT - M10	3
22	CAGE NUT - M10	6
23	1/2" T	1
FASTENERS FOR PN16		
24	BOLT - M16	24
25	WASHER - M16	144
26	NUT - M16	120
27	STUD - M16x54	72
28	STUD - M16x74	24
FASTENERS FOR PN25		
24	BOLT - M16	24
25	WASHER - M16	144
26	NUT - M16	120
27	STUD - M16x74	72
28	STUD - M16x84	24
29	GASKET - 80NB	6
30	SPACER PIECE - 80NB	3

REV:	DATE:	DRN BY:	CHECKED BY:	APP. BY:

PROPRIETARY AND CONFIDENTIAL  
THIS DRAWING IS THE PRIVATE AND CONFIDENTIAL PROPERTY OF ARMSTRONG. ALL COPYRIGHT, MANUFACTURING AND SALES RIGHTS RESERVED.

PART No.	UNLESS OTHERWISE SPECIFIED:	NAME	DATE
JOB No.	DIMENSIONS ARE IN MM	DRAWN	03/03/08
DESIGN No.	WELD SYMBOLS TO BS 499	CHECKED	
PATTERN No.	SURFACE FINISH SHOWN IN UMS	Q.A.	
FILE NAME	MACHINE WHERE SHOWN TO TOLERANCE ± 0.3	MFG APPR.	
FINISH	DIMENSIONING AND TOLERANCING PER BS 308	ENG APPR.	
	MATERIAL SPEC.	COMMENTS:	

**ARMSTRONG**

TITLE: **6800 HMP SERIES 3PUMP SV46**

SIZE: **A1** DRG. NO.: **PX10758** REV: **B**

SCALE: 1:8 WEIGHT: KG SHEET 1 OF 1