

CIRCULATOR PUMP RANGE

HEATING

POTABLE WATER

SOLAR

GEO THERMAL

CONDENSATE



ARMSTRONG FLUID TECHNOLOGY

Global leaders in high-efficiency, energy-saving innovations



Making Energy Make Sense

Armstrong Fluid Technology is known around the world as a forerunner and innovator in the design, engineering and manufacturing of intelligent fluid flow equipment. Serving customers in over 150 countries with expertise in fluid dynamics, heat transfer, variable speed, and demand-based control Armstrong Fluid Technology leads the fluid system industry, including HVAC, plumbing, and fire safety in providing the most energy-efficient and cost-effective solutions to building professionals and owners around the globe.

Day-to-day operations at Armstrong are founded on the core principles of community, service, learning and innovation. We are driven to preserve the environment and lead the global shift in responsible, sustainable energy use by developing innovative, high-value, energy-saving solutions.

Engineered, high-efficiency circulator pump range

For more than 30 years, HALM, based in Germany, developed, designed and produced pumps for residential and light commercial applications. In January 2018, Armstrong Fluid Technology acquired the Circulation Pumps business of HALM, offering advanced design and devotion to energy-efficiency and manufacturing quality under a united brand. With our operating directives founded on the core value of service, Armstrong is pleased to offer engineered circulators to customers around the world.

Best-in-class

Armstrong Fluid Technology offers Best-In-Class circulator solutions for Heating, Drinking Water and Condensate applications. These solutions are excellent for use in both new installations and upgrading existing installation to meet higher performance requirements, especially in multi-family residential or commercial buildings.

For your convenience we are providing performance and technical details on these circulators in a catalogue format. Please contact your local Armstrong Representative with any questions you may have.

OPTIMO



OPTIMO BASIC



AGE 4



BUPA



OPTIMO S



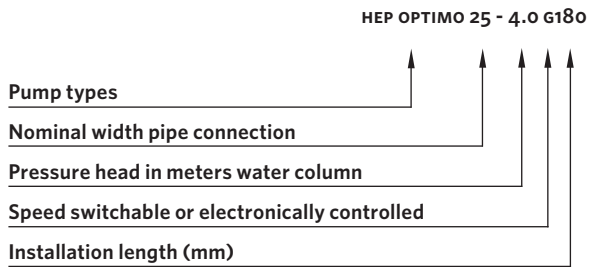
Contents	Page
GENERAL INFORMATION	4
Product range	
HEATING	
HEP Optimo Basic:	5
HEP Optimo:	8
AGE4 series:	11
AGE4 D series:	14
HUPA:	17
HLP A:	19
HGPA:	21
HGPA flange:	23
DRINKING WATER	
BUPA (N):	25
HEP Optimo Basic (N):	27
HEP Optimo (N):	30
BGPA (N):	33
AGE4 Z series:	35
CONDENSATE	
Lift:	38
Lift Basic:	39
ACCESSORIES/SPARE PARTS	
Screw connections	40
Insulation shell/Insulation shell for cold water applications	40
Plug	40
Accessories/Spare parts for condensate pumps	41

Inverter controlled pumps

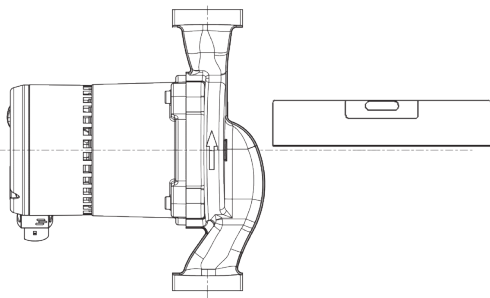
Subject to technical changes without notice. Errors and omissions excepted.

The latest versions of our sales, delivery, and payment conditions as well as guarantee terms can be found on the internet at

www.armstrongfluidtechnology.com

ARMSTRONG TYPE KEY (NOT COMPASS)**INSTALLATION OPTIONS**

Circulation pumps must be installed with a horizontal shaft.

**CONSTRUCTION**

Armstrong circulation pumps are inline wet rotor circulators. They are maintenance-free and fitted with opposite-facing connecting nozzles of the same nominal width. The pump, motor and terminal box comprise one unit and are optimally matched with one another.

A stainless steel can separates the rotor chamber and stator winding. It features static seals at both ends.

BEARING

Both bearings are made of oxide ceramic. This is particularly suitable because of its hardness, surface quality and corrosion resistance. They ensure smooth running and a long service life. Air cavities in the can well are evacuated via the hollow shaft.

EEL REQUIREMENTS

Due to the European ErP Directive (Energy related Products) minimum requirements for energy consumption values of circulating pumps have been set since 2013. Circulation pumps which do not meet these minimum requirements may not be "marketed" by manufacturers or importers within the EU.

The energy efficiency index (EEI) is the basis for determining which pumps are to be used in the future. It is determined by a special calculation method and represents the ratio of the power consumption of a controlled "high efficiency" pump compared to an "unregulated standard" pump of the same hydraulic power. The EEI must be below a certain value.

Since August 1, 2015, a general minimum requirement of $EEI \leq 0.23$ applies.

In practice, this means that the electricity consumption of the high-efficiency pump with an EEI must be at least 0.77 ($1 - 0.23$), ie 77% below the current consumption of an old standard pump, according to the legal requirements of ≤ 0.23 . This value applies, of course, only if the high-efficiency pump is set to the "most energy-saving" proportional pressure mode with which such EEI requirements can only be fulfilled. However, even if plants are operated in the fixed-value mode without control, savings of approx. 50% are realistic due to the energy-saving ECM technology of high-efficiency pumps.

The original ErP requirements were tightened in 2015 in several respects:

- Since 1 August 2015, EEI is ≤ 0.23 instead of the original minimum requirement of ≤ 0.27 .
- Circulation pumps for solar thermal and heat pumps are no longer explicitly excluded.
- From 2020 onwards, the specifications also apply to the exchange of "integrated pumps" *) in existing heat generators

*) "Integrated circulating pump" means a circulating pump intended for operation within a product and having at least one of the following design features:

- a) the pump housing is designed for assembly and use within a product
- b) the circulating pump is designed for speed control by the product
- c) the circulating pump has safety features which do not allow operation outside a product (ISO-IP classes)
- d) the circulating pump is defined as part of the product approval or the CE marking of a product.

As a rule, "integrated circulation pumps" are pumps that have been already installed and delivered with boilers by boiler manufacturers, and which have been distinguished by a special type designation as an integral part of the boiler. In addition to boilers, this can of course also be other products.

All Armstrong heating, solar and geo pumps meet the more stringent ErP requirements.



The reference value for the most efficient circulating pumps is $EEI \leq 0.20$. These pumps will be called the "Best-in-class".

**BEST
in class**

Except of the ErP requirements are only drinking water circulation pumps. However, the note "This circulation pump is only suitable for drinking water" must be attached to the packaging and the related technical documentation for drinking water circulation pumps. Armstrong offers both high-efficiency as well as standard drinking water circulation pumps. In order to fully meet the requirements of the Drinking Water Ordinance in Germany, Armstrong has generally converted the material of the pump housing for drinking water circulation pumps to stainless steel.

High efficiency pumps, electronically controlled

HEP Optimo Basic series, H1 product group



BEST
in class

ERP
2015⁺

TECHNICAL DATA

Rate of flow:	up to 4,4 m ³ /h
Pressure head:	4 m/6 m/8 m
Control range:	4-20 W/5-57 W/6-64 W
Media temperature:	+2 °C to +110 °C
Installation length:	130 and 180 mm
Threaded connection:	1", 1½" and 2"
Protection class:	IP 42
Insulation class:	F
Nominal pressure:	PN 10
Control:	Δpc + Δpv + fixed rpm
EEL:	≤ 0.17 HEP Optimo Basic XX-4.0 GXXX ≤ 0.18 HEP Optimo Basic XX-6.0 GXXX ≤ 0.20 HEP Optimo Basic XX-8.0 GXXX

PRODUCT FEATURES

- manual start-up feature
- smooth running
- very low energy consumption
- integrated night economy feature
- air-vent screw
- convenient operation
- space-saving axially integrated terminal box
- automatic adjustment to pressure conditions
- cataphoretic coated pump housing
- pre-mounted cable (1 m)
- compact design

USE

The electronically controlled HEP Optimo Basic high efficiency wet rotor circulators with permanent magnet technology are designed for use in heating systems with variable or constant rate of flow.

MODE OF OPERATION ΔP CONTROL FOR HEATING SYSTEMS

When thermostatic valves in systems with a long main supply heating pipe (likely for radiator systems) close, the total flow drops. This results in lower pipe resistance in this main pipe, which means the pump has to create lower head. Using proportional pressure mode PP (L) is the preferred setting for such heating systems, as here the pump decreases head at lower flow.

If the main supply heating pipe has not to be taken into consideration, because it is short or has its own pump (likely for underfloor heating systems with in mixing units integrated pumps), the best mode to use is constant pressure mode CP (E). In such heating systems, it is important always to have constant pressure for the radiators or ufh-circuits, as the pressure loss in the main pipe is not considered and all other consumers are installed in parallel, which does not influence the maximum pressure loss.

CONTROL MODES FOR USE IN SOLAR SYSTEMS

As a rule, solar systems are designed for constant flow. High differential pressure at low flow is required. The fixed speed mode (M) is recommended for this. With this setting, the pump generates the highest possible differential pressure.

In the case of solar systems with a variable flow rate, the setting „Constant pressure“ (E) can alternatively be selected. Here, the differential pressure is kept constant regardless of the respective hydraulic situation of the solar system.

The „Proportional pressure“ (L) control mode may only be selected if the solar pump is used in a heating system with thermostatic valves.

Important: High efficiency pumps with electronically commutated motor (ECM) and integrated automatic control - such as the HEP Optimo - cannot be operated via external controls, which control pumps via wave packet or leading edge control.

MAIN AREAS OF USE

Heating, air-conditioning and industry systems as

- dual pipe system
- underfloor heating
- boiler/primary circuit
- storage charging circuit
- solar systems and heating pumps

MATERIALS

Component	Material	Material no.
Pump housing	Grey-cast iron	0.6020
Impeller	Polyamide (PA - GF 35)	
Shaft	Ceramic	
Bearing	Ceramic	
Bearing plate	Stainless steel	1.4301
Can	Stainless steel	1.4301

FLOW MEDIA

- heating water as per VDI 2035
- pure, thin, non-aggressive and non-explosive, mineral oil-free media without solid or long-fibre components
- media with a max. viscosity of 10 mm²/s
- operating data must be checked above 20% glycol

TEMPERATURE RANGE

Ambient temperature:	0 °C to +40 °C
Temperature class:	TF 110
Media temperature:	+2 °C to +110 °C

AMBIENT TEMPERATURE

To avoid condensation forming in the terminal box and stator, the media temperature must always be the same or higher than the ambient temperature.

Ambient temp.	Media temp. min.	Media temp. max.
0	2	95
10	10	95
20	20	95
30	30	95
35	35	90
40	40	70

MOTOR PROTECTION

External motor protection is not required.

INTEGRATED NIGHT ECONOMY FEATURE

When the automatic night economy feature is activated, the circulation pump switches between normal mode and economy mode (characteristic curve MIN). The flow temperature is detected by a temperature sensor, the pump reacts accordingly. For this, it is necessary for the circulation pump to be installed in flow.

MINIMUM INFLOW PRESSURE

Please determine the minimum inflow pressure for corresponding temperature from the following table.

Media temperature	< 75 °C	> 90 °C
Minimum inflow pressure	0.05 bar	0.28 bar

SOUND PRESSURE LEVEL

The sound pressure level is < 45 dB (A).

CHOICE OF CONTROL CHARACTERISTIC

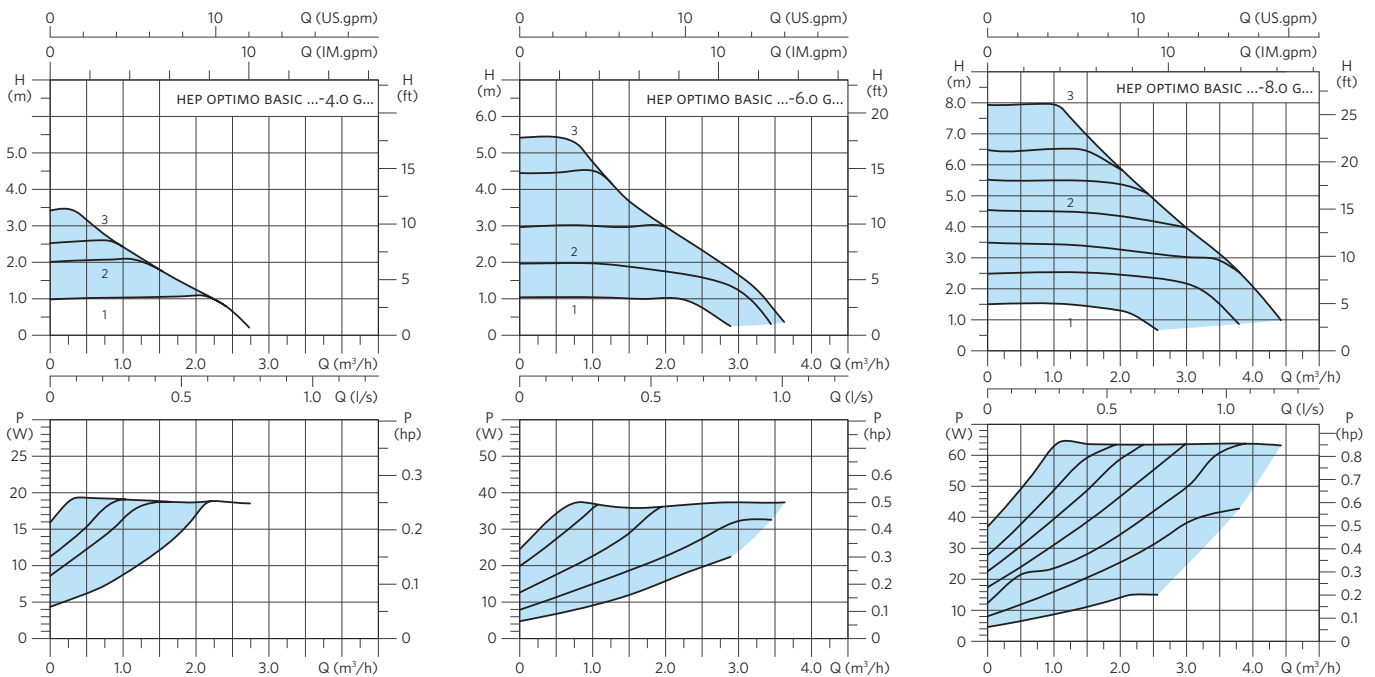
You can set 3 different control modes via the potentiometer on the axial terminal box. Proportional pressure (L), fixed speed (M) and constant pressure (E) can be adjusted continuously variable.



TECHNICAL DATA

	CONNECTION PIPE	THREADED CONNECTION	INSTALLATION LENGTH (MM)	VOLTAGE / FREQUENCY	P1 (W)	I _{MAX} (A)	NET-WEIGHT (KG)	PRODUCT NO.	EEL
HEP OPTIMO BASIC 25-4.0 G180	1"	1½"	180	230 V 50/60 HZ	4 ... 20	0,26	2,7	0623-34204.2-71	≤ 0,17
HEP OPTIMO BASIC 25-6.0 G180	1"	1½"	180	230 V 50/60 HZ	5 ... 37	0,41	2,7	0623-34206.2-71	≤ 0,18
HEP OPTIMO BASIC 25-8.0 G180	1"	1½"	180	230 V 50/60 HZ	6 ... 64	0,61	2,7	0623-34208.2-71	≤ 0,20
HEP OPTIMO BASIC 30-4.0 G180	1¼"	2"	180	230 V 50/60 HZ	4 ... 20	0,26	2,8	0624-34204.2-71	≤ 0,17
HEP OPTIMO BASIC 30-6.0 G180	1¼"	2"	180	230 V 50/60 HZ	5 ... 37	0,41	2,8	0624-34206.2-71	≤ 0,18
HEP OPTIMO BASIC 30-8.0 G180	1¼"	2"	180	230 V 50/60 HZ	6 ... 64	0,61	2,8	0624-34208.2-71	≤ 0,20
HEP OPTIMO BASIC 15-4.0 G130	½"	1"	130	230 V 50/60 HZ	4 ... 20	0,26	2,3	0621-34004.2-71	≤ 0,17
HEP OPTIMO BASIC 15-6.0 G130	½"	1"	130	230 V 50/60 HZ	5 ... 37	0,41	2,3	0621-34006.2-71	≤ 0,18
HEP OPTIMO BASIC 15-8.0 G130	½"	1"	130	230 V 50/60 HZ	6 ... 64	0,61	2,3	0621-34008.2-71	≤ 0,20
HEP OPTIMO BASIC 20-4.0 G130	¾"	1 ¼"	130	230 V 50/60 HZ	4 ... 20	0,26	2,4	0622-34004.2-71	≤ 0,17
HEP OPTIMO BASIC 20-6.0 G130	¾"	1 ¼"	130	230 V 50/60 HZ	5 ... 37	0,41	2,4	0622-34006.2-71	≤ 0,18
HEP OPTIMO BASIC 20-8.0 G130	¾"	1 ¼"	130	230 V 50/60 HZ	6 ... 64	0,61	2,4	0622-34008.2-71	≤ 0,20
HEP OPTIMO BASIC 25-4.0 G130	1"	1½"	130	230 V 50/60 HZ	4 ... 20	0,26	2,5	0623-34004.2-71	≤ 0,17
HEP OPTIMO BASIC 25-6.0 G130	1"	1½"	130	230 V 50/60 HZ	5 ... 37	0,41	2,5	0623-34006.2-71	≤ 0,18
HEP OPTIMO BASIC 25-8.0 G130	1"	1½"	130	230 V 50/60 HZ	6 ... 64	0,61	2,5	0623-34008.2-71	≤ 0,20

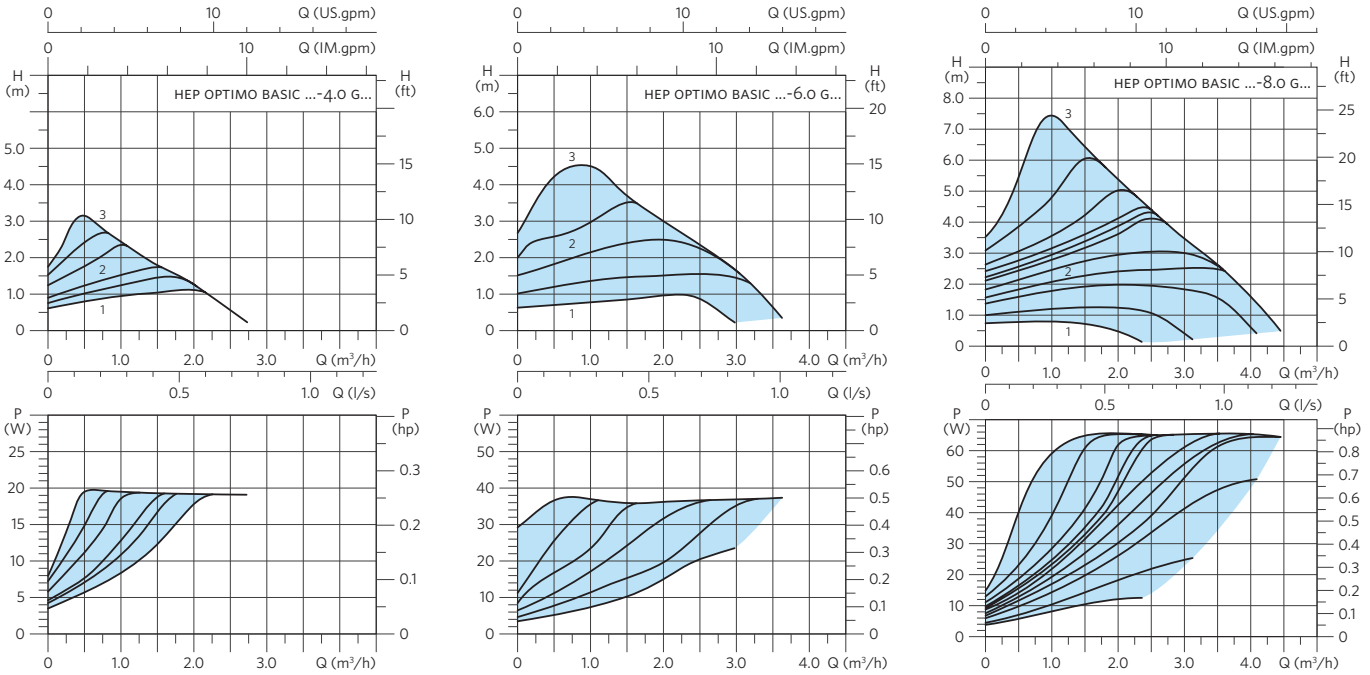
CONSTANT PRESSURE



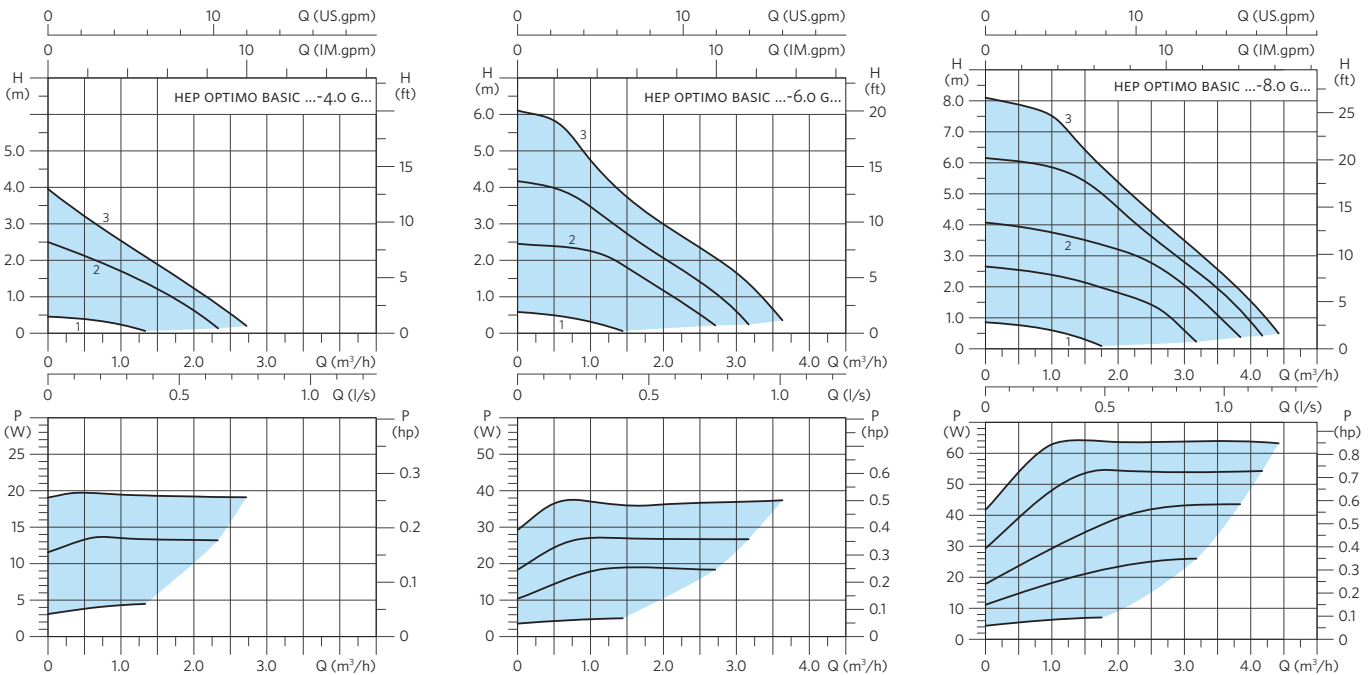
High efficiency pumps, electronically controlled

HEP Optimo Basic series, H1 product group

PROPORTIONAL PRESSURE



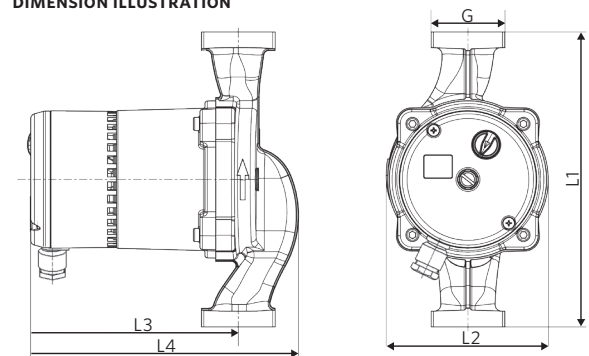
FIXED RPM



DIMENSIONS

TYPE	L1 (MM)	L2 (MM)	L3 (MM)	L4 (MM)
HEP OPTIMO BASIC	130/180	98	127	163

DIMENSION ILLUSTRATION



High efficiency pumps with LED display, electronically controlled

HEP Optimo series, H1 product group



Insulation shell
with installation length
180 mm included
in delivery.

BEST
in class

ERP
2015⁺

TECHNICAL DATA

Rate of flow:	up to 4.4 m ³ /h
Pressure head:	4 m/6 m/8 m
Control range:	4-20 W/5-37 W/6-64 W
Media temperature:	+2 °C to +110 °C
Installation length:	130 and 180 mm
Threaded connection:	1", 1½" and 2"
Protection class:	IP 42
Insulation class:	F
Nominal pressure:	PN 10
Control:	Δpc + Δpv + fixed rpm
EEL:	≤ 0.17 HEP Optimo XX-4.0 GXXX ≤ 0.18 HEP Optimo XX-6.0 GXXX ≤ 0.20 HEP Optimo XX-8.0 GXXX

PRODUCT FEATURES

- manual start-up feature
- smooth running
- very low energy consumption
- integrated night economy feature
- air-vent screw
- LED display
- convenient operation
- space-saving axially integrated terminal box
- automatic adjustment to pressure conditions
- cataphoretic coated pump housing
- pre-mounted, screwable entry-plug
- compact design

USE

The electronically controlled HEP Optimo high efficiency wet rotor circulators with LED display and permanent magnet technology are designed for use in heating and solar systems as well as for boiler storage loading. The cataphoretic coated pump housing is stainless.

MODE OF OPERATION ΔP CONTROL IN HEATING SYSTEMS

When thermostatic valves in systems with a long main supply heating pipe (likely for radiator systems) close, the total flow drops. This results in lower pipe resistance in this main pipe, which means the pump has to create lower head. Using proportional pressure mode (L) is the preferred setting for such heating systems, as here the pump decreases head at lower flow.

If the main supply heating pipe has not to be taken into consideration, because it is short or has its own pump (likely for underfloor heating systems with in mixing units integrated pumps), the best mode to use is constant pressure mode (E). In such heating systems, it is important always to have constant pressure for the radiators or ufh-circuits, as the pressure loss in the main pipe is not considered and all other consumers are installed in parallel, which does not influence the maximum pressure loss.

CONTROL MODES FOR USE IN SOLAR SYSTEMS

As a rule, solar systems are designed for constant flow. High differential pressure at low flow is required. The fixed speed mode (M) is recommended for this. With this setting, the pump generates the highest possible differential pressure.

In the case of solar systems with a variable flow rate, the setting „Constant pressure“ (E) can alternatively be selected. Here, the differential pressure is kept constant regardless of the respective hydraulic situation of the solar system.

The „Proportional pressure“ (L) control mode may only be selected if the solar pump is used in a heating system with thermostatic valves.

Important: High efficiency pumps with electronically commutated motor (ECM) and integrated automatic control - such as the HEP Optimo - cannot be operated via external controls, which control pumps via wave packet or leading edge control. The Armstrong series HEP BB2 is recommended for such cases.

MAIN AREAS OF USE

Heating, air-conditioning and industry systems as

- dual pipe system
- underfloor heating
- boiler/primary circuit
- storage charging circuit
- solar systems and heating pumps

MATERIALS

Component	Material	Material no.
Pump housing	Grey-cast iron	0.6020
Impeller	Polyamide (PA - GF 35)	
Shaft	Ceramic	
Bearing	Ceramic	
Bearing plate	Stainless steel	1.4301
Can	Stainless steel	1.4301

FLOW MEDIA

- heating water as per VDI 2035
- pure, thin, non-aggressive and non-explosive, mineral oil-free media without solid or long-fibre components
- media with a max. viscosity of 10 mm²/s
- operating data must be checked above 20 % glycol

TEMPERATURE RANGE

Ambient temperature:	0 °C to +40 °C
Temperature class:	TF 110
Media temperature:	+2 °C to +110 °C

AMBIENT TEMPERATURE

To avoid condensation forming in the terminal box and stator, the media temperature must always be the same or higher than the ambient temperature.

Ambient temp.	Media temp. min.	Media temp. max.
0	2	110
10	10	110
20	20	110
30	30	95
35	35	90
40	40	70

MOTOR PROTECTION

External motor protection is not required.

INTEGRATED NIGHT ECONOMY FEATURE

When the automatic night economy feature is activated, the circulation pump switches between normal mode and economy mode (characteristic curve MIN). The flow temperature is detected by a temperature sensor, the pump reacts accordingly. For this, it is necessary for the circulation pump to be installed in flow.

MINIMUM INFLOW PRESSURE

Please determine the minimum inflow pressure for corresponding temperature from the following table.

Media temperature	< 75 °C	> 90 °C
Minimum inflow pressure	0.05 bar	0.28 bar

SOUND PRESSURE LEVEL

The sound pressure level is < 45 dB (A).

CHOICE OF CONTROL CHARACTERISTIC

You can set 3 different control modes via the potentiometer on the axial terminal box. Proportional pressure (L), fixed speed (M) and constant pressure (E) can be adjusted continuously variable. The display indicates power consumption in [W] watts. Once the potentiometer is turned, the flashing display first indicates mode of operation and value of set head in [m] meters. If not further turned the display shows the value of power consumption (Watt) and the symbol of the control mode permanently.



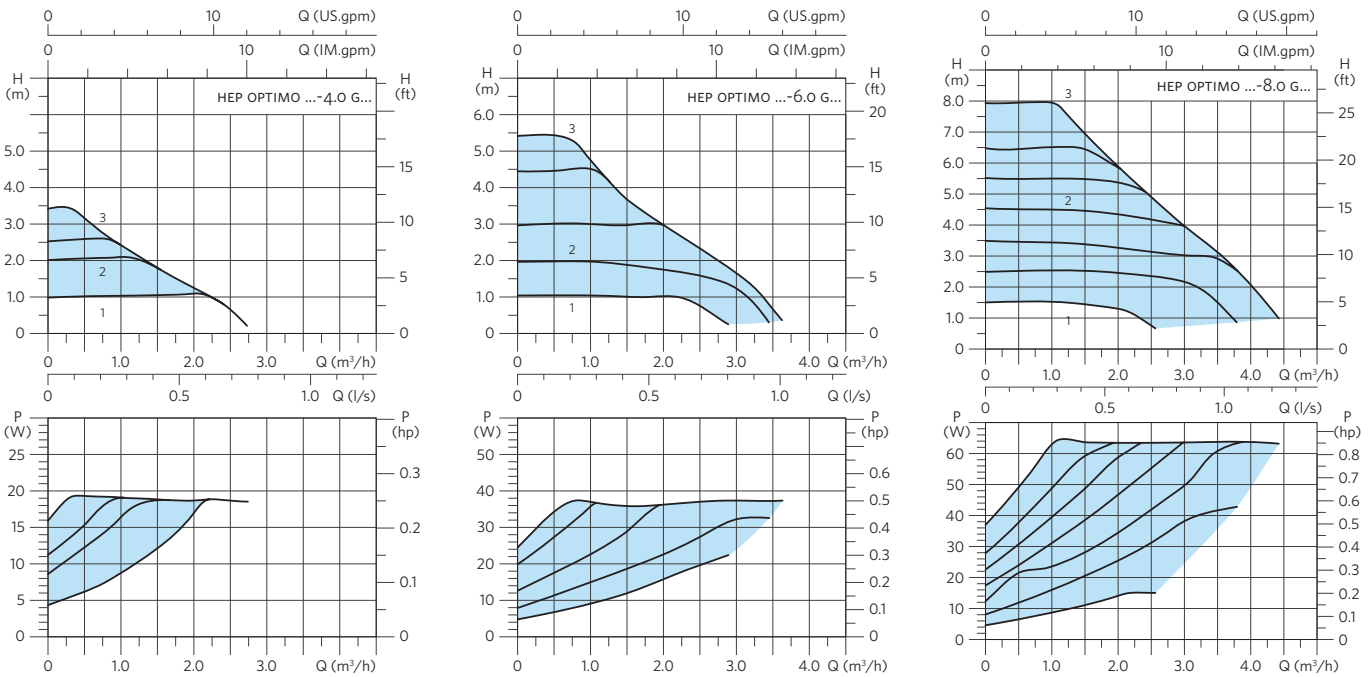
High efficiency pumps with LED display, electronically controlled

HEP Optimo series, H1 product group

TECHNICAL DATA

TYPE	CONNECTION PIPE	THREADED CONNECTION	INSTALLATION LENGTH (MM)	VOLTAGE / FREQUENCY	P1 (W)	I _{MAX} (A)	NET-WEIGHT (KG)	PRODUCT NO.	EEl
HEP OPTIMO 25-4.0 G180	1"	1½"	180	230 V 50/60 HZ	4 ... 20	0,26	2,7	0623-34204.1-71	≤ 0,17
HEP OPTIMO 25-6.0 G180	1"	1½"	180	230 V 50/60 HZ	5 ... 37	0,41	2,7	0623-34206.1-71	≤ 0,18
HEP OPTIMO 25-8.0 G180	1"	1½"	180	230 V 50/60 HZ	6 ... 64	0,61	2,7	0623-34208.1-71	≤ 0,20
HEP OPTIMO 30-4.0 G180	1¼"	2"	180	230 V 50/60 HZ	4 ... 20	0,26	2,8	0624-34204.1-71	≤ 0,17
HEP OPTIMO 30-6.0 G180	1¼"	2"	180	230 V 50/60 HZ	5 ... 37	0,41	2,8	0624-34206.1-71	≤ 0,18
HEP OPTIMO 30-8.0 G180	1¼"	2"	180	230 V 50/60 HZ	6 ... 64	0,61	2,8	0624-34208.1-71	≤ 0,20
HEP OPTIMO 15-4.0 G130	½"	1"	130	230 V 50/60 HZ	4 ... 20	0,26	2,3	0621-34004.1-71	≤ 0,17
HEP OPTIMO 15-6.0 G130	½"	1"	130	230 V 50/60 HZ	5 ... 37	0,41	2,3	0621-34006.1-71	≤ 0,18
HEP OPTIMO 15-8.0 G130	½"	1"	130	230 V 50/60 HZ	6 ... 64	0,61	2,3	0621-34008.1-71	≤ 0,20
HEP OPTIMO 20-4.0 G130	¾"	1¼"	130	230 V 50/60 HZ	4 ... 20	0,26	2,4	0622-34004.1-71	≤ 0,17
HEP OPTIMO 20-6.0 G130	¾"	1¼"	130	230 V 50/60 HZ	5 ... 37	0,41	2,4	0622-34006.1-71	≤ 0,18
HEP OPTIMO 20-8.0 G130	¾"	1¼"	130	230 V 50/60 HZ	6 ... 64	0,61	2,4	0622-34008.1-71	≤ 0,20
HEP OPTIMO 25-4.0 G130	1"	1½"	130	230 V 50/60 HZ	4 ... 20	0,26	2,5	0623-34004.1-71	≤ 0,17
HEP OPTIMO 25-6.0 G130	1"	1½"	130	230 V 50/60 HZ	5 ... 37	0,41	2,5	0623-34006.1-71	≤ 0,18
HEP OPTIMO 25-8.0 G130	1"	1½"	130	230 V 50/60 HZ	6 ... 64	0,61	2,5	0623-34008.1-71	≤ 0,20

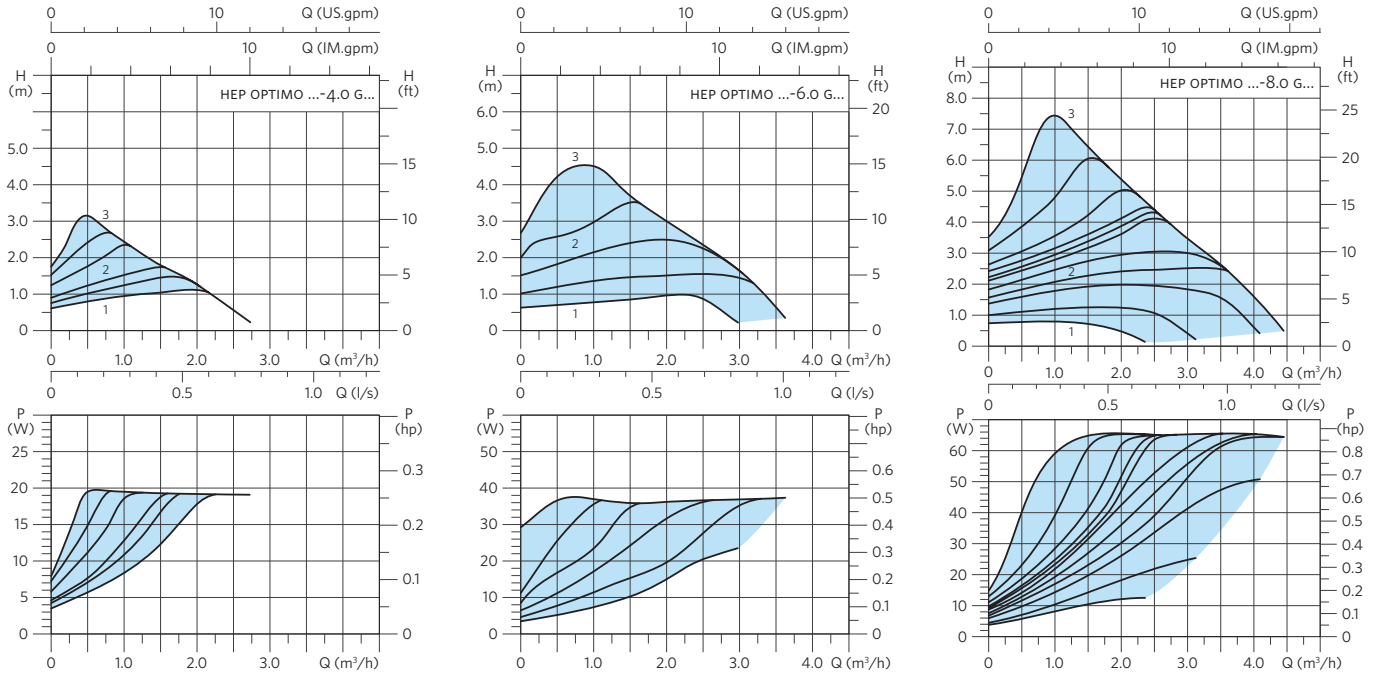
CONSTANT PRESSURE



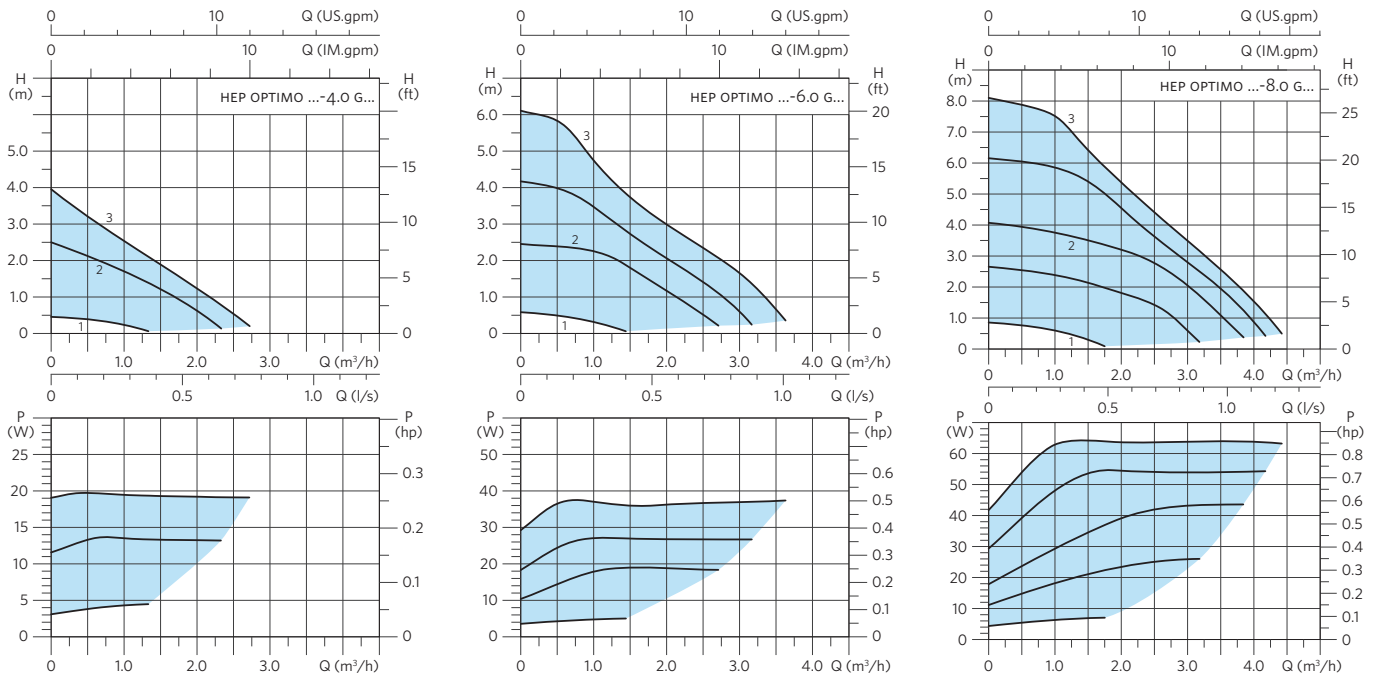
High efficiency pumps with LED display, electronically controlled

HEP Optimo series, H1 product group

PROPORTIONAL PRESSURE



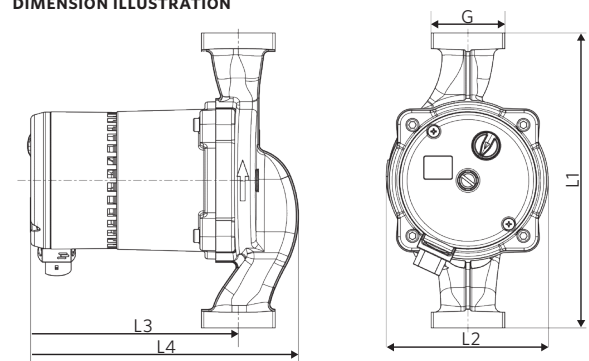
FIXED RPM



DIMENSIONS

TYPE	L1 (MM)	L2 (MM)	L3 (MM)	L4 (MM)
HEP OPTIMO	130/180	98	127	163

DIMENSION ILLUSTRATION



High efficiency pumps with LED display

AGE4 series



TECHNICAL DATA

Rate of flow:	Threaded: up to 9m ³ /h (2.5 l/s) Flanged: up to 83m ³ /h (23.0 l/s)
Pressure head:	6 m/8 m/10 m/12 m/18 m
Control range:	10-90W/10-180W/25-270W/25-480W/25-560W/ 25-1100W/38-1100W/20-1500W/45-1600W
Media temperature:	+2 °C to +110 °C
Installation length:	180 mm (threaded) 220, 250, 280, 340 and 360 mm (flanged)
Circulator connection:	1" and ½" (threaded), DN32, 40, 50, 65, 80 and 100 (flanged)
Protection class:	IP 44
Insulation class:	F
Nominal pressure:	6/10 bar (flanged) 10 bar (threaded)
EEL:	≤ 0.23

Control:

Internal:	<ul style="list-style-type: none"> Constant-pressure Δp_c or proportional-pressure Δp_v control Auto Mode with dynamic differential pressure setpoint adjustment Constant speed control with manual selection
External:	<ul style="list-style-type: none"> 0-10 V external speed control MODBUS RTU or BACNet MS/TP

PRODUCT FEATURES

- LED display
- manual start-up feature
- smooth running
- very low energy consumption
- collective fault signal
- convenient operation
- front facing integrated terminal box
- automatic adjustment to pressure conditions

USE

The Armstrong AGE4 is a high-efficiency, variable speed wet rotor Circulator with ECM technology and permanent magnet rotor. It offers operating flexibility and an industry-leading feature set to support a wide range of heating and cooling applications.

MAIN AREAS OF USE

- heating
- cooling
- plumbing applications

CONTROLS FUNCTION

You can make adjustments with the integrated control keys at the front. The LED display shows the total electrical input power as a numeric value in [W] watts. Different icons at the top of the display show the function, setting and the modes of operation.

MATERIALS

Component	Material	Material no.
Pump housing	Cast Iron	
Impeller	PES	PES GF 30
Shaft	Stainless steel	AISI 420
Bearing	Graphite	
Bearing plate	Stainless steel	
Can	Stainless steel	AISI 316

TEMPERATURE RANGE

Ambient temperature:	0 °C to +40 °C
Temperature class:	TF 110
Media temperature:	+2 °C to +110 °C

AMBIENT TEMPERATURE

Ambient temp.	Media temp. min.	Media temp. max.
Up to 25 °C	-10 °C	110 °C
30 °C	-10 °C	100 °C
35 °C	-10 °C	90 °C
40 °C	-10 °C	80 °C

MOTOR PROTECTION

External motor protection is not required.

MINIMUM INFLOW PRESSURE

Please determine the minimum inflow pressure for corresponding temperature from the following table.

Media temperature	< 80 °C	90 °C
Minimum inflow pressure	0.05 bar	0.28 bar

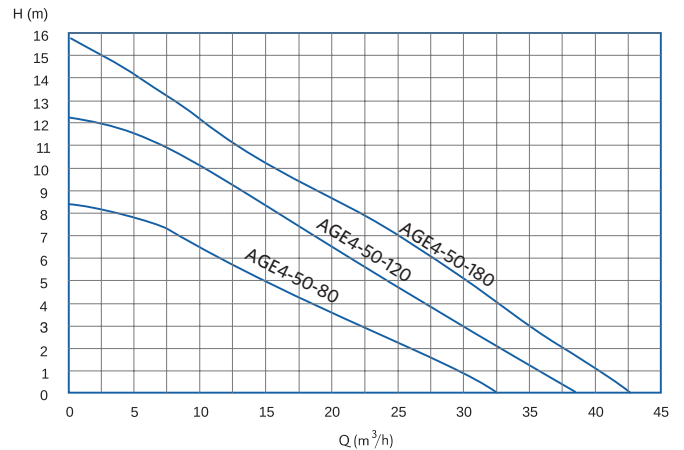
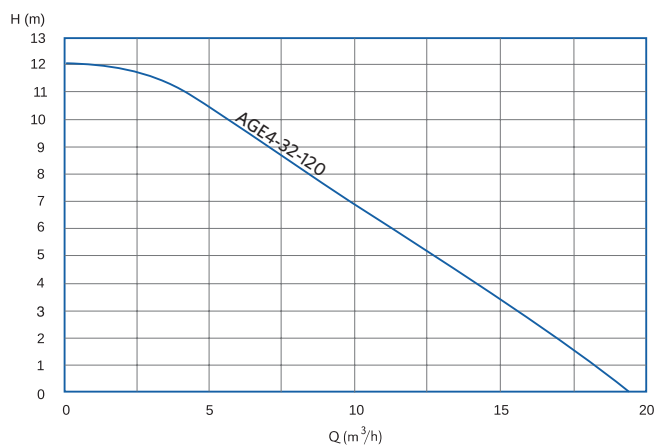
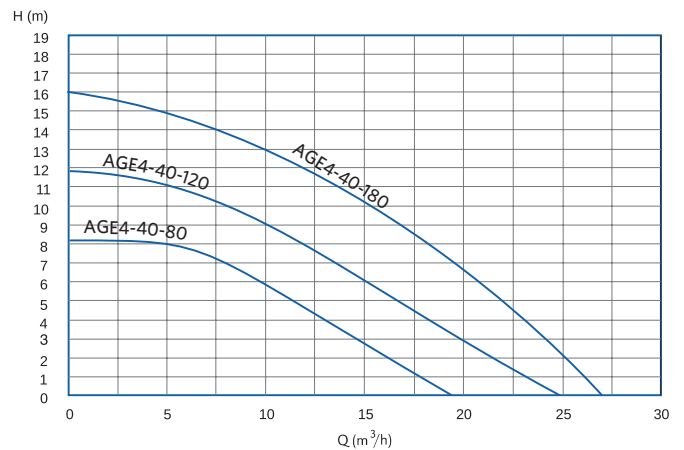
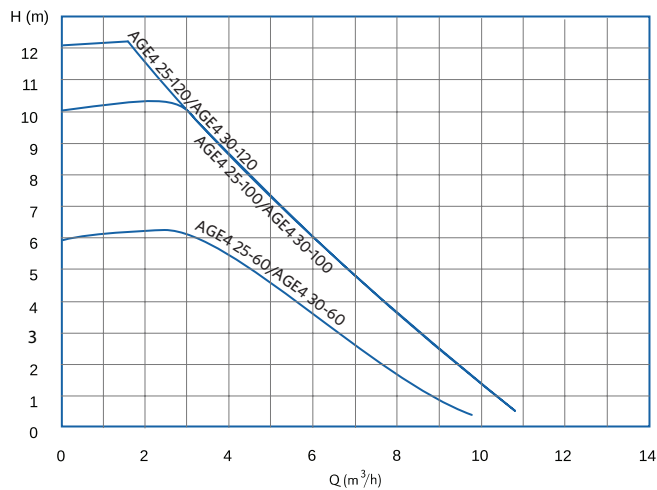
SOUND PRESSURE LEVEL

The sound pressure level is < 43 dB (A).

TECHNICAL DATA

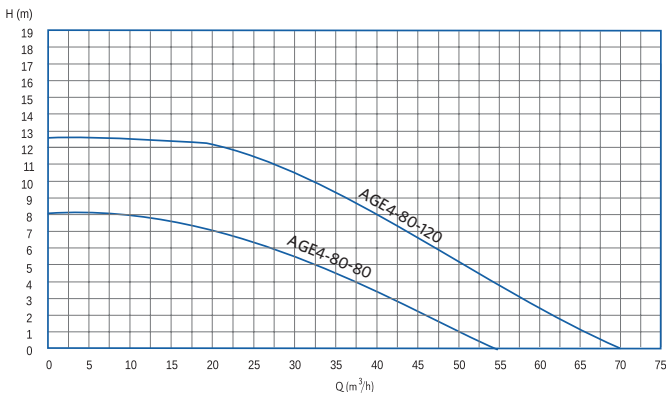
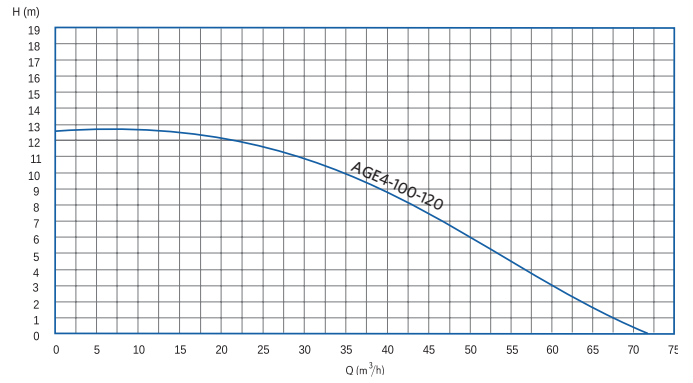
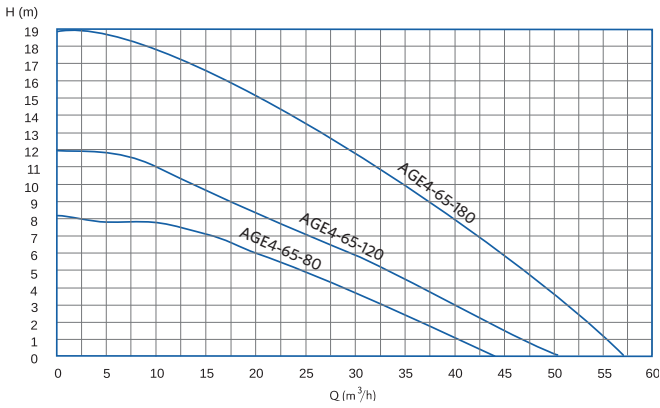
TYPE	CONNECTION PIPE	THREADED CONNECTION	FLANGE	INSTALLATION LENGTH (MM)	VOLTAGE / FREQUENCY	P1 (W)	I _{max} (A)	NET-WEIGHT (KG)	PRODUCT NO.	EEL
AGE4 25-60	RP 1"	G1 ½"		180	230/1/50	10 ... 90	0,75	3.2	0323-95206-71	≤ 0.21
AGE4 25-100	RP 1"	G1 ½"		180	230/1/50	10 ... 180	1,5	3.2	0323-95210-71	≤ 0.21
AGE4 25-120	RP 1"	G1 ½"		180	230/1/50	10 ... 180	1,5	3.2	0323-95212-71	≤ 0.21
AGE4 30-60	RP 1¼"	G2"		180	230/1/50	10 ... 90	0,75	3.5	0324-95206-71	≤ 0.21
AGE4 30-100	RP 1¼"	G2"		180	230/1/50	10 ... 180	1,5	3.5	0324-95210-71	≤ 0.21
AGE4 30-120	RP 1¼"	G2"		180	230/1/50	10 ... 180	1,5	3.5	0324-95212-71	≤ 0.21
AGE4 32-120	DN 32		DN 32	220	230/1/50	25 ... 480	1,5	11.7	0324-95312-71	≤ 0.21
AGE4 40-80	DN 40		DN 40	220	230/1/50	25 ... 270	3,8	13.16	0325-95308-71	≤ 0.21
AGE4 40-120	DN 40		DN 40	220	230/1/50	25 ... 480	3,8	13.4	0325-95412-71	≤ 0.21
AGE4 40-180	DN 40		DN 40	220	230/1/50	25 ... 1100	3,8	13.4	0325-95418-71	≤ 0.23
AGE4 50-80	DN 50		DN 50	280	230/1/50	25 ... 270	3,8	14.5	0326-95508-71	≤ 0.22
AGE4 50-120	DN 50		DN 50	280	230/1/50	25 ... 560	3,8	14.5	0326-95512-71	≤ 0.21
AGE4 50-180	DN 50		DN 50	280	230/1/50	25 ... 1100	4,8	14.5	0326-95518-71	≤ 0.23
AGE4 65-80	DN 65		DN 65	340	230/1/50	25 ... 560	3,8	17.9	0327-95608-71	≤ 0.22
AGE4 65-120	DN 65		DN 65	340	230/1/50	38 ... 1100	4,8	18.4	0327-95612-71	≤ 0.23
AGE4 65-180	DN 65		DN 65	340	230/1/50	20 ... 1500	6,7	23.8	0327-95618-71	≤ 0.23
AGE4 80-80	DN 80		DN 80	360	230/1/50	45 ... 1600	6,9	24.8	0328-95708-71	≤ 0.23
AGE4 80-120	DN 80		DN 80	360	230/1/50	45 ... 1600	6,9	30	0328-95712-71	≤ 0.23
AGE4 100-120	DN 100		DN 100	360	230/1/50	45 ... 1600	6,9	35.1	0329-95818-71	≤ 0.23

PERFORMANCE CURVES



High efficiency pumps with LED display

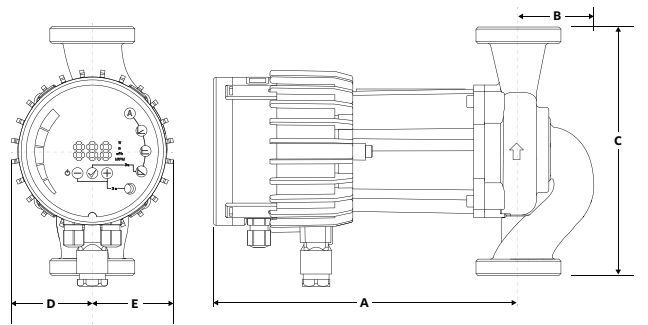
AGE4 series



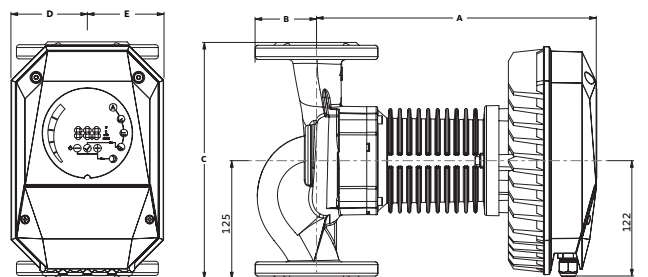
DIMENSIONS

TYPE	A (MM)	B (MM)	C (MM)	D (MM)	E (MM)
AGE4 25-60	180	95	180	58.5	58.5
AGE4 25-100	180	95	180	58.5	58.5
AGE4 25-120	180	95	180	58.5	58.5
AGE4 30-60	180	95	180	58.5	58.5
AGE4 30-100	180	95	180	58.5	58.5
AGE4 30-120	180	95	180	58.5	58.5
AGE4 32-120	296	65	220	80.5	80.5
AGE4 40-80	296	65	220	80.5	80.5
AGE4 40-120	296	65	250	80.5	80.5
AGE4 40-180	306	65	250	80.5	80.5
AGE4 50-80	287	72	280	80.5	92
AGE4 50-120	287	72	280	80.5	92
AGE4 50-180	297	72	280	80.5	92
AGE4 65-80	297	75	340	92.5	103
AGE4 65-120	307	75	340	92.5	103
AGE4 65-180	359	75	340	94.5	103
AGE4 80-80	317	93	360	98	123
AGE4 80-120	369	93	360	123.4	98.3
AGE4 100-120	403	110	360	105	125

DIMENSION ILLUSTRATION (THREADED VERSION)



DIMENSION ILLUSTRATION (FLANGE VERSION)



**TECHNICAL DATA**

Rate of flow:	Threaded: up to 12m ³ /h (3.3 l/s) Flanged: up to 83m ³ /h (23.0 l/s)
Pressure head:	6 m/8 m/10 m/12 m/18 m
Control range:	10-90W/10-180W/25-270W/25-480W/25-560W/ 25-1100W/38-1100W/20-1500W/45-1600W
Media temperature:	+2 °C to +110 °C
Installation length:	180, 220, 250, 280, 340 and 360 mm
Circulator connection:	2" (threaded) DN32, 40, 50, 65, 80 (flanged)
Protection class:	IP 44
Insulation class:	F
Nominal pressure:	6/10 bar (flanged) 10 bar (threaded)
EEl:	≤ 0.23

Control:

Internal:	<ul style="list-style-type: none"> Constant-pressure Δp or proportional-pressure Δp control Auto Mode with dynamic differential pressure setpoint adjustment Constant speed control with manual selection
External:	<ul style="list-style-type: none"> 0-10 V external speed control MODBUS RTU or BACnet MS/TP

PRODUCT FEATURES

- LED display
- manual start-up feature
- smooth running
- very low energy consumption
- collective fault signal
- convenient operation
- front facing integrated terminal box
- automatic adjustment to pressure conditions

USE

The Armstrong AGE4 D is a twin casing circulator for duty/standby operation. It is a high-efficiency, variable speed wet rotor Circulator with ECM technology and permanent magnet rotor. It offers operating flexibility and an industry-leading feature set to support a wide range of heating and cooling applications.

MAIN AREAS OF USE

- heating
- cooling
- plumbing applications

CONTROLS FUNCTION

You can make adjustments with the integrated control keys at the front. The LED display shows the total electrical input power as a numeric value in [W] watts. Different icons at the top of the display show the function, setting and the modes of operation.

MATERIALS

Component	Material	Material no.
Pump housing	Cast Iron	
Impeller	PES	PES GF 30
Shaft	Stainless steel	AISI 420
Bearing	Graphite	
Bearing plate	Stainless steel	
Can	Stainless steel	AISI 316

TEMPERATURE RANGE

Ambient temperature:	0 °C to +40 °C
Temperature class:	TF 110
Media temperature:	+2 °C to +110 °C

AMBIENT TEMPERATURE

Ambient temp.	Media temp. min.	Media temp. max.
Up to 25 °C	-10 °C	110 °C
30 °C	-10 °C	100 °C
35 °C	-10 °C	90 °C
40 °C	-10 °C	80 °C

MOTOR PROTECTION

External motor protection is not required.

MINIMUM INFLOW PRESSURE

Please determine the minimum inflow pressure for corresponding temperature from the following table.

Media temperature	< 80 °C	90 °C
Minimum inflow pressure	0.05 bar	0.28 bar

SOUND PRESSURE LEVEL

The sound pressure level is < 43 dB (A).

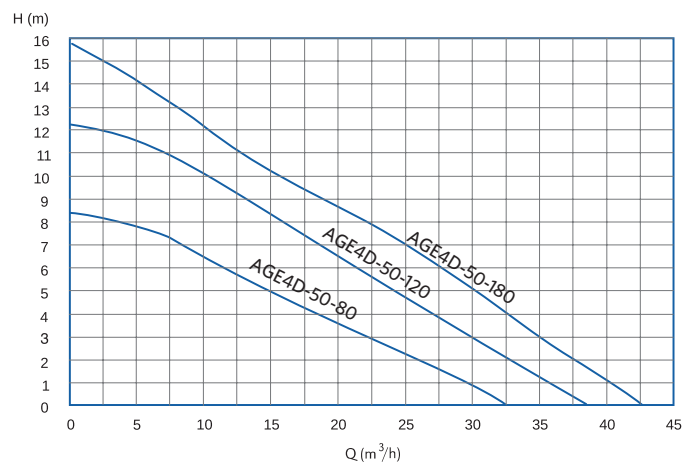
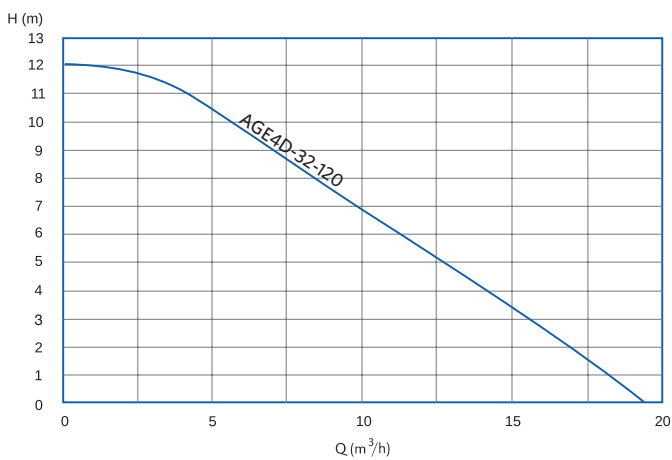
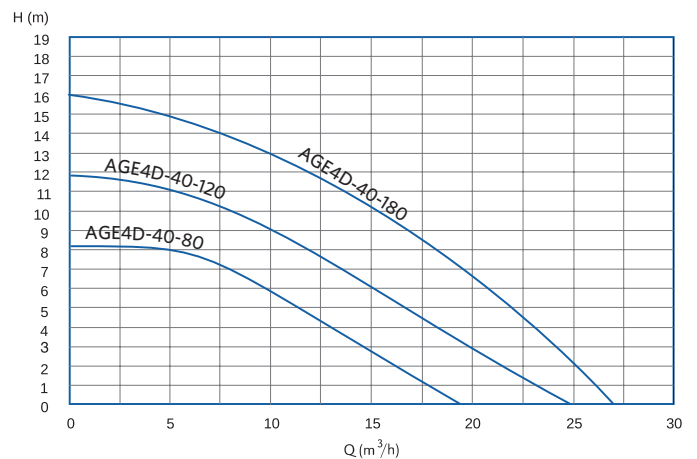
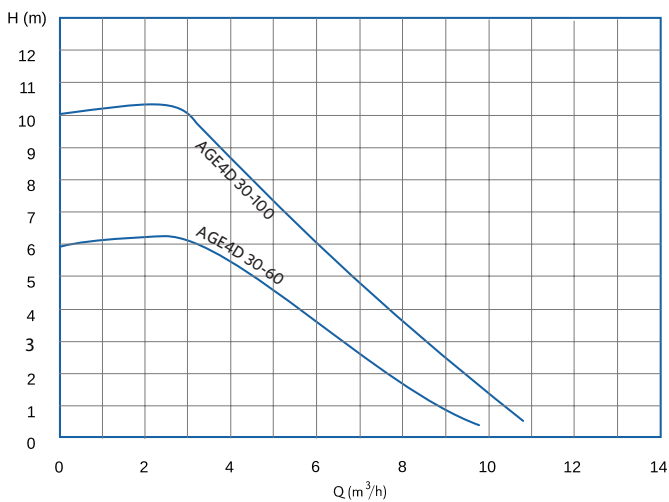
High efficiency pumps with LED display and twin pump single casing

AGE4 D series

TECHNICAL DATA

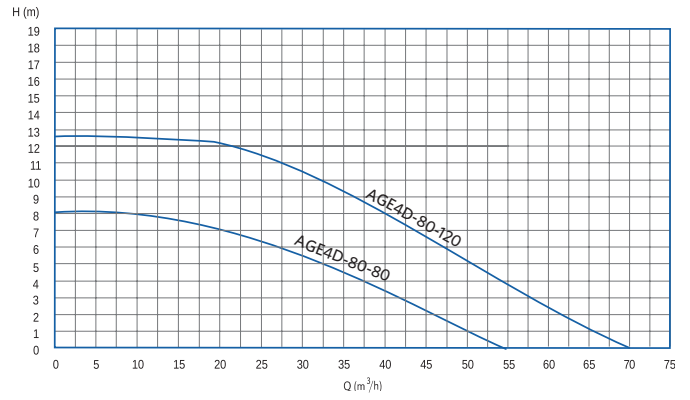
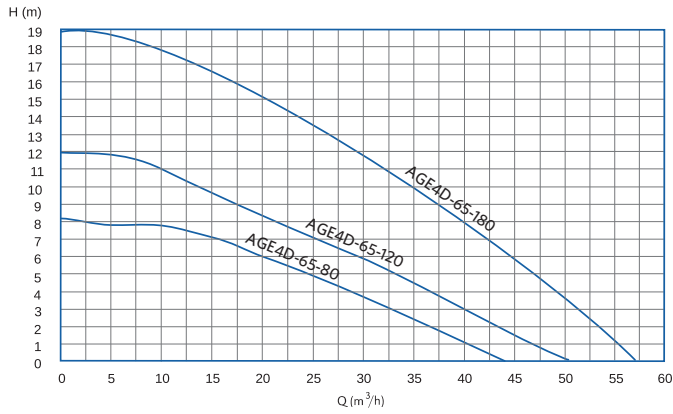
TYPE	CONNECTION PIPE	THREADED CONNECTION	FLANGE	INSTALLATION LENGTH (MM)	VOLTAGE / FREQUENCY	P1 (W)	I _{max} (A)	NET-WEIGHT (KG)	PRODUCT NO.	EEL
AGE4D 30-60	RP 1¼"	G2"		180	230/1/50	10 ... 90	0,75	8,2	0424-95206-71	≤ 0.21
AGE4D 30-100	RP 1¼"	G2"		180	230/1/50	10 ... 180	1,5	8,6	0424-95210-71	≤ 0.21
AGE4D 32-120	DN 32		DN 32	220	230/1/50	25 ... 480	1,5	21,5	0424-95312-71	≤ 0.22
AGE4D 40-80	DN 40		DN 40	220	230/1/50	25 ... 270	3,8	23,2	0425-95308-71	≤ 0.21
AGE4D 40-120	DN 40		DN 40	220	230/1/50	25 ... 480	3,8	23,5	0425-95412-71	≤ 0.21
AGE4D 40-180	DN 40		DN 40	220	230/1/50	25 ... 1100	3,8	23,5	0425-95418-71	≤ 0.23
AGE4D 50-80	DN 50		DN 50	280	230/1/50	25 ... 270	3,8	27,5	0426-95508-71	≤ 0.22
AGE4D 50-120	DN 50		DN 50	280	230/1/50	25 ... 480	3,8	27,5	0426-95512-71	≤ 0.21
AGE4D 50-180	DN 50		DN 50	280	230/1/50	25 ... 1100	4,8	27,5	0426-95518-71	≤ 0.23
AGE4D 65-80	DN 65		DN 65	340	230/1/50	25 ... 560	3,8	35,9	0427-95608-71	≤ 0.22
AGE4D 65-120	DN 65		DN 65	340	230/1/50	38 ... 1100	4,8	35,9	0427-95612-71	≤ 0.23
AGE4D 65-180	DN 65		DN 65	340	230/1/50	20 ... 1500	6,7	47,5	0427-95618-71	≤ 0.23
AGE4D 80-80	DN 80		DN 80	360	230/1/50	45 ... 1600	6,9	45,6	0428-95708-71	≤ 0.23
AGE4D 80-120	DN 80		DN 80	360	230/1/50	45 ... 1600	6,9	55,7	0428-95712-71	≤ 0.23

PERFORMANCE CURVES



High efficiency pumps with LED display and twin pump single casing

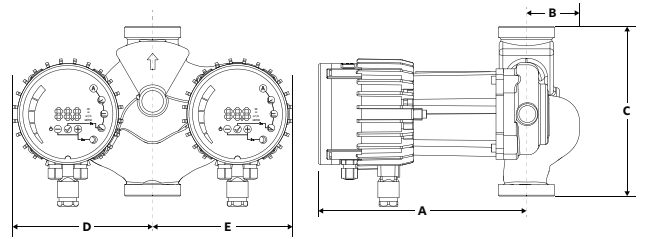
AGE4 D series



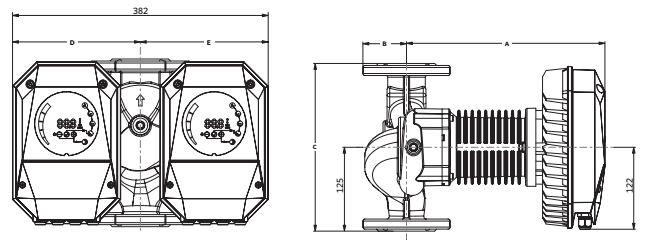
DIMENSIONS (CIRCULATOR DIMENSIONS IN MM)

TYPE	A (MM)	B (MM)	C (MM)	D (MM)	E (MM)
AGE4D 30-60	222	56	180	149	149
AGE4D 30-100	222	56	180	149	149
AGE4D 32-120	296	65	180	191	191
AGE4D 40-80	296	65	220	191	191
AGE4D 40-120	296	65	250	191	191
AGE4D 40-180	306	65	250	191	191
AGE4D 50-80	287	72	280	195	202
AGE4D 50-120	287	72	280	195	202
AGE4D 50-180	297	72	280	195	202
AGE4D 65-80	297	75	340	215	225
AGE4D 65-120	305	75	340	215	225
AGE4D 65-180	357	75	340	216	226
AGE4D 80-80	317	93	360	240	252
AGE4D 80-120	369	93	360	241	253

DIMENSION ILLUSTRATION (THREADED VERSION)



DIMENSION ILLUSTRATION (FLANGE VERSION)



Standard heating circulation pumps, speed step switch (3-step)

HUPA series, H3 product group



TECHNICAL DATA

Rate of flow:	up to 3.8 m ³ /h
Pressure head:	up to 7 m
Media temperature:	+2 °C to +110 °C
Installation length:	130 and 180 mm
Threaded connection:	1", 1½" and 2"
Protection class:	IP 44
Insulation class:	H
Nominal pressure:	PN 10
Control:	3-step switch with manual speed selection

PRODUCT FEATURES

- manual start-up feature
- energy-optimised
- space-saving axially integrated terminal box
- cathaphoretic coated pump housing

USE

The HUPA series circulation pumps are wet rotor circulators designed for use in heating systems with constant or weakly variable flow rates. With the 3-step rotary switch and the finely graded default programme, almost every working point on a system can be set economically.

MAIN AREAS OF USE

Heating, air-conditioning and industry systems as

- dual pipe system
- single pipe systems
- underfloor heating
- boiler/primary circuit
- storage charging circuit

MATERIALS

Component	Material	Material no.
Pump housing	Grey-cast iron	0.6020
Impeller	Polyamide (PA - GF 35)	
Shaft	Ceramic	
Bearing	Ceramic	
Bearing plate	Stainless steel	14.301
Can	Stainless steel	14.301

FLOW MEDIA

- heating water as per VDI 2035
- pure, thin, non-aggressive and non-explosive, mineral oil-free media without solid or long-fibre components
- media with a max. viscosity of 10 mm²/s
- operating data must be checked above 20 % glycol

TEMPERATURE RANGE

Ambient temperature:	0 °C to +40 °C
Temperature class:	TF 110
Media temperature:	+2 °C to +110 °C

AMBIENT TEMPERATURE

To avoid condensation forming in the terminal box and stator, the media temperature must always be the same or higher than the ambient temperature.

Ambient temp.	Media temp. min.	Media temp. max.
0	2	110
10	10	110
20	20	110
30	30	110
35	35	110
40	40	110

MOTOR PROTECTION

External motor protection is not required.

SPEED SWITCHING

The respective speed is set via a rotary switch integrated in the axial terminal box.

MINIMUM INFLOW PRESSURE

Please determine the minimum inflow pressure for corresponding temperature from the following table.

Media temperature	< 85 °C	90 °C	110 °C
Minimum inflow pressure	0.05 bar	0.3 bar	1.10 bar

SOUND PRESSURE LEVEL

The sound pressure level is < 45 dB (A).

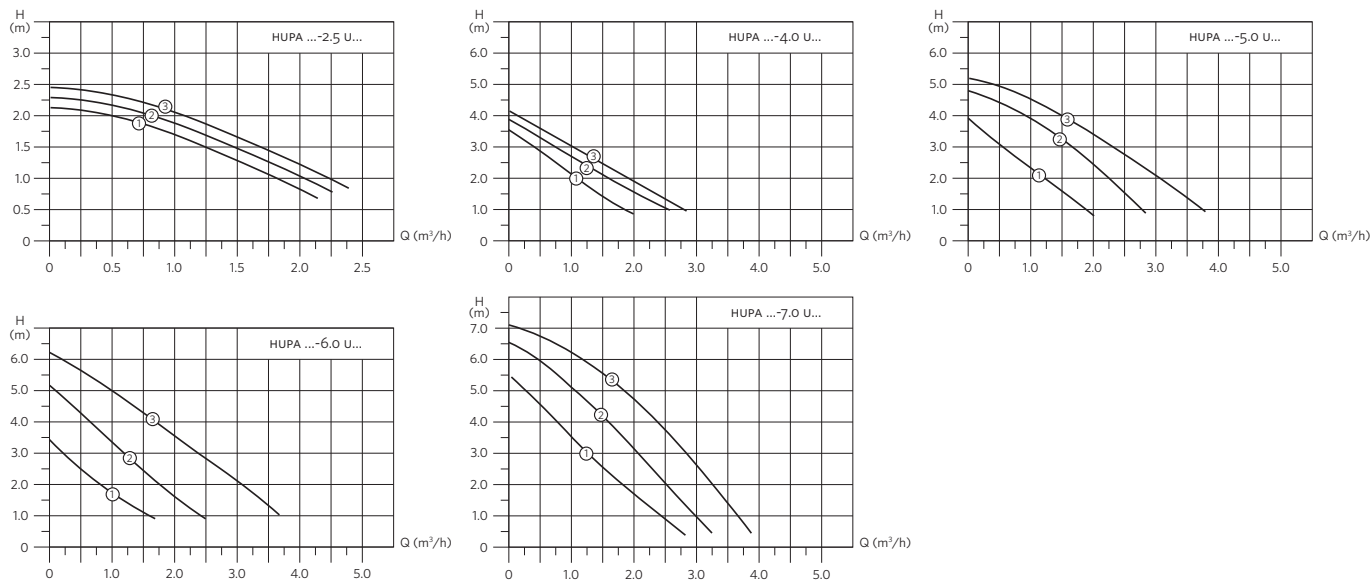
Standard heating circulation pumps, speed step switch (3-step)

HUPA series, H3 product group

TECHNICAL DATA

TYPE	CONNECTION PIPE	THREADED CONNECTION	INSTALLATION LENGTH (MM)	VOLTAGE / FREQUENCY	P1 (W)	I _{max} (A)	NET-WEIGHT (KG)	PRODUCT NO.
HUPA 15-2.5 U130	½"	1"	130	230	27 ... 35	0.12 ... 0.15	2.6	0321-33003-71
HUPA 15-4.0 U130	½"	1"	130	230	33 ... 44	0.14 ... 0.19	2.6	0321-33004-71
HUPA 15-5.0 U130	½"	1"	130	230	43 ... 77	0.19 ... 0.34	2.6	0321-33005-71
HUPA 15-6.0 U130	½"	1"	130	230	43 ... 80	0.19 ... 0.34	2.6	0321-33006-71
HUPA 15-7.0 U130	½"	1"	130	230	54 ... 93	0.24 ... 0.41	2.6	0321-33007-71
HUPA 20-2.5 U130	¾"	1 ¼"	130	230	27 ... 35	0.12 ... 0.15	2.6	0322-33003-71
HUPA 20-4.0 U130	¾"	1 ¼"	130	230	33 ... 44	0.14 ... 0.19	2.6	0322-33004-71
HUPA 20-5.0 U130	¾"	1 ¼"	130	230	43 ... 77	0.19 ... 0.34	2.6	0322-33005-71
HUPA 20-6.0 U130	¾"	1 ¼"	130	230	43 ... 80	0.19 ... 0.34	2.6	0322-33006-71
HUPA 20-7.0 U130	¾"	1 ¼"	130	230	54 ... 93	0.24 ... 0.41	2.6	0322-33007-71
HUPA 25-2.5 U130	1"	1 ½"	130	230	27 ... 35	0.12 ... 0.15	2.6	0323-33003-71
HUPA 25-4.0 U130	1"	1 ½"	130	230	33 ... 44	0.14 ... 0.19	2.6	0323-33004-71
HUPA 25-5.0 U130	1"	1 ½"	130	230	43 ... 77	0.19 ... 0.34	2.6	0323-33005-71
HUPA 25-6.0 U130	1"	1 ½"	130	230	43 ... 80	0.19 ... 0.34	2.6	0323-33006-71
HUPA 25-7.0 U130	1"	1 ½"	130	230	54 ... 93	0.24 ... 0.41	2.6	0323-33007-71
HUPA 25-2.5 U180	1"	1 ½"	180	230	27 ... 35	0.12 ... 0.15	2.7	0323-33203-71
HUPA 25-4.0 U180	1"	1 ½"	180	230	33 ... 44	0.14 ... 0.19	2.7	0323-33204-71
HUPA 25-5.0 U180	1"	1 ½"	180	230	43 ... 77	0.19 ... 0.34	2.7	0323-33205-71
HUPA 25-6.0 U180	1"	1 ½"	180	230	43 ... 80	0.19 ... 0.34	2.8	0323-33206-71
HUPA 25-7.0 U180	1"	1 ½"	180	230	54 ... 93	0.24 ... 0.41	2.8	0323-33207-71
HUPA 30-2.5 U180	1 ¼"	2"	180	230	27 ... 35	0.12 ... 0.15	2.8	0324-33203-71
HUPA 30-4.0 U180	1 ¼"	2"	180	230	33 ... 44	0.14 ... 0.19	2.8	0324-33204-71
HUPA 30-5.0 U180	1 ¼"	2"	180	230	43 ... 77	0.19 ... 0.34	2.8	0324-33205-71
HUPA 30-6.0 U180	1 ¼"	2"	180	230	43 ... 80	0.19 ... 0.34	2.8	0324-33206-71
HUPA 30-7.0 U180	1 ¼"	2"	180	230	54 ... 93	0.24 ... 0.41	2.8	0324-33207-71

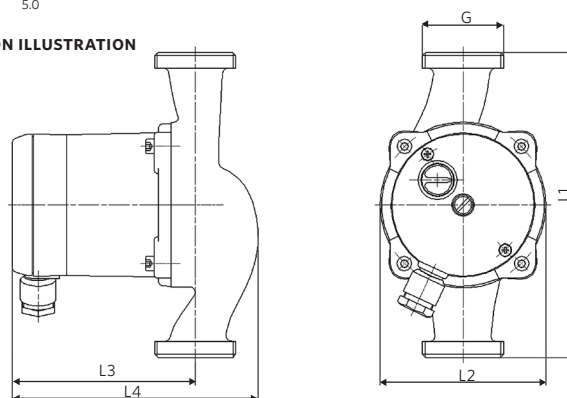
PERFORMANCE CURVES



DIMENSIONS

TYPE	L1 (MM)	L2 (MM)	L3 (MM)	L4 (MM)
BUPA (N)	130/150/180	98	108	145

DIMENSION ILLUSTRATION



Standard heating circulation pumps, speed step switch (3-step)

HLP series, H4 product group



TECHNICAL DATA

Rate of flow:	up to 7 m ³ /h
Pressure head:	up to 7 m
Media temperature:	-10 °C to +110 °C
Installation length:	180 mm
Threaded connection:	1½" und 2"
Protection class:	IP 42
Insulation class:	H
Nominal pressure:	PN 10
Control:	3-step switch with manual speed selection

PRODUCT FEATURES

- manual start-up feature
- smooth running
- convenient operation
- space-saving axially integrated terminal box
- compact design

USE

The HLP series circulation pumps are specially designed for heating systems in which large pressure heads and capacities are equally required. These circulation pumps are designed for use in heating systems with variable or constant flow rates. The HLP circulation pumps meet the energy efficiency standard class D.

MAIN AREAS OF USE

Heating, air-conditioning and industry systems as

- dual pipe system
- boiler/primary circuit
- storage charging circuit

MATERIALS

Component	Material	Material no.
Pump housing	Grey-cast iron	0.6020
Impeller	Polyamide (PA - GF 35)	
Shaft	Ceramic	
Bearing	Ceramic	
Bearing plate	Stainless steel	1.4301
Can	Stainless steel	1.4301

FLOW MEDIA

- heating water
- pure, thin, non-aggressive and non-explosive, mineral oil-free media without solid particles or fibres
- media with a max. viscosity of 10 mm²/s
- operating data must be checked above 20 % glycol

TEMPERATURE RANGE

Ambient temperature:	0 °C to +40 °C
Temperature class:	TF 110
Media temperature:	-10 °C to +110 °C

AMBIENT TEMPERATURE

To avoid condensation forming in the terminal box and stator, the media temperature must always be the same or higher than the ambient temperature.

Ambient temp.	Media temp. min.	Media temp. max.
0	2	110
10	10	110
20	20	110
30	30	110
35	35	110
40	40	110

MOTOR PROTECTION

External motor protection is not required.

SPEED SWITCHING

Three speed, with manual selector. The respective speed is set via rotary switch integrated in the terminal board.

MINIMUM INFLOW PRESSURE

Please determine the minimum inflow pressure for corresponding temperature from the following table.

Media temperature	< 85 °C	90 °C	110 °C
Minimum inflow pressure	0.05 bar	0.3 bar	1.10 bar

SOUND PRESSURE LEVEL

The sound pressure level is < 45 dB (A).

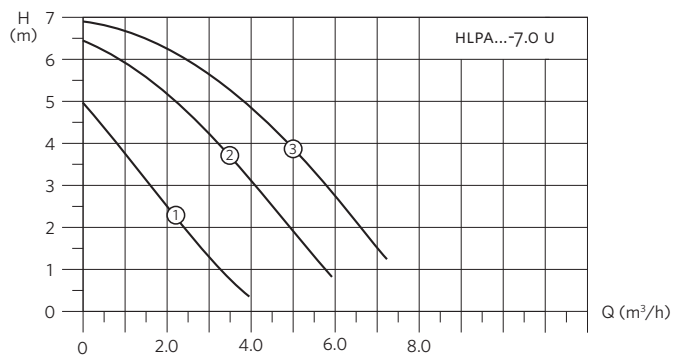
Standard heating circulation pumps, speed step switch (3-step)

HLPA series, H4 product group

TECHNICAL DATA

TYPE	CONNECTION PIPE	THREADED CONNECTION	INSTALLATION LENGTH (MM)	VOLTAGE / FREQUENCY	P1 (W)	I _{MAX} (A)	NET-WEIGHT (KG)	PRODUCT NO.
HLPA 25-7.0 U 180	1"	1½"	180	230	95 ...190	0.42 ... 0.85	4.5	0323-63207-71
HLPA 30-7.0 U 180	1¼"	2"	180	230	95 ...190	0.42 ... 0.85	4.5	0324-63207-71

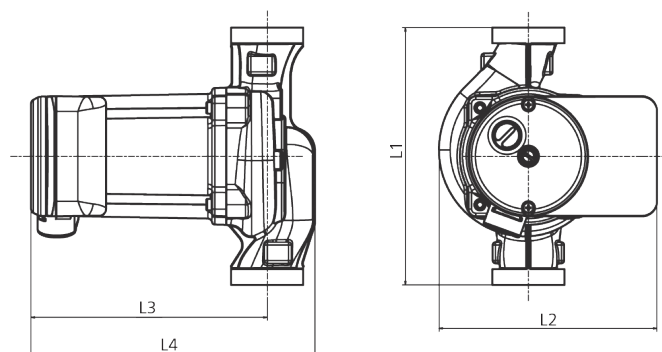
PERFORMANCE CURVES



DIMENSIONS

TYPE	L1 (MM)	L2 (MM)	L3 (MM)	L4 (MM)
HLPA	180	153	165	199

DIMENSION ILLUSTRATION



Heating circulation pumps, speed step switch (3-step), pressure head 7-12 m

HGPA series, H5 product group



TECHNICAL DATA

Rate of flow:	up to 12 m ³ /h
Pressure head:	up to 12 m
Media temperature:	+2 °C to +110 °C
Installation length:	180 mm
Threaded connection:	1½" and 2"
Protection class:	IP 44
Insulation class:	H
Nominal pressure:	PN 10
Control:	3-step switch with manual speed selection

PRODUCT FEATURES

- manual start-up feature
- smooth running
- convenient operation
- space-saving axially integrated terminal box
- compact design

USE

The HGPA series circulation pumps are specially designed for heating systems in which large pressure heads and capacities are equally required. These circulation pumps are designed for use in heating systems with variable or constant flow rates.

MAIN AREAS OF USE

Heating, air-conditioning and industry systems as

- dual pipe system
- underfloor heating
- boiler/primary circuit
- storage charging circuit

MATERIALS

Component	Material	Material no.
Pump housing	Grey-cast iron	0.6020
Impeller	Polypropylene (PP - GF 50)	
Shaft	Ceramic	
Bearing	Ceramic	
Bearing plate	Brass	20.401
Can	Stainless steel	14.301

FLOW MEDIA

- heating water as per VDI 2035
- pure, thin, non-aggressive and non-explosive, mineral oil-free media without solid or long-fibre components
- media with a max. viscosity of 10 mm²/s
- operating data must be checked above 20 % glycol

TEMPERATURE RANGE

Ambient temperature:	0 °C to +40 °C
Temperature class:	TF 110
Media temperature:	+2 °C to +110 °C

AMBIENT TEMPERATURE

To avoid condensation forming in the terminal box and stator, the media temperature must always be the same or higher than the ambient temperature.

Ambient temp.	Media temp. min.	Media temp. max.
0	2	110
10	10	110
20	20	110
30	30	110
35	35	110
40	40	110

MOTOR PROTECTION

External motor protection is not required.

SPEED SWITCHING

The respective speed is set via a rotary switch integrated in the axial terminal box.

MINIMUM INFLOW PRESSURE

Please determine the minimum inflow pressure for corresponding temperature from the following table.

Media temperature	< 85 °C	90 °C	110 °C
Minimum inflow pressure	0.05 bar	0.3 bar	1.10 bar

SOUND PRESSURE LEVEL

The sound pressure level is < 45 dB (A).

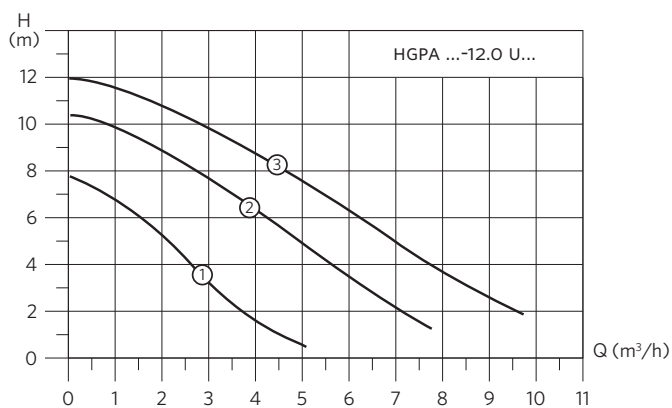
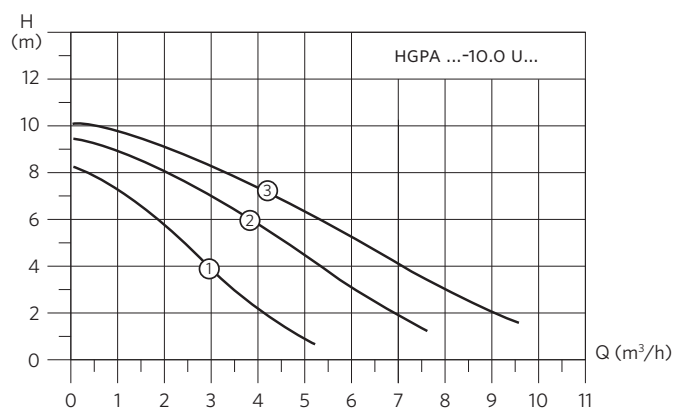
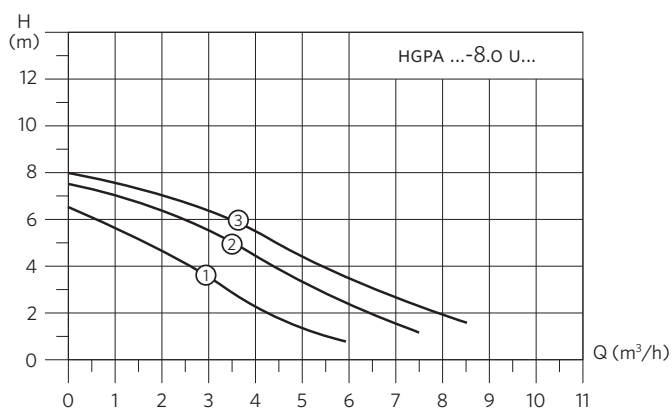
Heating circulation pumps, speed step switch (3-step), pressure head 7-12 m

HGPA series, H5 product group

TECHNICAL DATA

TYPE	CONNECTION PIPE	THREADED CONNECTION	INSTALLATION LENGTH (MM)	VOLTAGE / FREQUENCY	P1 (W)	I _{MAX} (A)	NET-WEIGHT (KG)	PRODUCT NO.
HGPA 25-8.0 U180	1"	1½"	180	230	260 ... 286	1.23 ... 1.25	6.5	0323-41208-71
HGPA 25-10.0 U180	1"	1½"	180	230	283 ... 357	1.35 ... 1.56	6.5	0323-41210-71
HGPA 25-12.0 U180	1"	1½"	180	230	285 ... 400	1.36 ... 1.73	6.5	0323-41212-71
HGPA 30-8.0 U180	1¼"	2"	180	230	260 ... 286	1.23 ... 1.25	6.6	0324-41208-71
HGPA 30-10.0 U180	1¼"	2"	180	230	283 ... 357	1.35 ... 1.56	6.6	0324-41210-71
HGPA 30-12.0 U180	1¼"	2"	180	230	285 ... 400	1.36 ... 1.73	6.6	0324-41212-71

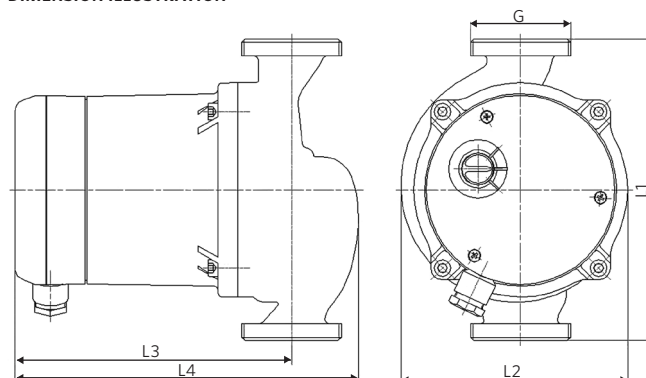
PERFORMANCE CURVES



DIMENSIONS

TYPE	L1 (MM)	L2 (MM)	L3 (MM)	L4 (MM)
BGPA (N)	180	135.5	166	206

DIMENSION ILLUSTRATION



Heating circulation pumps with flanged connection, speed step switch, pressure head up to 7 m

HGPA series, H5 product group



TECHNICAL DATA

Rate of flow:	up to 17 m ³ /h
Pressure head:	up to 7 m
Media temperature:	+2 °C to +110 °C
Installation length:	250 mm
Flanged connection:	DN 40
Protection class:	IP 44
Insulation class:	H
Nominal pressure:	PN 10
Control:	3-step switch with manual speed selection

PRODUCT FEATURES

- manual start-up feature
- smooth running
- convenient operation
- space-saving axially integrated terminal box
- compact design

USE

The HGPA series circulation pumps are specially designed for heating systems in which large pressure heads and capacities are equally required. These circulation pumps are designed for use in heating systems with variable or constant flow rates.

MAIN AREAS OF USE

Heating, air-conditioning and industry systems as

- dual pipe system
- underfloor heating
- boiler/primary circuit
- storage charging circuit

MATERIALS

Component	Material	Material no.
Pump housing	Grey-cast iron	0.6020
Impeller	Polyamide (PA - GF 35)	
Shaft	Ceramic	
Bearing	Ceramic	
Bearing plate	Stainless steel	14.301
Can	Stainless steel	14.301

FLOW MEDIA

- heating water as per VDI 2035
- pure, thin, non-aggressive and non-explosive, mineral oil-free media without solid or long-fibre components
- media with a max. viscosity of 10 mm²/s
- operating data must be checked above 20 % glycol

TEMPERATURE RANGE

Ambient temperature:	0 °C to +40 °C
Temperature class:	TF 110
Media temperature:	+2 °C to +110 °C

AMBIENT TEMPERATURE

To avoid condensation forming in the terminal box and stator, the media temperature must always be the same or higher than the ambient temperature.

Ambient temp.	Media temp. min.	Media temp. max.
0	2	110
10	10	110
20	20	110
30	30	110
35	35	110
40	40	110

MOTOR PROTECTION

External motor protection is not required.

SPEED SWITCHING

The respective speed is set via a rotary switch integrated in the axial terminal box.

MINIMUM INFLOW PRESSURE

Please determine the minimum inflow pressure for corresponding temperature from the following table.

Media temperature	< 85 °C	90 °C	110 °C
Minimum inflow pressure	0.05 bar	0.3 bar	1.10 bar

SOUND PRESSURE LEVEL

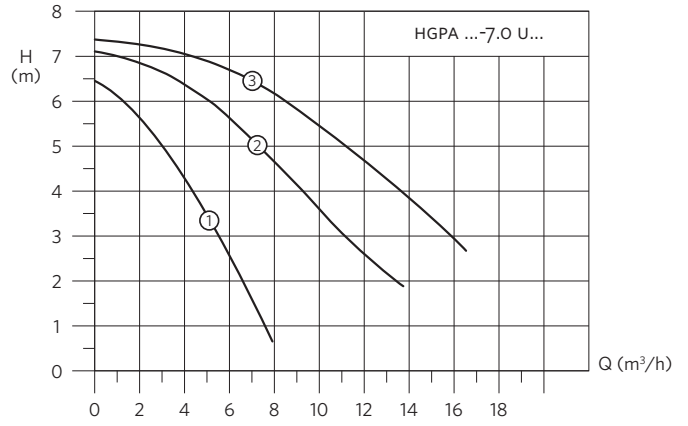
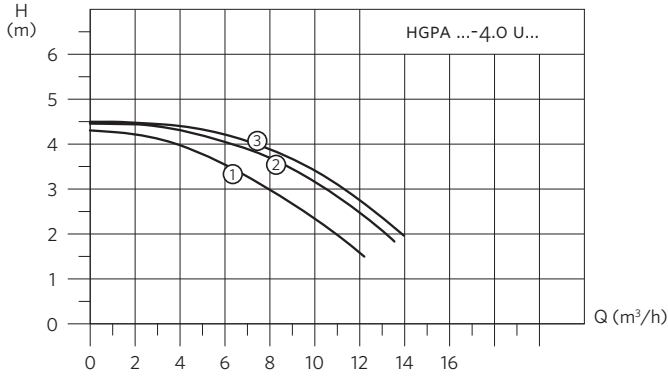
The sound pressure level is < 45 dB (A).

Heating circulation pumps with flanged connection, speed step switch, pressure head up to 7 m HGPA series, H5 product group

TECHNICAL DATA

TYPE	FLANGED CONNECTION	INSTALLATION LENGTH (MM)	VOLTAGE / FREQUENCY	P1 (W)	I _{MAX} (A)	NET-WEIGHT (KG)	PRODUCT NO.
HGPA 40-4.0 U 250 (1-)	40	250	230	225 ... 260	1.02 ... 1.11	9.6	0325-41204-71
HGPA 40-7.0 U 250 (1-)	40	250	230	315 ... 395	1.45 ... 1.68	9.6	0325-41207-71

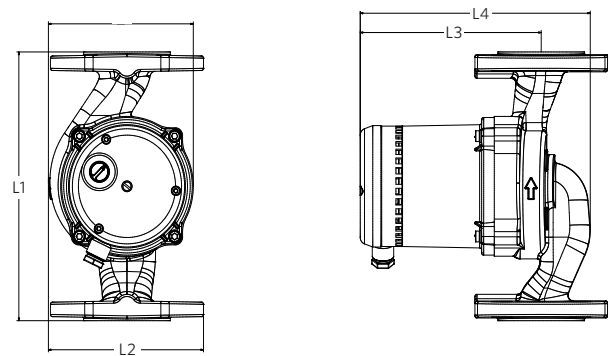
PERFORMANCE CURVES



DIMENSIONS

TYPE	L1 (MM)	L2 (MM)	L3 (MM)	L4 (MM)
HGPA (FLANGE)	250	152	177	226

DIMENSION ILLUSTRATION



Standard circulation pumps for drinking water with stainless steel housing

BUPA (N) series, T3 product group



TECHNICAL DATA

Rate of flow:	up to 4.0 m ³ /h
Pressure head:	up to 6 m
Media temperature:	+2 °C to +110 °C
Installation length:	130, 150 and 180 mm
Threaded connection:	1", 1¼" and 1½"
Protection class:	IP 44
Insulation class:	H
Nominal pressure:	PN 10
Control:	3-step switch with manual speed selection

PRODUCT FEATURES

- manual start-up feature
- space-saving axially integrated terminal box

USE

The BUPA (N) series circulation pumps are wet rotor circulators designed for use in drinking water systems with constant or weakly variable flow rates. They feature a corrosion-resistant pump housing in stainless steel and are thus suitable for use in drinking water circulation systems.

MATERIALS

Component	Material	Material no.
Pump housing	Stainless steel	1.4308
Impeller	PSU - GF 20	
Shaft	Ceramic	
Bearing	Ceramic	
Bearing plate	Stainless steel	1.4301
Can	Stainless steel	1.4301

TEMPERATURE RANGE

Ambient temperature:	0 °C to +40 °C
Temperature class:	TF 110
Media temperature:	+2 °C to +110 °C

AMBIENT TEMPERATURE

To avoid condensation forming in the terminal box and stator, the media temperature must always be the same or higher than the ambient temperature.

Ambient temp.	Media temp. min.	Media temp. max.
0	2	110
10	10	110
20	20	110
30	30	110
35	35	110
40	40	110

MOTOR PROTECTION

External motor protection is not required.

SPEED SWITCHING

The respective speed is set via a rotary switch integrated in the axial terminal box.

MINIMUM INFLOW PRESSURE

Please determine the minimum inflow pressure for corresponding temperature from the following table.

Media temperature	< 85 °C	90 °C	110 °C
Minimum inflow pressure	0.05 bar	0.3 bar	1.10 bar

SOUND PRESSURE LEVEL

The sound pressure level is < 45 dB (A).

FLOW MEDIA

Only for drinking water up to a temperature of 65 °C and a max. degree of hardness of 14 °dH (temporary hardness).

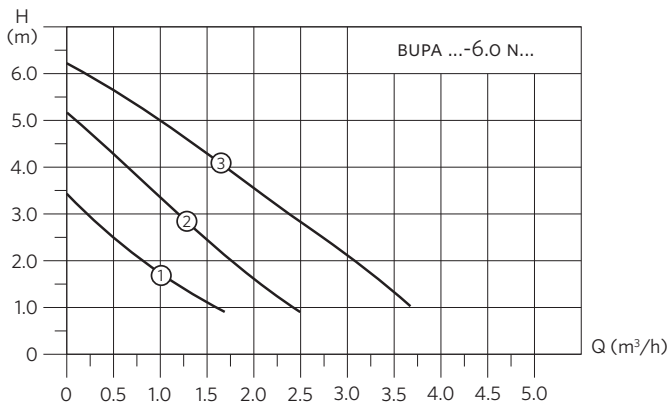
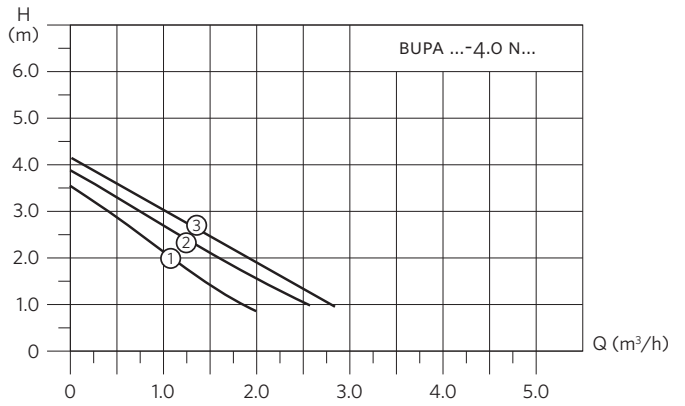
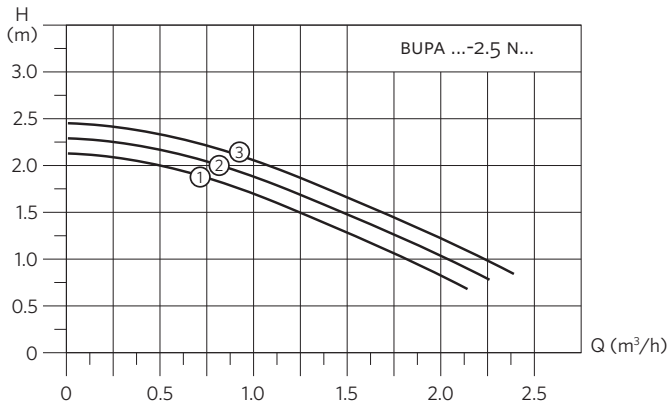
Standard circulation pumps for drinking water with stainless steel housing

BUPA (N) series, T3 product group

TECHNICAL DATA

TYPE	CONNECTION PIPE	THREADED CONNECTION	INSTALLATION LENGTH (MM)	VOLTAGE / FREQUENCY	P1 (W)	I _{MAX} (A)	NET-WEIGHT (KG)	PRODUCT NO.
BUPA 25-2.5 N180	1"	1½"	180	230 V 50/60 HZ	27 ... 35	0,15	2,4	0353-30203-71
BUPA 25-4.0 N180	1"	1½"	180	230 V 50/60 HZ	33 ... 44	0,19	2,4	0353-30204-71
BUPA 25-6.0 N180	1"	1½"	180	230 V 50/60 HZ	43 ... 80	0,34	2,7	0353-30206-71
BUPA 15-2.5 N130	½"	1"	130	230 V 50/60 HZ	27 ... 35	0,15	2,0	0351-30003-71
BUPA 15-4.0 N130	½"	1"	130	230 V 50/60 HZ	33 ... 44	0,19	2,0	0351-30004-71
BUPA 15-6.0 N130	½"	1"	130	230 V 50/60 HZ	43 ... 80	0,34	2,3	0351-30006-71
BUPA 20-2.5 N150	¾"	1¼"	150	230 V 50/60 HZ	27 ... 35	0,15	2,1	0352-30103-71
BUPA 20-4.0 N150	¾"	1¼"	150	230 V 50/60 HZ	33 ... 44	0,19	2,1	0352-30104-71
BUPA 20-6.0 N150	¾"	1¼"	150	230 V 50/60 HZ	43 ... 80	0,34	2,4	0352-30106-71
BUPA 25-2.5 N130	1"	1½"	130	230 V 50/60 HZ	27 ... 35	0,15	2,2	0353-30003-71
BUPA 25-4.0 N130	1"	1½"	130	230 V 50/60 HZ	33 ... 44	0,19	2,2	0353-30004-71
BUPA 25-6.0 N130	1"	1½"	130	230 V 50/60 HZ	43 ... 80	0,34	2,5	0353-30006-71

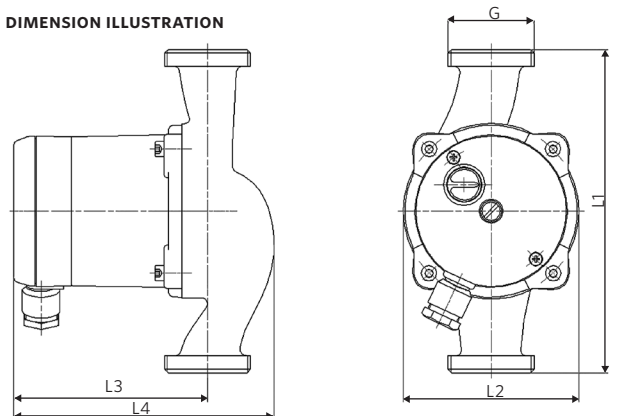
PERFORMANCE CURVES



DIMENSIONS

TYPE	L1	L2	L3	L4
BUPA (N)	130/150/180	98	108	145

DIMENSION ILLUSTRATION



High efficiency pumps with stainless steel housing, electronically controlled

HEP Optimo Basic (N) series, T1 product group



BEST
in class

ERP
2015⁺

TECHNICAL DATA

Rate of flow:	up to 3.6 m ³ /h
Pressure head:	4 m/6 m
Control range:	4-20 W/5-37 W
Media temperature:	+2 °C to +110 °C
Installation length:	130, 150 and 180 mm
Threaded connection:	1", 1½" and 2"
Protection class:	IP 42
Insulation class:	F
Nominal pressure:	PN 10
Control:	Δpc + Δpv + fixed rpm
EEl:	≤ 0.17 HEP Optimo Basic XX-4.0 NXXX ≤ 0.18 HEP Optimo Basic XX-6.0 NXXX

PRODUCT FEATURES

- manual start-up feature
- smooth running
- very low energy consumption
- integrated night economy feature
- air-vent screw
- convenient operation
- space-saving axially integrated terminal box
- automatic adjustment to pressure conditions
- stainless steel pump housing

USE

The electronically controlled HEP Optimo (N) high efficiency wet rotorcirculators with LED display and permanent magnet technology are redesigned for use in heating and solar systems as well as drinking water systems with variable or constant rate of flow.

MODE OF OPERATION ΔP CONTROL IN HEATING SYSTEMS

When thermostatic valves in systems with a long main supply heating pipe (likely for radiator systems) close, the total flow drops. This results in lower pipe resistance in this main pipe, which means the pump has to create lower head. Using proportional pressure mode PP (L) is the preferred setting for such heating systems, as here the pump decreases head at lower flow.

If the main supply heating pipe has not to be taken into consideration, because it is short or has its own pump (likely for underfloor heating systems with in mixing units integrated pumps or drinking water systems), the best mode to use is constant pressure mode CP (E). In such heating systems, it is important always to have constant pressure for the radiators or ufh-circuits, as the pressure loss in the main pipe is not considered and all other consumers are installed in parallel, which does not influence the maximum pressure loss.

CONTROL MODES FOR USE IN SOLAR SYSTEMS

As a rule, solar systems are designed for constant flow. High differential pressure at low flow is required. The fixed speed mode (■) is recommended for this. With this setting, the pump generates the highest possible differential pressure.

In the case of solar systems with a variable flow rate, the setting „Constant pressure“ (E) can alternatively be selected. Here, the differential pressure is kept constant regardless of the respective hydraulic situation of the solar system.

The „Proportional pressure“ (L) control mode may only be selected if the solar pump is used in a heating system with thermostatic valves.

Important: High efficiency pumps with electronically commutated motor (ECM) and integrated automatic control - such as the HEP Optimo - cannot be operated via external controls, which control pumps via wave packet or leading edge control. The Armstrong series HEP BB2 is recommended for such cases.

MAIN AREAS OF USE

- drinking water systems with fixed speed mode (Display indicates ■)

MATERIALS

Component	Material	Material no.
Pump housing	Stainless steel	1.4308
Impeller	Polyamide (PA - GF 35)	
Shaft	Ceramic	
Bearing	Ceramic	
Bearing plate	Stainless steel	1.4301
Can	Stainless steel	1.4301

FLOW MEDIA

- drinking water up to a temperature of 65 °C and a degree of hardness of 14 °dH (temporary hardness)
- heating water as per VDI 2035
- pure, thin, non-aggressive and non-explosive, mineral oil-free media without solid or long-fibre components
- media with a max. viscosity of 10 mm²/s
- operating data must be checked above 20 % glycol

TEMPERATURE RANGE

Ambient temperature:	0 °C to +40 °C
Temperature class:	TF 110
Media temperature:	+2 °C to +110 °C

AMBIENT TEMPERATURE

To avoid condensation forming in the terminal box and stator, the media temperature must always be the same or higher than the ambient temperature.

Ambient temp.	Media temp. min.	Media temp. max.
0	2	95
10	10	95
20	20	95
30	30	95
35	35	90
40	40	70

MOTOR PROTECTION

External motor protection is not required.

INTEGRATED NIGHT ECONOMY FEATURE

When the automatic night economy feature is activated, the circulation pump switches between normal mode and economy mode (characteristic curve MIN). The flow temperature is detected by a temperature sensor, the pump reacts accordingly. For this, it is necessary for the circulation pump to be installed in flow.

MINIMUM INFLOW PRESSURE

Please determine the minimum inflow pressure for corresponding temperature from the following table.

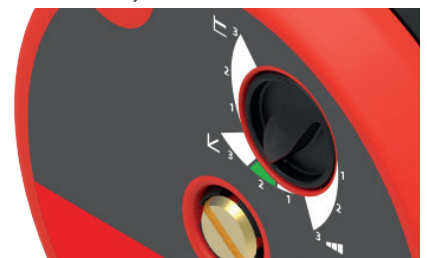
Media temperature	< 75 °C	> 90 °C
Minimum inflow pressure	0.05 bar	0.28 bar

SOUND PRESSURE LEVEL

The sound pressure level is < 45 dB (A).

CHOICE OF CONTROL CHARACTERISTIC

You can set 3 different control modes via the potentiometer on the axial terminal box. Proportional pressure (L), fixed speed (■) and constant pressure (E) can be adjusted continuously variable.



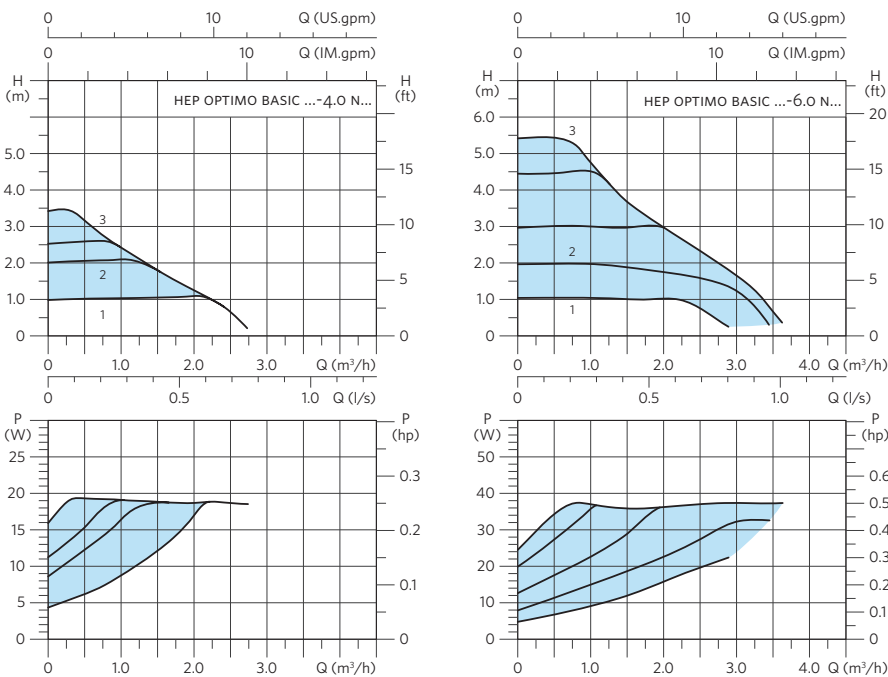
High efficiency pumps with stainless steel housing, electronically controlled

HEP Optimo Basic (N) series, T1 product group

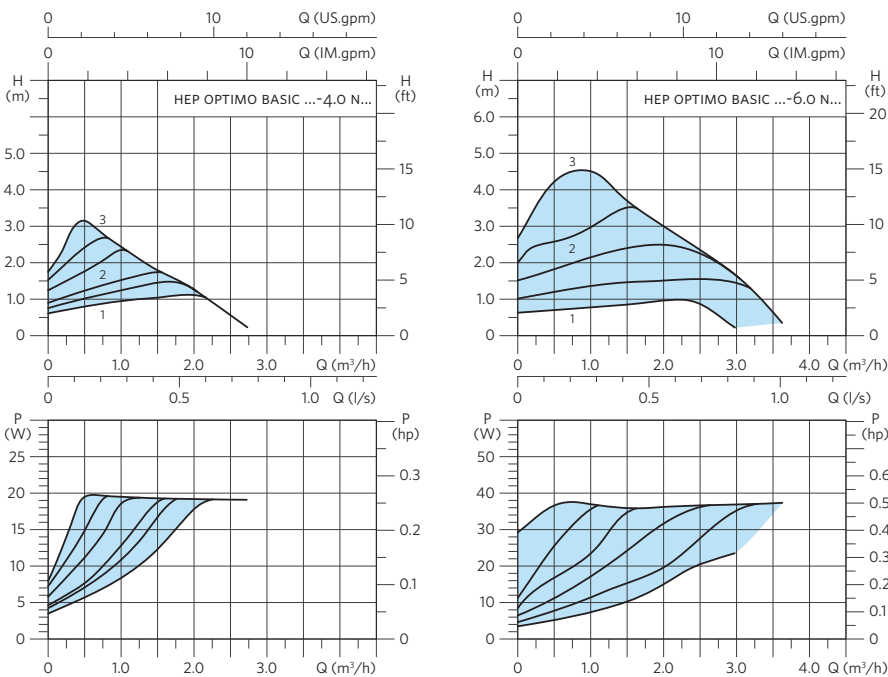
TECHNICAL DATA

TYPE	CONNECTION PIPE	THREADED CONNECTION	INSTALLATION LENGTH (MM)	VOLTAGE / FREQUENCY	P1 (W)	I _{MAX} (A)	NET-WEIGHT (KG)	PRODUCT NO.	EEL
HEP OPTIMO BASIC 25-4.0 N180	1"	1½"	180	230 V 50/60 HZ	4 ... 20	0,26	2,5	0653-34204.2-71	≤ 0,17
HEP OPTIMO BASIC 25-6.0 N180	1"	1½"	180	230 V 50/60 HZ	5 ... 37	0,41	2,5	0653-34206.2-71	≤ 0,18
HEP OPTIMO BASIC 15-4.0 N130	½"	1"	130	230 V 50/60 HZ	4 ... 20	0,26	2,2	0651-34004.2-71	≤ 0,17
HEP OPTIMO BASIC 15-6.0 N130	½"	1"	130	230 V 50/60 HZ	5 ... 37	0,41	2,2	0651-34006.2-71	≤ 0,18
HEP OPTIMO BASIC 20-4.0 N150	¾"	1 ¼"	150	230 V 50/60 HZ	4 ... 20	0,26	2,3	0652-34104.2-71	≤ 0,17
HEP OPTIMO BASIC 20-6.0 N150	¾"	1 ¼"	150	230 V 50/60 HZ	5 ... 37	0,41	2,3	0652-34106.2-71	≤ 0,18
HEP OPTIMO BASIC 25-4.0 N130	1"	1½"	130	230 V 50/60 HZ	4 ... 20	0,26	2,5	0653-34004.2-71	≤ 0,17
HEP OPTIMO BASIC 25-6.0 N130	1"	1½"	130	230 V 50/60 HZ	5 ... 37	0,41	2,5	0653-34006.2-71	≤ 0,18

CONSTANT PRESSURE



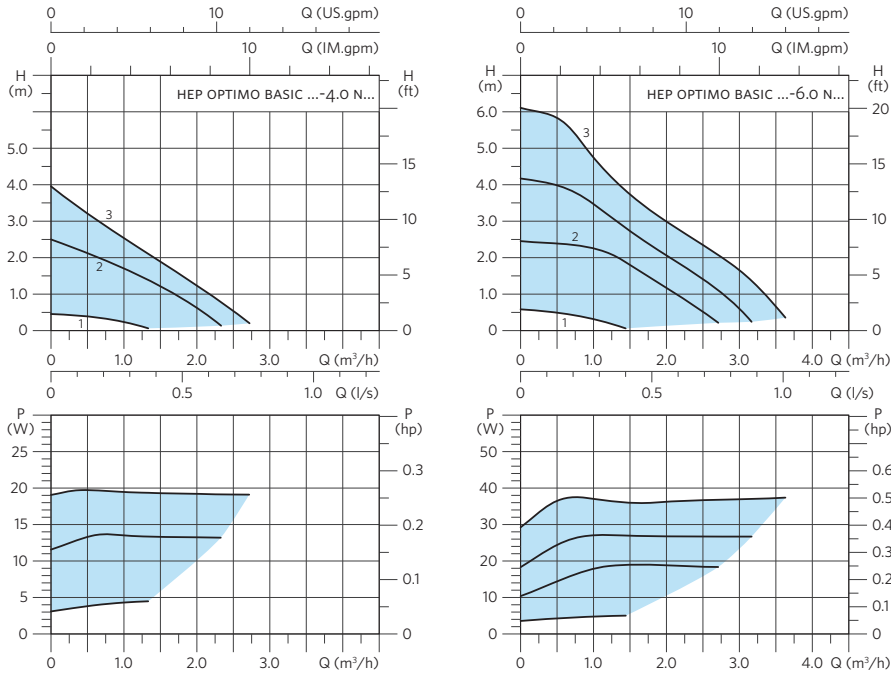
PROPORTIONAL PRESSURE



High efficiency pumps with stainless steel housing, electronically controlled

HEP Optimo Basic (N) series, T1 product group

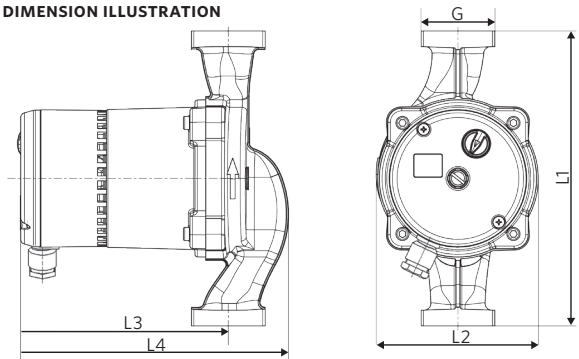
FIXED RPM



DIMENSIONS

TYPE	L1 (MM)	L2 (MM)	L3 (MM)	L4 (MM)
HEP OPTIMO BASIC (N)	130/180	98	127	163

DIMENSION ILLUSTRATION



High efficiency pumps with LED display and stainless steel housing, electronically controlled

HEP Optimo (N) series, T1 product group



Insulation shell
with installation length
180 mm included
in delivery.

BEST
in class

ERP
2015⁺

TECHNICAL DATA

Rate of flow:	up to 4.4 m ³ /h
Pressure head:	4 m/6 m/8 m
Control range:	4-20 W/5-37 W/6-64 W
Media temperature:	+2 °C to +110 °C
Installation length:	130, 150 and 180 mm
Threaded connection:	1", 1½" and 2"
Protection class:	IP 42
Insulation class:	F
Nominal pressure:	PN 10
Control:	Δpc + Δpv + fixed rpm
EEL:	≤ 0.17 HEP Optimo XX-4.0 NXXX ≤ 0.18 HEP Optimo XX-6.0 NXXX ≤ 0.20 HEP Optimo XX-8.0 NXXX

PRODUCT FEATURES

- manual start-up feature
- smooth running
- very low energy consumption
- integrated night economy feature
- air-vent screw
- LED display
- convenient operation
- space-saving axially integrated terminal box
- automatic adjustment to pressure conditions
- stainless steel pump housing
- pre-mounted, screwable entry-plug
- compact design
- optical fault indication
- optical display control mode

USE

The electronically controlled HEP Optimo (N) high efficiency wet rotor circulators with LED display and permanent magnet technology are designed for use in heating and solar systems as well as drinking water systems with variable or constant rate of flow.

MODE OF OPERATION ΔP CONTROL IN HEATING SYSTEMS

When thermostatic valves in systems with a long main supply heating pipe (likely for radiator systems) close, the total flow drops. This results in lower pipe resistance in this main pipe, which means the pump has to create lower head. Using proportional pressure mode PP (L) is the preferred setting for such heating systems, as here the pump decreases head at lower flow.

If the main supply heating pipe has not to be taken into consideration, because it is short or has its own pump (likely for underfloor heating systems with in mixing units integrated pumps or drinking water systems), the best mode to use is constant pressure mode CP (C). In such heating systems, it is important always to have constant pressure for the radiators or ufh-circuits, as the pressure loss in the main pipe is not considered and all other consumers are installed in parallel, which does not influence the maximum pressure loss.

CONTROL MODES FOR USE IN SOLAR SYSTEMS

As a rule, solar systems are designed for constant flow. High differential pressure at low flow is required. The fixed speed mode (M) is recommended for this. With this setting, the pump generates the highest possible differential pressure.

In the case of solar systems with a variable flow rate, the setting „Constant pressure“ (C) can alternatively be selected. Here, the differential pressure is kept constant regardless of the respective hydraulic situation of the solar system.

The „Proportional pressure“ (L) control mode may only be selected if the solar pump is used in a heating system with thermostatic valves.

Important: High efficiency pumps with electronically commutated motor (ECM) and integrated automatic control - such as the HEP Optimo - cannot

be operated via external controls, which control pumps via wave packet or leading edge control. The Armstrong series HEP BB2 is recommended for such cases.

MAIN AREAS OF USE

- drinking water systems with fixed speed mode (Display indicates M)

MATERIALS

Component	Material	Material no.
Pump housing	Stainless steel	1.4308
Impeller	Polyamide (PA - GF 35)	
Shaft	Ceramic	
Bearing	Ceramic	
Bearing plate	Stainless steel	1.4301
Can	Stainless steel	1.4301

FLOW MEDIA

- drinking water up to a temperature of 65 °C and a degree of hardness of 14 °dH (temporary hardness)
- heating water as per VDI 2035
- pure, thin, non-aggressive and non-explosive, mineral oil-free media without solid or long-fibre components
- media with a max. viscosity of 10 mm²/s
- operating data must be checked above 20 % glycol

TEMPERATURE RANGE

Ambient temperature:	0 °C to +40 °C
Temperature class:	TF 110
Media temperature:	+2 °C to +110 °C

AMBIENT TEMPERATURE

To avoid condensation forming in the terminal box and stator, the media temperature must always be the same or higher than the ambient temperature.

Ambient temp.	Media temp. min.	Media temp. max.
0	2	110
10	10	110
20	20	110
30	30	95
35	35	90
40	40	70

MOTOR PROTECTION

External motor protection is not required.

INTEGRATED NIGHT ECONOMY FEATURE

When the automatic night economy feature is activated, the circulation pump switches between normal mode and economy mode (characteristic curve MIN). The flow temperature is detected by a temperature sensor, the pump reacts accordingly. For this, it is necessary for the circulation pump to be installed in flow.

MINIMUM INFLOW PRESSURE

Please determine the minimum inflow pressure for corresponding temperature from the following table.

Media temperature	< 75 °C	> 90 °C
Minimum inflow pressure	0.05 bar	0.28 bar

SOUND PRESSURE LEVEL

The sound pressure level is < 45 dB (A).

CHOICE OF CONTROL CHARACTERISTIC

You can set 3 different control modes via the potentiometer on the axial terminal box. Proportional pressure (L), fixed speed (M) and constant pressure (C) can be adjusted continuously variable. The display indicates power consumption in [W] watts. Once the potentiometer is turned, the display first indicates mode of operation and value of set head in [m] meters. If not further turned the display shows the value of power consumption (Watt) and the symbol of the control mode permanently.



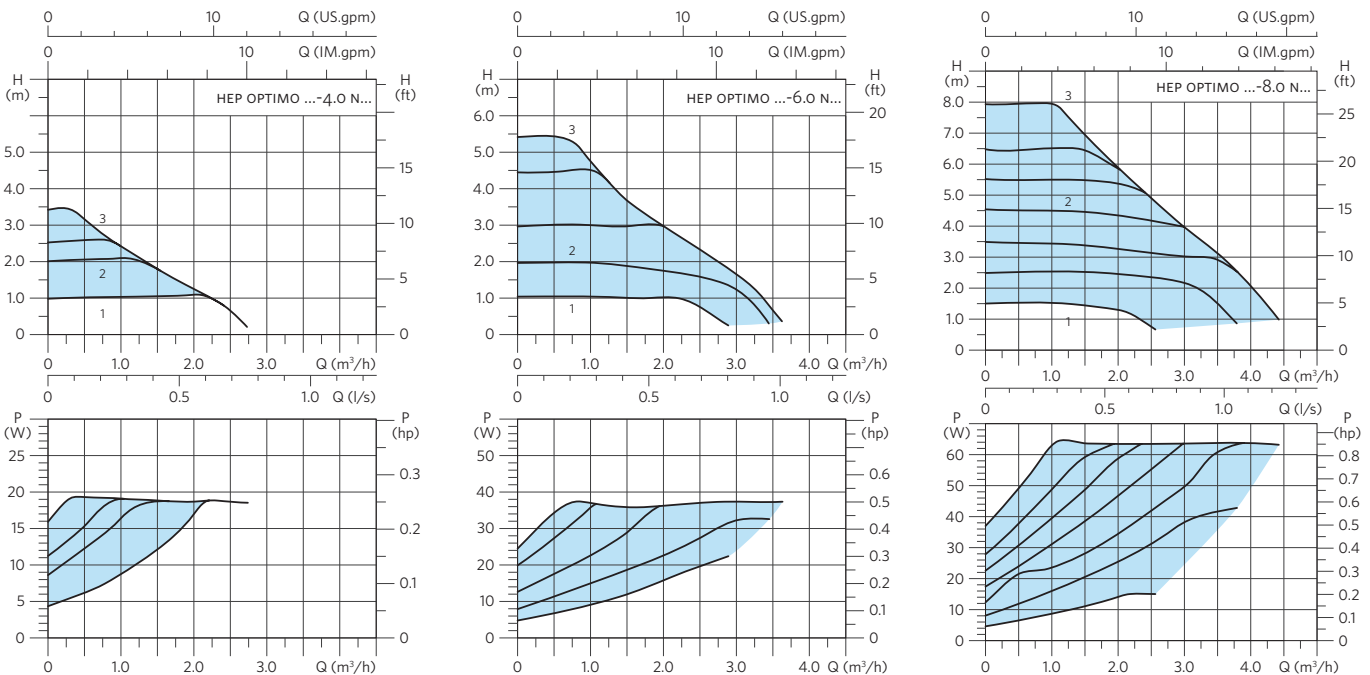
High efficiency pumps with LED display and stainless steel housing, electronically controlled

HEP Optimo (N) series, T1 product group

TECHNICAL DATA

TYPE	CONNECTION PIPE	THREADED CONNECTION	INSTALLATION LENGTH (MM)	VOLTAGE / FREQUENCY	P1 (W)	I _{MAX} (A)	NET-WEIGHT (KG)	PRODUCT NO.	EEL
HEP OPTIMO 25-4.0 N180	1"	1½"	180	230 V 50/60 HZ	4 ... 20	0,26	2,5	0653-34204.1-71	≤ 0,17
HEP OPTIMO 25-6.0 N180	1"	1½"	180	230 V 50/60 HZ	5 ... 37	0,41	2,5	0653-34206.1-71	≤ 0,18
HEP OPTIMO 25-8.0 N180	1"	1½"	180	230 V 50/60 HZ	6 ... 64	0,61	2,5	0653-34208.1-71	≤ 0,20
HEP OPTIMO 15-4.0 N130	½"	1"	130	230 V 50/60 HZ	4 ... 20	0,26	2,2	0651-34004.1-71	≤ 0,17
HEP OPTIMO 15-6.0 N130	½"	1"	130	230 V 50/60 HZ	5 ... 37	0,41	2,2	0651-34006.1-71	≤ 0,18
HEP OPTIMO 15-8.0 N130	½"	1"	130	230 V 50/60 HZ	6 ... 64	0,61	2,2	0651-34008.1-71	≤ 0,20
HEP OPTIMO 20-4.0 N150	¾"	1¼"	150	230 V 50/60 HZ	4 ... 20	0,26	2,3	0652-34104.1-71	≤ 0,17
HEP OPTIMO 20-6.0 N150	¾"	1¼"	150	230 V 50/60 HZ	5 ... 37	0,41	2,3	0652-34106.1-71	≤ 0,18
HEP OPTIMO 20-8.0 N150	¾"	1¼"	150	230 V 50/60 HZ	6 ... 64	0,61	2,3	0652-34108.1-71	≤ 0,20
HEP OPTIMO 25-4.0 N130	1"	1½"	130	230 V 50/60 HZ	4 ... 20	0,26	2,5	0653-34004.1-71	≤ 0,17
HEP OPTIMO 25-6.0 N130	1"	1½"	130	230 V 50/60 HZ	5 ... 37	0,41	2,5	0653-34006.1-71	≤ 0,18
HEP OPTIMO 25-8.0 N130	1"	1½"	130	230 V 50/60 HZ	6 ... 64	0,61	2,5	0653-34008.1-71	≤ 0,20

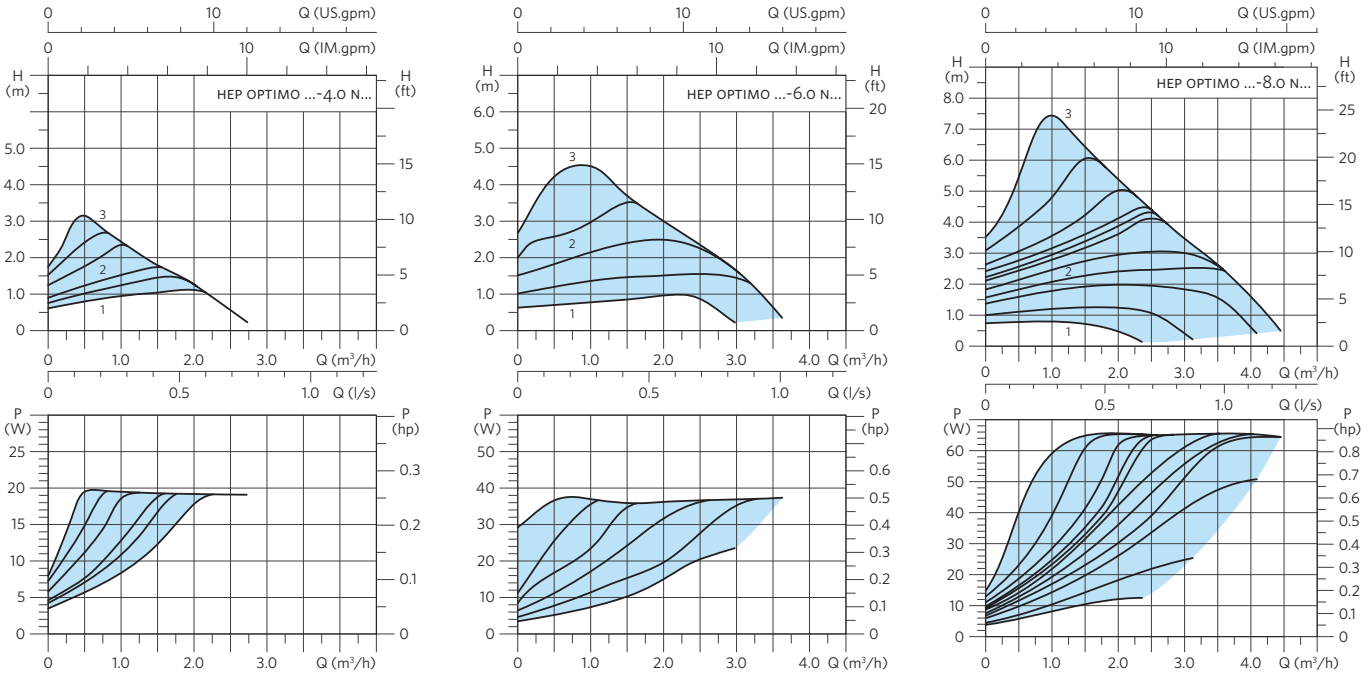
CONSTANT PRESSURE



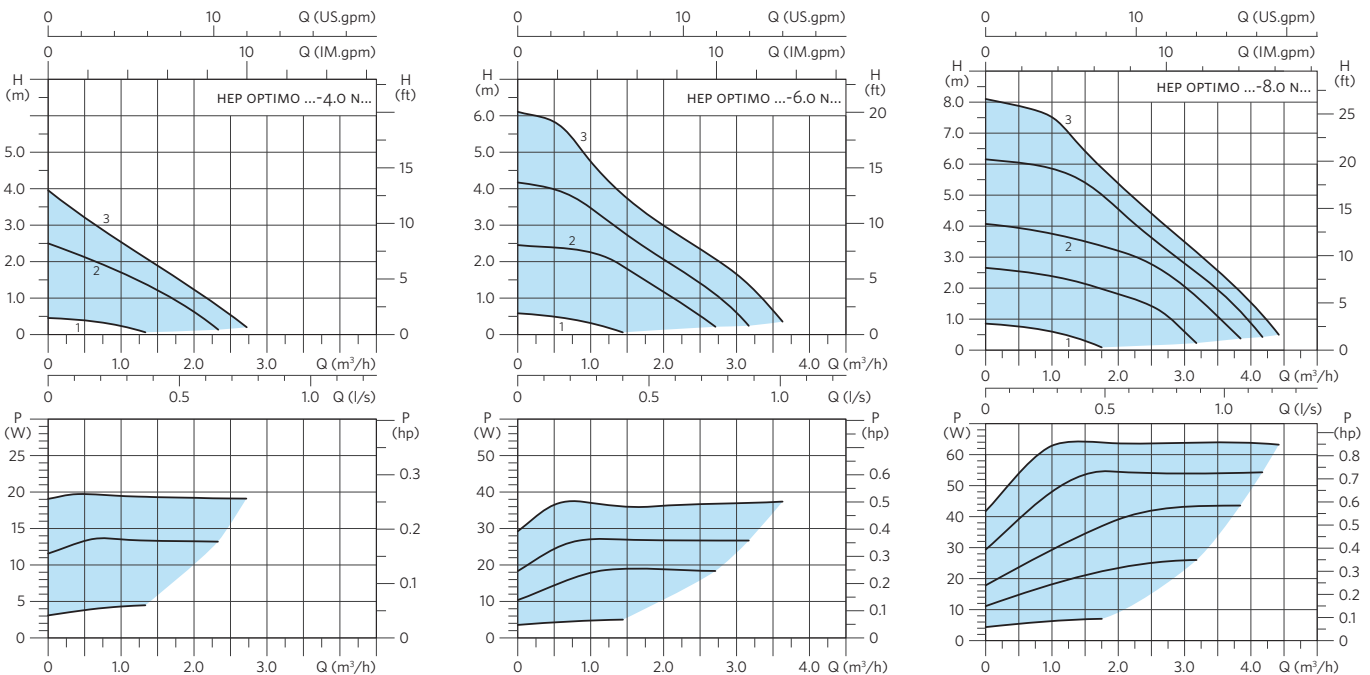
High efficiency pumps with LED display and stainless steel housing, electronically controlled

HEP Optimo (N) series, T1 product group

PROPORTIONAL PRESSURE



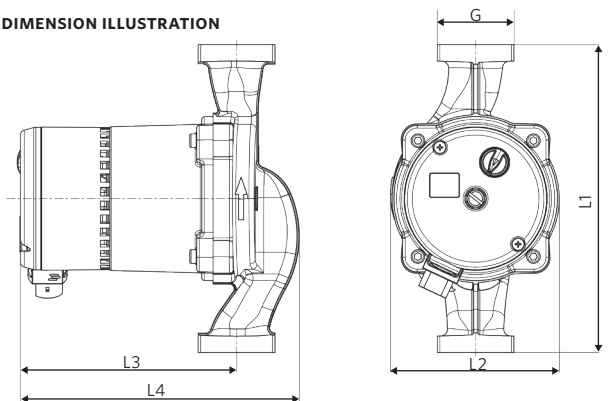
FIXED RPM



DIMENSIONS

TYPE	L1 (MM)	L2 (MM)	L3 (MM)	L4 (MM)
HEP OPTIMO (N)	130/150/180	98	127	163

DIMENSION ILLUSTRATION



Circulation pumps for drinking water with stainless steel housing, pressure head 7-12 m

BGPA (N) series, T3 product group



TECHNICAL DATA

Rate of flow:	up to 12.0 m ³ /h
Pressure head:	up to 12 m
Media temperature:	+2 °C to +110 °C
Installation length:	180 mm
Threaded connection:	1¼" and 1½"
Protection class:	IP 44
Insulation class:	H
Nominal pressure:	PN 10
Control:	3-step switch with manual speed selection

PRODUCT FEATURES

- manual start-up feature
- space-saving axially integrated terminal box
- pump housing in stainless steel

USE

The BGPA (N) series circulation pumps are wet rotor circulators designed for use in drinking water systems with a flow rate of > 5 m³/h. They feature a corrosion-resistant housing in stainless steel and are thus designed for use in drinking water circulation systems.

MATERIALS

Component	Material	Material no.
Pump housing	Stainless steel	1.4308
Impeller	Polypropylene (PP - GF 30)	
Shaft	Ceramic	
Bearing	Ceramic	
Bearing plate	Brass	2.0401
Can	Stainless steel	1.4301

TEMPERATURE RANGE

Ambient temperature:	0 °C to +40 °C
Temperature class:	TF 110
Media temperature:	+2 °C to +110 °C

AMBIENT TEMPERATURE

To avoid the build-up of condensation, the ambient temperature must always be lower than the media temperature.

Ambient temp.	Media temp. min.	Media temp. max.
0	2	110
10	10	110
20	20	110
30	30	110
35	35	110
40	40	110

MOTOR PROTECTION

External motor protection is not required.

SPEED SWITCHING

The respective speed is set via a rotary switch integrated in the axial terminal box.

MINIMUM INFLOW PRESSURE

Please determine the minimum inflow pressure for corresponding temperature from the following table.

Media temperature	< 85 °C	90 °C	110 °C
Minimum inflow pressure	0.05 bar	0.3 bar	1.10 bar

SOUND PRESSURE LEVEL

The sound pressure level is < 45 dB (A).

FLOW MEDIA

Only for drinking water up to a temperature of 65 °C and a max. degree of hardness of 14 °dH (temporary hardness).

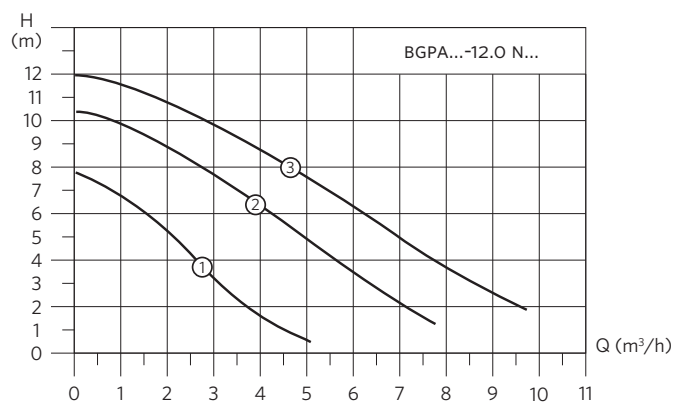
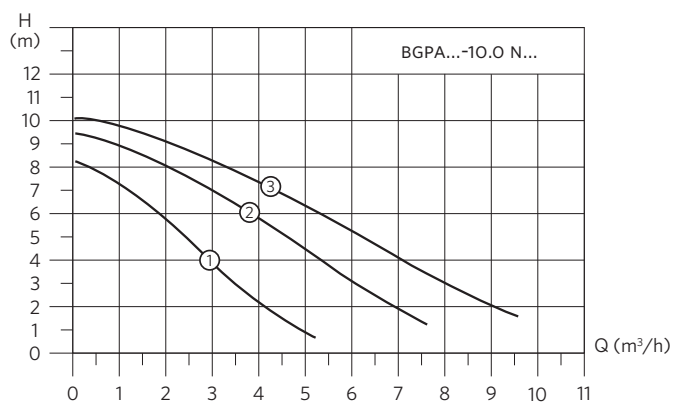
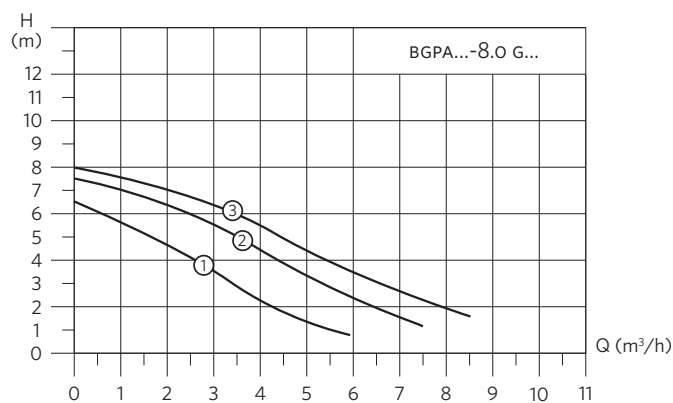
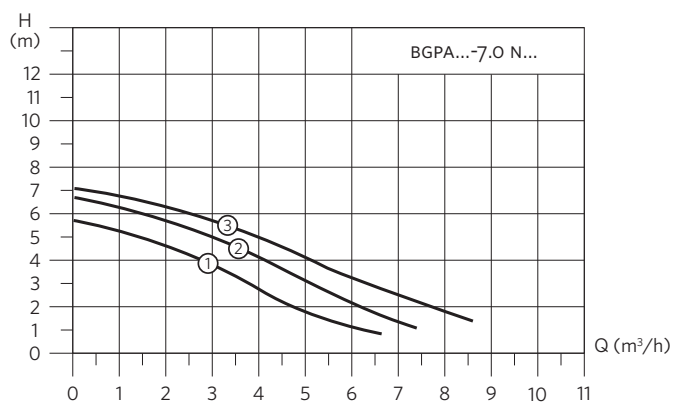
Circulation pumps for drinking water with stainless steel housing, pressure head 7-12 m

BGPA (N) series, T3 product group

TECHNICAL DATA

TYPE	CONNECTION PIPE	THREADED CONNECTION	INSTALLATION LENGTH (MM)	VOLTAGE / FREQUENCY	P1 (W)	I _{MAX} (A)	NET-WEIGHT (KG)	PRODUCT NO.
BGPA 20-7.0 N180	¾"	1¼"	180	230 V/50 HZ	220 ... 260	1,13	6,3	0352-40207-71
BGPA 20-8.0 N180	¾"	1¼"	180	230 V/50 HZ	260 ... 286	1,25	6,3	0352-40208-71
BGPA 20-10.0 N180	¾"	1¼"	180	230 V/50 HZ	283 ... 357	1,56	6,3	0352-40210-71
BGPA 20-12.0 N180	¾"	1¼"	180	230 V/50 HZ	285 ... 400	1,73	6,3	0352-40212-71
BGPA 25-7.0 N180	1"	1½"	180	230 V/50 HZ	220 ... 260	1,13	6,4	0353-40207-71
BGPA 25-8.0 N180	1"	1½"	180	230 V/50 HZ	260 ... 286	1,25	6,4	0353-40208-71
BGPA 25-10.0 N180	1"	1½"	180	230 V/50 HZ	283 ... 357	1,56	6,4	0353-40210-71
BGPA 25-12.0 N180	1"	1½"	180	230 V/50 HZ	285 ... 400	1,73	6,4	0353-40212-71

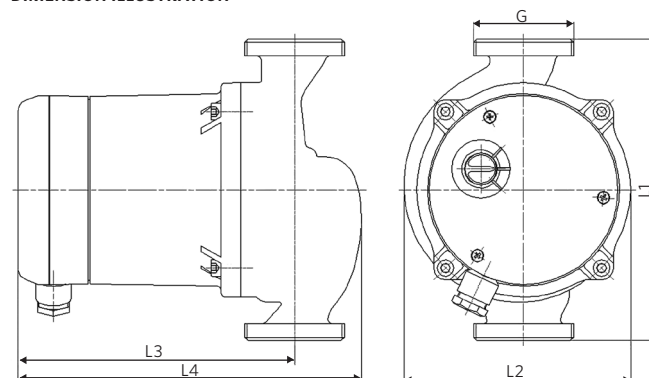
PERFORMANCE CURVES



DIMENSIONS

TYPE	L1 (MM)	L2 (MM)	L3 (MM)	L4 (MM)
BGPA (N)	180	135,5	166	206

DIMENSION ILLUSTRATION



High efficiency pumps with LED display and bronze housing

AGE4 Z series



TECHNICAL DATA

Rate of flow:	Threaded: up to 9m ³ /h (2.5 l/s) Flanged: up to 83m ³ /h (23.0 l/s)
Pressure head:	6 m/8 m/10 m/12 m/18 m
Control range:	10-90W/10-180W/25-270W/25-480W/25-560W/ 25-1100W/38-1100W/20-1500W/45-1600W
Media temperature:	+2 °C to +110 °C
Installation length:	180 mm (threaded) 220, 250, 280, 340 and 360 mm (flanged)
Circulator connection:	1" and ½" (threaded) DN32, 40 and 50 (flanged)
Protection class:	IP 44
Insulation class:	F
Nominal pressure:	6/10 bar (flanged) 10 bar (threaded)
EEL:	≤ 0.23

Control:

Internal:	<ul style="list-style-type: none"> Constant-pressure Δp or proportional-pressure Δp control Auto Mode with dynamic differential pressure setpoint adjustment Constant speed control with manual selection
External:	<ul style="list-style-type: none"> 0-10 V external speed control MODBUS RTU and BACnet MS/TP

PRODUCT FEATURES

- LED display
- manual start-up feature
- smooth running
- very low energy consumption
- collective fault signal
- convenient operation
- front facing integrated terminal box
- automatic adjustment to pressure conditions

USE

The Armstrong AGE4 Z is a high-efficiency, variable speed wet rotor Circulator with ECM technology and permanent magnet rotor. It offers operating flexibility and an industry-leading feature set to support a wide range of heating and cooling applications.

MAIN AREAS OF USE

- heating
- cooling
- plumbing applications

CONTROLS FUNCTION

You can make adjustments with the integrated control keys at the front. The LED display shows the total electrical input power as a numeric value in [W] watts. Different icons at the top of the display show the function, setting and the modes of operation.

MATERIALS

Component	Material	Material no.
Pump housing	Bronze	
Impeller	PES	PES GF 30
Shaft	Stainless steel	AISI 420
Bearing	Graphite	
Bearing plate	Stainless steel	
Can	Stainless steel	AISI 316

TEMPERATURE RANGE

Ambient temperature:	0 °C to +40 °C
Temperature class:	TF 110
Media temperature:	+2 °C to +110 °C

AMBIENT TEMPERATURE

Ambient temp.	Media temp. min.	Media temp. max.
Up to 25 °C	-10 °C	110 °C
30 °C	-10 °C	100 °C
35 °C	-10 °C	90 °C
40 °C	-10 °C	80 °C

MOTOR PROTECTION

External motor protection is not required.

MINIMUM INFLOW PRESSURE

Please determine the minimum inflow pressure for corresponding temperature from the following table.

Media temperature	< 80 °C	90 °C
Minimum inflow pressure	0.05 bar	0.28 bar

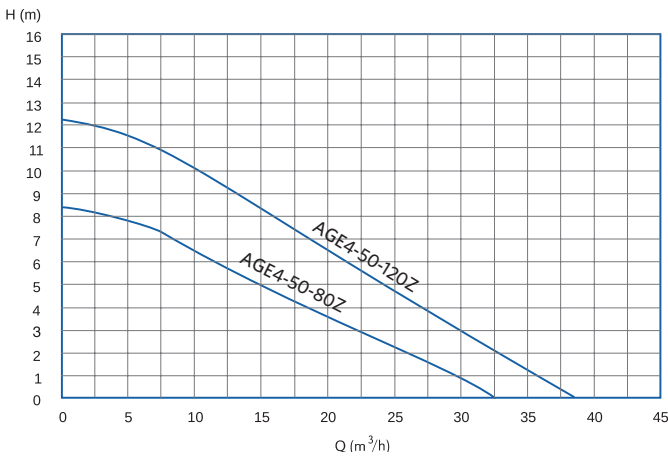
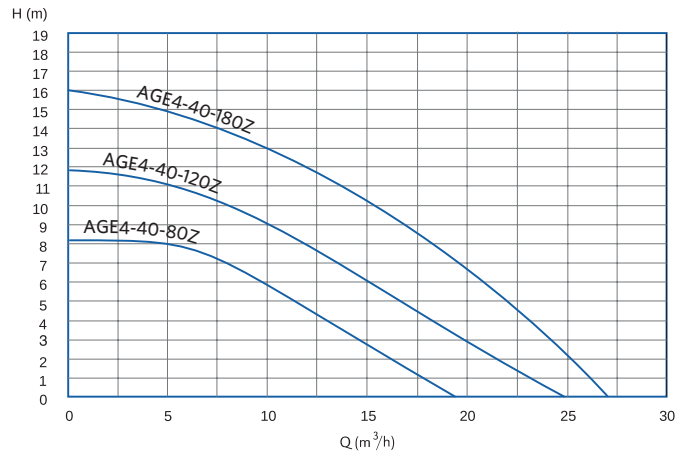
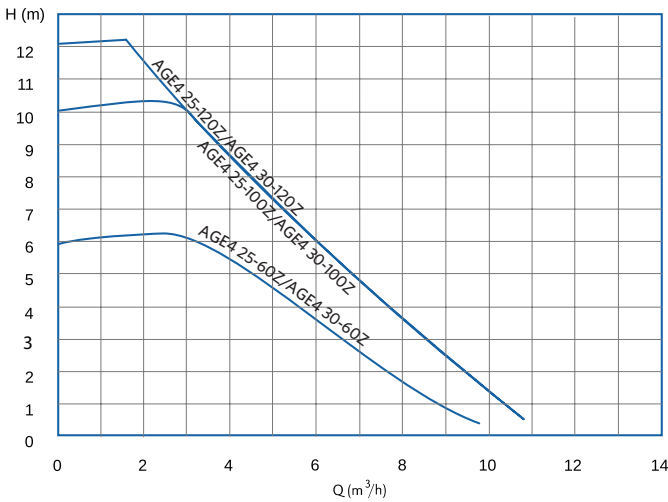
SOUND PRESSURE LEVEL

The sound pressure level is < 43 dB (A).

TECHNICAL DATA

TYPE	CONNECTION PIPE	THREADED CONNECTION	FLANGE	INSTALLATION LENGTH (MM)	VOLTAGE / FREQUENCY	P1 (W)	I _{max} (A)	NET-WEIGHT (KG)	PRODUCT NO.	EEL
AGE4 25-60Z	RP 1"	G1 1/2"		180	230/1/50	7 ... 90	0,75	3,5	0333-95206-71	≤ 0.21
AGE4 25-100Z	RP 1"	G1 1/2"		180	230/1/50	10 ... 180	1,5	3,5	0333-95210-71	≤ 0.21
AGE4 25-120Z	RP 1"	G1 1/2"		180	230/1/50	10 ... 180	1,5	3,5	0333-95212-71	≤ 0.21
AGE4 30-60Z	RP 1 1/4"	G2"		180	230/1/50	7 ... 90	0,75	3,8	0334-95206-71	≤ 0.21
AGE4 30-100Z	RP 1 1/4"	G2"		180	230/1/50	10 ... 180	1,5	3,8	0334-95210-71	≤ 0.21
AGE4 30-120Z	RP 1 1/4"	G2"		180	230/1/50	10 ... 180	1,5	3,8	0334-95212-71	≤ 0.21
AGE4 40-80Z	DN 40		DN 40	250	230/1/50	25 ... 270	3,8	13,5	0335-95308-71	≤ 0.21
AGE4 40-120Z	DN 40		DN 40	250	230/1/50	25 ... 480	3,8	14,2	0335-95412-71	≤ 0.21
AGE4 40-180Z	DN 40		DN 40	250	230/1/50	25 ... 1100	3,8	14,2	0335-95418-71	≤ 0.23
AGE4 50-80Z	DN 50		DN 50	280	230/1/50	25 ... 270	3,8	15,5	0336-95508-71	≤ 0.22
AGE4 50-120Z	DN 50		DN 50	280	230/1/50	25 ... 560	3,8	15,5	0336-95512-71	≤ 0.21

PERFORMANCE CURVES



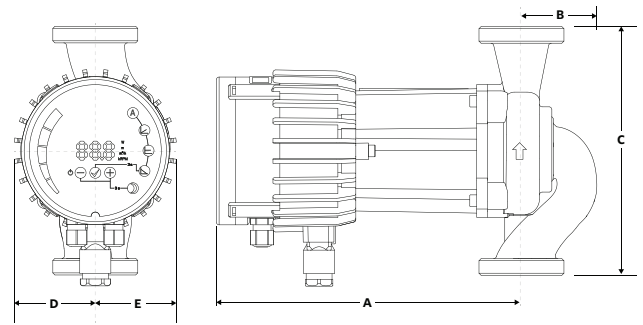
High efficiency pumps with LED display and bronze housing

AGE4 Z series

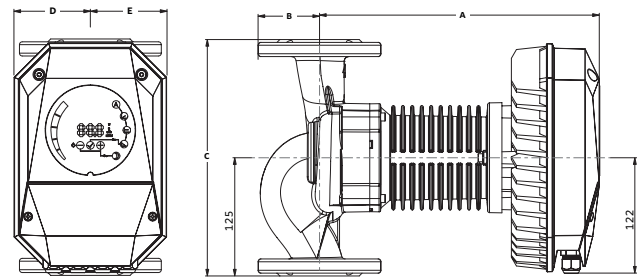
DIMENSIONS

TYPE	A (MM)	B (MM)	C (MM)	D (MM)	E (MM)
AGE4 25-60Z	180	95	180	58.5	58.5
AGE4 25-100Z	180	95	180	58.5	58.5
AGE4 25-120Z	180	95	180	58.5	58.5
AGE4 30-60Z	180	95	180	58.5	58.5
AGE4 30-100Z	180	95	180	58.5	58.5
AGE4 30-120Z	180	95	180	58.5	58.5
AGE4 40-80Z	296	65	220	80.5	80.5
AGE4 40-120Z	296	65	250	80.5	80.5
AGE4 40-180Z	306	65	250	80.5	80.5
AGE4 50-80Z	287	72	280	80.5	92
AGE4 50-120Z	287	72	280	80.5	92

DIMENSION ILLUSTRATION (THREADED VERSION)



DIMENSION ILLUSTRATION (FLANGE VERSION)



Condensate pump for gas condensing boilers up to 400 kW

Lift series, K1 product group



TECHNICAL DATA

Electrical connection:	230 V, 50/60 Hz
Input power:	65 W
Alarm contact:	max. 230 V, 8 A (resistive load), NO normally open/NC normally closed
Protection class:	IP 55
Medium:	condensate pH ≥ 3 , temperature 70 °C max
Rate of flow:	max. 350 l/h
Pressure head:	max. 4 m
Noise level:	max. 29 dB [A]
Dimensions:	185 x 85 x 100 mm (L x W x H)
Condensate supply:	\varnothing 24 mm
Condensate suction head:	83 mm
Tank:	ABS plastic, max. 0.5 l/0.13 Gal
Condensation drain:	nozzles for hose connection \varnothing 8 x 2 mm
Discharge hose:	included in the scope of delivery
Weight:	1.5 kg

PRODUCT FEATURES

- fully automatic condensate pump delivered completely ready for connection
- extremely quiet and vibration free
- very compact and space-saving construction
- fully encapsulated pump unit (IP 55) resistant to water jets from any direction
- pump unit also suitable for use in external tank (tank height min. 62 mm, max. 70 mm)
- integrated check valve for discharge hose
- condensation discharge hose (6 m, \varnothing 8 x 2 mm) included in delivery
- pre-mounted power cable (1.6 m) incl. shockproof plug
- overflow protection through separate float
- potential-free alarm connection (NO normally open/NC normally closed)
- pre-mounted alarm cable (0.9 m) incl. wall mounting

DELIVERY PROGRAM

TYPE	MAX PRESSURE HEAD	MAX RATE OF FLOW	FOR CONDENSING BOILERS UP TO	REMARKS	PRODUCT NO.
LIFT	4 M	350 L/H	400 KW	INCL. PRESSURE HOSE (6 M, \varnothing 8 x 2 MM)	0341-00400-71

USE

The Lift condensate pump is a fully automatic unit for the extraction of condensate, produced in gas/oil condensing boilers, air-conditioning systems, refrigerated counters and dehumidifiers incl. collection tank. It can be used anywhere where a condensate disposal through gravity is not possible or where there is no direct drain. The Lift condensate pump is designed for gas condensing boilers up to 400 kW.

The housing is made from ABS plastic and is therefore resistant to acidic condensate (pH ≥ 3). For very acidic condensate (pH < 3), for the use of low-sulfur heating oil and for installations/systems with over 200 kW, it is compulsory according to ATV-DVWK-A 251 in Germany to install a neutralisation system (see condensate pump Lift NT25 resp. additional neutralisation tank NT50). Complementary municipal or other national regulations must be observed where necessary.

For the use in oil condensing boilers we recommend the additional use of an extension kit with activated carbon (see accessories for condensate pumps).

MAIN AREAS OF USE

- gas condensing boilers
 - oil condensing boilers
 - air-conditioning systems
 - refrigerators, refrigerated cabinets, refrigerated counters*
 - dehumidifiers, evaporators
- *) not suitable for splash water

FLOW MEDIA

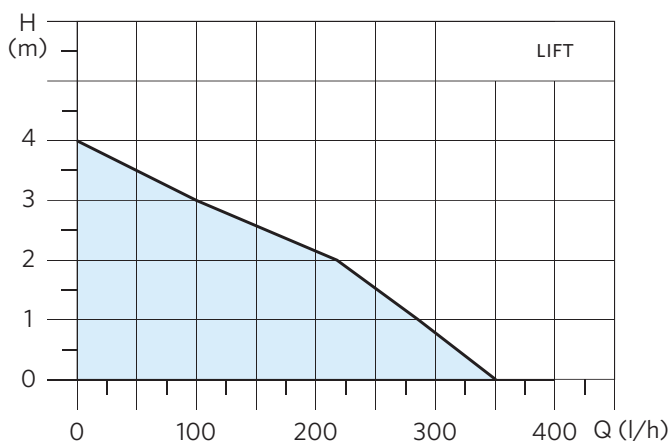
- condensates with a pH ≥ 3 and a 70 °C max temperature.
- condensates with a pH over 3 have to be neutralized.
- condensates with oil residues from oil condensing boilers must be cleaned with activated carbon (extension kit) if necessary.

TEMPERATURE RANGE

Ambient temperature:	+5 °C to +45 °C
Media temperature:	+2 °C to +70 °C

SWITCHING POINTS

Alarm max.	55 mm
Start	52 +/- 1 mm
Stop	24 +/- 1 mm



Condensate pump for gas condensing boilers up to 300 kW

Lift Basic series, K1 product group



TECHNICAL DATA

Electrical connection:	230 V, 50/60 Hz
Input power:	65 W
Alarm contact:	max. 230 V, 8 A (resistive load), NO normally open/NC normally closed
Protection class:	IP 20
Medium:	condensate pH ≥ 3 , temperature 70 °C max
Rate of flow:	max. 200 l/h
Pressure head:	max. 4 m
Noise level:	max. 33 dB [A]
Dimensions:	200 x 105 x 160 mm (L x W x H)
Condensate supply:	\varnothing 24 mm
Condensate suction head:	77 mm
Tank:	ABS plastic, max. 1.0 l/0.26 Gal
Condensation drain:	nozzles for hose connection \varnothing 8 x 2 mm
Discharge hose:	included in the scope of delivery
Weight:	1.6 kg

PRODUCT FEATURES

- fully automatic condensate pump delivered completely ready for connection
- extremely quiet
- space-saving construction
- housing made from ABS plastics is resistant to condensate
- integrated check valve for discharge hose
- condensation discharge hose (6 m, \varnothing 8 x 2 mm) included in delivery
- pre-mounted power cable (1.6 m) incl. shockproof plug
- overflow protection through separate float
- potential-free alarm connection (NO normally open/NC normally closed)
- pre-mounted alarm cable (0.9 m) incl. wall mounting

USE

The Lift Basic condensate pump is a fully automatic unit for the extraction of condensate, produced in gas/oil condensing boilers, air-conditioning systems, refrigerated counters and dehumidifiers incl. collection tank. It can be used anywhere where a condensate disposal through gravity is not possible or where there is no direct drain. The Lift Basic condensate pump is designed for gas condensing boilers up to 300 kW.

The housing is made from ABS plastic and is therefore resistant to acidic condensate (pH ≥ 3). For very acidic condensate (pH < 3), for the use of low-sulfur heating oil and for installations/systems with over 200 kW, it is compulsory according to ATV-DVWK-A 251 in Germany to install a neutralisation system (see condensate pump Lift NT25 resp. additional neutralisation tank NT50). Complementary municipal or other national regulations must be observed where necessary.

For the use in oil condensing boilers we recommend the additional use of an extension kit with activated carbon (see accessories for condensate pumps).

MAIN AREAS OF USE

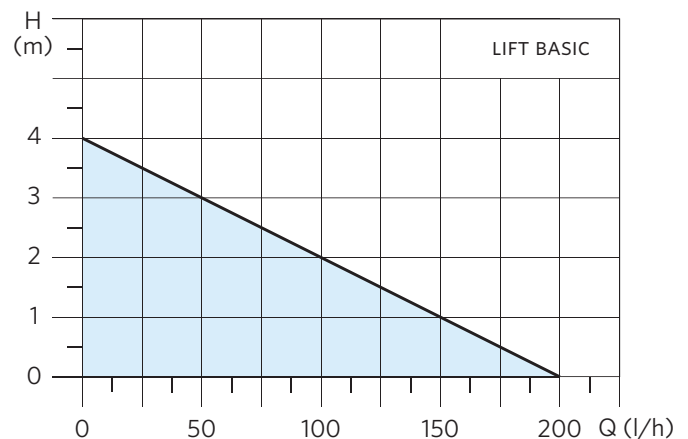
- gas condensing boilers
 - oil condensing boilers
 - air-conditioning systems
 - refrigerators, refrigerated cabinets, refrigerated counters*
 - dehumidifiers, evaporators
- *) not suitable for splash water

FLOW MEDIA

- condensates with a pH ≥ 3 and a 70 °C max temperature.
- condensates with a pH over 3 have to be neutralized.
- condensates with oil residues from oil condensing boilers must be cleaned with activated carbon (extension kit) if necessary.

TEMPERATURE RANGE

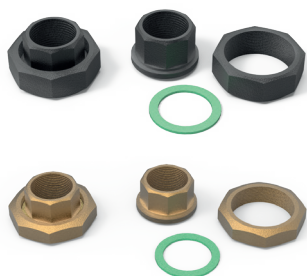
Ambient temperature:	+5 °C to +45 °C
Media temperature:	+2 °C to +70 °C



DELIVERY PROGRAM

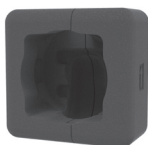
TYPE	MAX PRESSURE HEAD	MAX RATE OF FLOW	FOR CONDENSING BOILERS UP TO	REMARKS	PRODUCT NO.
LIFT BASIC	4 M	200 L/H	300 KW	INCL. PRESSURE HOSE (6 M, \varnothing 8 x 2 MM)	0341-00300-71

SCREW CONNECTIONS



TYPE	PRODUCT NO.	DESCRIPTION
GREY CAST IRON CONNECTION G 1"	4152-0001.1	1 SET C.I. CONNECTION RP 1/2" X G 1", FOR HEP OPTIMO
GREY CAST IRON CONNECTION G 1 1/4"	4152-0001.2	1 SET C.I. CONNECTION RP 3/4" X G 1 1/4", FOR HEP OPTIMO
GREY CAST IRON CONNECTION G 1 1/2"	4152-0001.3	1 SET C.I. CONNECTION RP 1" X G 1 1/2", FOR HEP OPTIMO
GREY CAST IRON CONNECTION G 2"	4152-0001.4	1 SET C.I. CONNECTION RP 1 1/4" X G 2", FOR HEP OPTIMO
BRASS CONNECTION G 1"	4152-0005.1	1 SET BRASS CONNECTION RP 1/2" X G 1", FOR HEP OPTIMO N, BUPA AND BGPA
BRASS CONNECTION G 1 1/4"	4152-0005.2	1 SET BRASS CONNECTION RP 3/4" X G 1 1/4", FOR HEP OPTIMO N, BUPA AND BGPA
BRASS CONNECTION G 1 1/2"	4152-0005.3	1 SET BRASS CONNECTION RP 1" X G 1 1/2", FOR HEP OPTIMO N, BUPA AND BGPA
BRASS UNION 1/2"	9938320-904	1 SET 1/2" SCREW CONNECTION (BRASS) FOR 15MM AGE3
BRASS UNION 1"	9938320-906	1 SET 1" SCREW CONNECTION (BRASS) FOR 25 MM AGE4
BRASS UNION 1 1/4"	9938320-907	1 SET 1 1/4" SCREW CONNECTION (BRASS) FOR 32 MM AGE4
M. IRON UNION 1 1/4"	9938122-207	1 SET 1 1/4" SCREW CONNECTION (C.I.) FOR 32 MM AGE4
M. IRON UNION 1"	9938122-206	1 SET 1" SCREW CONNECTION (C.I.) FOR 25 MM AGE4

INSULATION SHELL/INSULATION SHELL FOR COLD WATER APPLICATIONS



TYPE	PRODUCT NO.	DESCRIPTION
WDS A 180	4152-0100	INSULATION SHELL FOR HEP OPTIMO (BASIC) WITH INSTALLATION LENGTH 180 MM
WDS B 180	4152-0113	INSULATION SHELL FOR HEP OPTIMO L WITH INSTALLATION LENGTH 180 MM

PLUGS



TYPE	PRODUCT NO.	DESCRIPTION
STRAIGHT ELECTRICAL CONNECTOR (PUMP SIDE)	3219-2206-11	STRAIGHT ELECTRICAL PUMP SIDE CONNECTOR FOR SERIES HEP OPTIMO
STRAIGHT ELECTRICAL PLUG COMPLETE	3219-2206-12	STRAIGHT ELECTRICAL PLUG FOR SERIES HEP OPTIMO COMPLETE (FOR PUMPS MANUFACTURED FROM MARCH 2022)
BMS PLUG IN MODULE (NOT SHOWN)	AGE3-BMSMODULE	BMS COMMUNICATION MODULE (ONE PER PUMP HEAD)
AGE3 AND AGE4 POWER CONNECTOR (NOT SHOWN)	AGE3-POWERCON	AGE3 AND AGE4 POWER CONNECTOR PLUG COMPLETE

Further accessories and spare parts on request.

Accessories/Spare parts for condensate pumps

Z2 product group

NG2



TYPE	PRODUCT NO.	DESCRIPTION
NG2	4152-0110	REFILL PACK NEUTRALISATION GRANULATE (2 KG)

ALARM PLUS



TYPE	PRODUCT NO.	DESCRIPTION
ALARM PLUS	4152-0111	AUDIO AND VISUAL FAULT INDICATOR FOR THE ALARM OUTPUT OF THE CONDENSATE PUMP (230 V, 50/60 HZ) FOR THE CONNECTION TO THE CONDENSATE PUMP WITH ALARM RELAY OUTPUT, 56 X 88 X 51 MM (L X W X H), INPUT POWER 1.9 W, IP 20, AMBIENT TEMPERATURE +5 °C TO +50 °C.

Further accessories and spare parts on request.

Notes



For further information please see
www.armstrongfluidtechnology.com

TORONTO

+1 416 755 2291

BUFFALO

+1 716 693 8813

DROITWICH SPA

+44 121 550 5333

MANCHESTER

+44 161 223 2223

BANGALORE

+91 80 4906 3555

SHANGHAI

+86 21 5237 0909

BEIJING

+86 21 5237 0909

SÃO PAULO

+55 11 4785 1330

LYON

+33 4 26 83 78 74

DUBAI

+971 4 887 6775

JIMBOLIA

+40 256 360 030

FRANKFURT

+49 6173 999 77 55

ARMSTRONG FLUID TECHNOLOGY®
ESTABLISHED 1934

ARMSTRONGFLUIDTECHNOLOGY.COM