



DESIGN ENVELOPE

6800G & 6900
boosters

SOLUTION OUTLINE

FILE NO: 100.14
DATE: AUGUST 2021

SUPERSEDES: 100.14
DATE: JANUARY 2020

DESIGN ENVELOPE VALUE

Armstrong Design Envelope Booster packages combine pumps with high-efficiency, variable-speed motors and advanced controls to provide consistent, reliable water pressure.

Assembled and tested to design conditions in an ISO-certified facility

Lowest operating cost

Lowest total cost of ownership

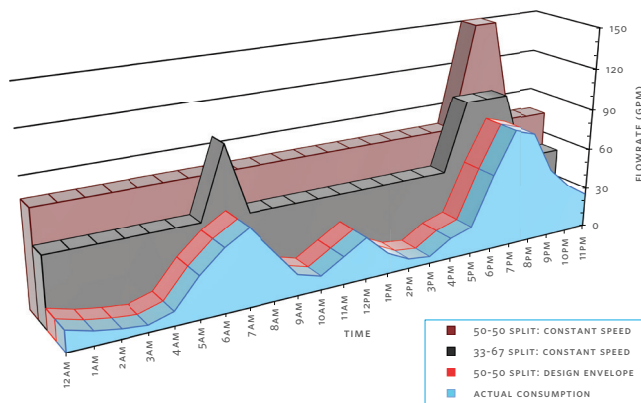
Leading energy efficiency

Compact footprint

Easy to operate and maintain

In buildings of all types, peak levels of demand for water occur in limited time periods. Because of these usage patterns, a booster package operates at part-load for the majority of any given day.

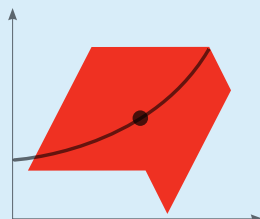
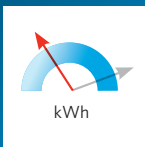
DESIGN ENVELOPE VS. CONSTANT SPEED: ACCURACY IN MATCHING DEMAND



Operating at levels above the current demand causes unnecessary wear on equipment and shortens the operating life. By operating only at the speed required to meet the current flow demands, Design Envelope boosters reduce costs for energy and water and reduce equipment wear.

DESIGN ENVELOPE

UP TO
80%
ENERGY
SAVINGS



AT 50% DESIGN FLOW

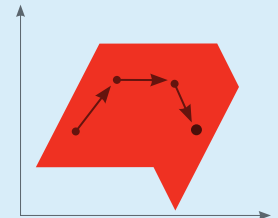
Water demand not only shifts throughout the day, it can also change through the life of a building. The demand profile of building can shift over time, due to:

Changes to fixtures

Changes to building design

Installation of backflow preventer

Pipe corrosion and scaling



The Design Envelope approach to sizing ensures that booster capacity can accommodate changes in the demand profile over the life of your building. This protects you against costly and time-consuming system rework.



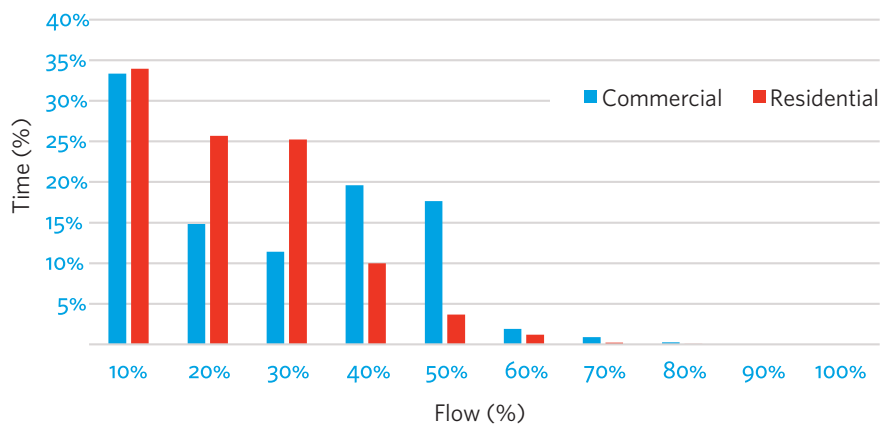
The Advantages of Permanent Magnet Motor Technology in Domestic Water Booster Systems

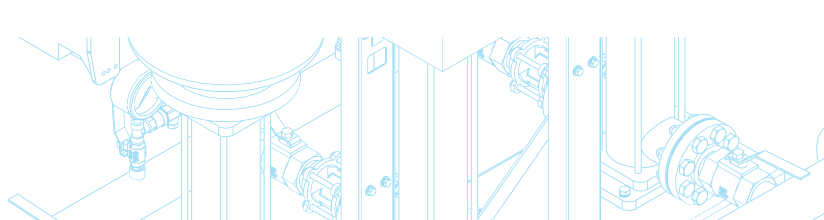
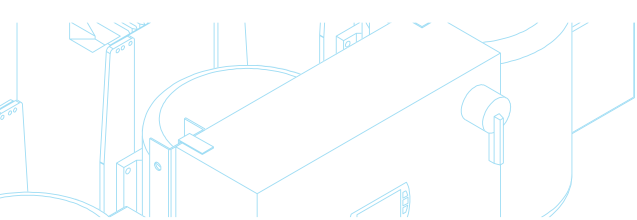
Booster Packages are the hardest working pumps in a building. Ultra Premium Efficiency motors make this vital system better and more cost effective than ever.

Water demand in residential and commercial buildings

Flow capacity usage	Portion of operating hours
10% or less	35%
30% or less	75%
50% or less	95%

FLOW PROFILES FOR STANDARD COMMERCIAL AND RESIDENTIAL BUILDINGS



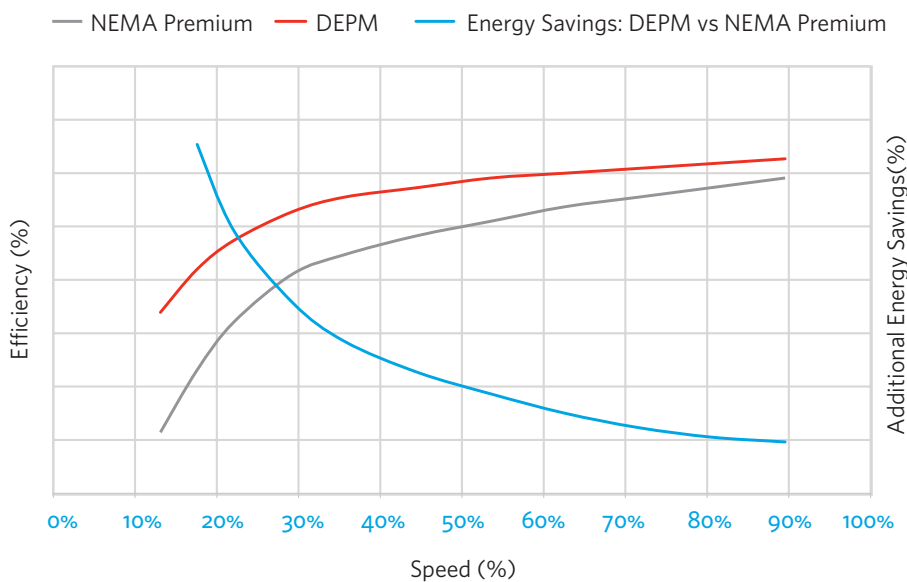


EFFICIENCY & ENERGY SAVINGS

DEPM VS NEMA PREMIUM

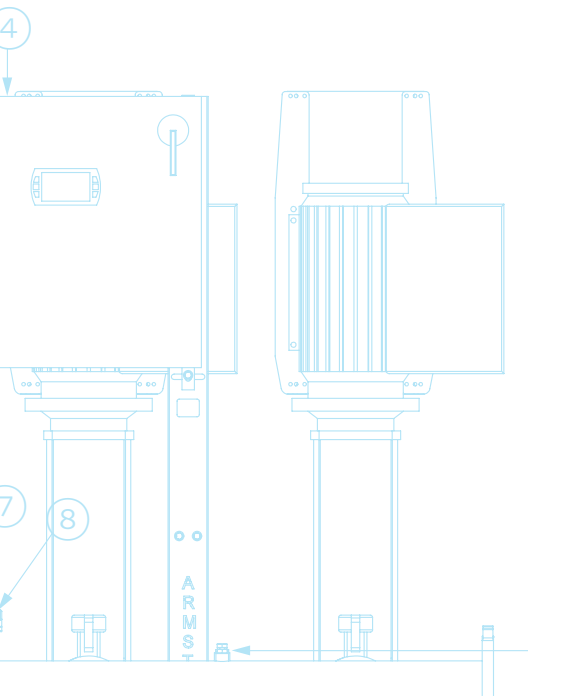
Design Envelope Permanent Magnet (DEPM) motors are more efficient than traditional variable speed induction motors.

DEPM motors provide a clear efficiency advantage across the operating range and the difference in efficiency levels is even greater at lower speeds.

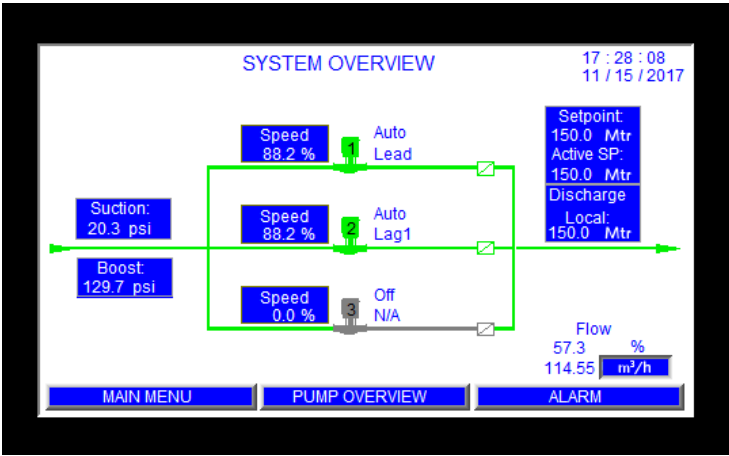


Ownership advantages of DEPM motor technology

- Reduced maintenance requirements
- Longer uninterrupted operating times
- Smaller size and reduced weight
- Ultra-quiet operation
- Larger range of operating speeds
- Maximum design and installation flexibility



Embedded control logic ensures optimum efficiency at all times, adjusting pump speed and staging pumps on and off as needed during periods of high, low and no demand.



Full integration for advanced mechanical and digital capabilities

Armstrong Design Envelope boosters integrate pumping components with advanced digital controllers for:

Optimal energy savings

Control curves are added and tested to design conditions prior to shipment.

Easy installation

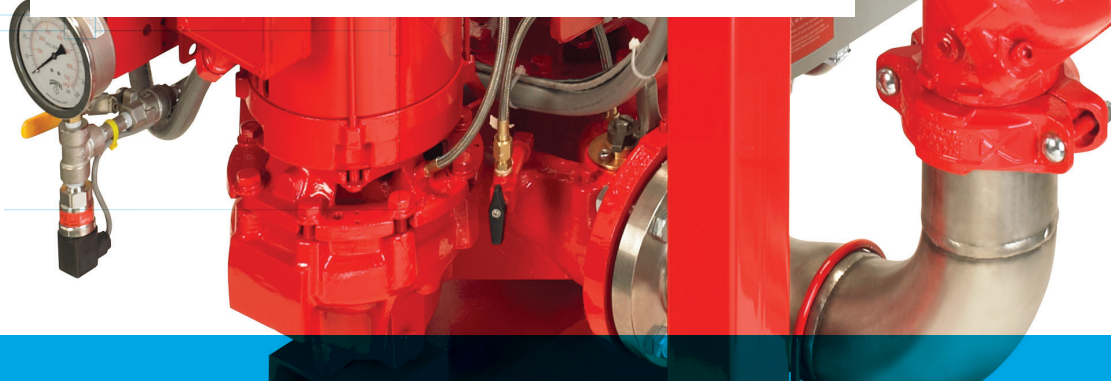
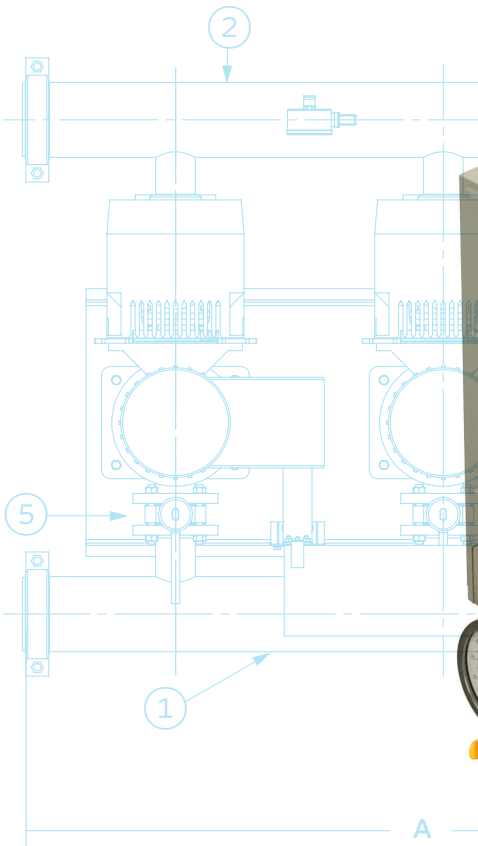
No additional wiring or mounting is required on-site.

Reduced downtime

Individual pumps can be serviced and replaced without the need to interrupt water supply to building occupants.

Single source

Armstrong supplies all components of the booster package.



KEY BENEFITS

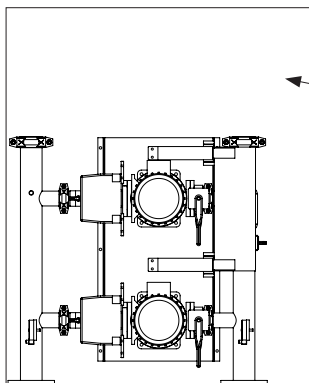
LOWEST ENERGY COSTS

Design Envelope Boosters combine advanced controls with NEMA Premium efficiency induction motors (IE3) and new DEPM (IE5) motors that surpass NEMA Super-premium efficiency. These designs optimize system-wide pressure boosting efficiency and reduce energy costs.

Intelligent pump staging, automatic set-point adjustment and integrated variable frequency drives provide even greater savings.

MINIMAL FOOTPRINT

Armstrong Design Envelope Boosters lead the industry with a compact package design that minimizes floor space requirements and simplifies on-site delivery.

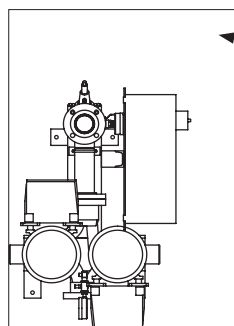


Competing Models

Design Envelope 6800* 68" x 40"
Competing models 77" x 48"

SPACE SAVINGS OF 25%

*(including Permanent Magnet)



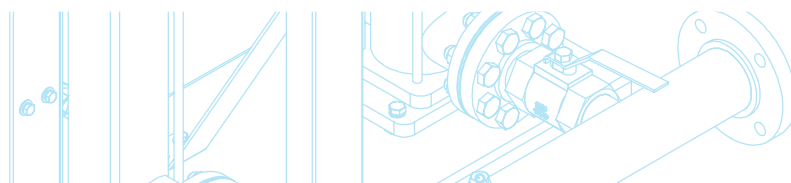
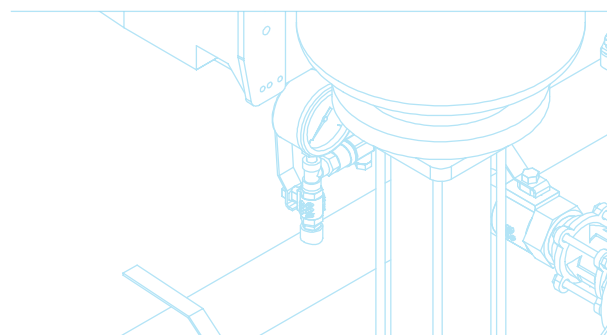
Competing Models

Design Envelope 6900 44" x 33"
Competing models 64" x 44"

SPACE SAVINGS OF 45%

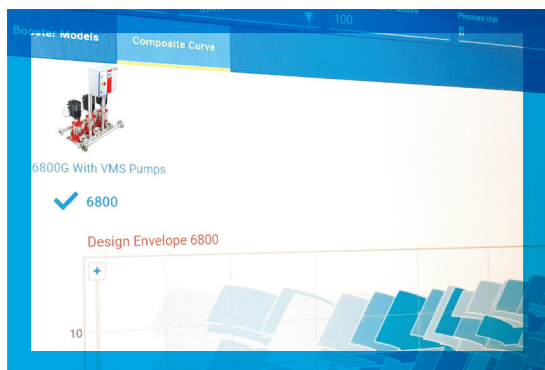
EASY BMS CONNECTIVITY

Supports leading communications protocols, including Modbus/BACnet MSTP/BACnet IP.



EASY SELECTION

Savings Calculator: New energy performance calculator delivers accurate savings projections.



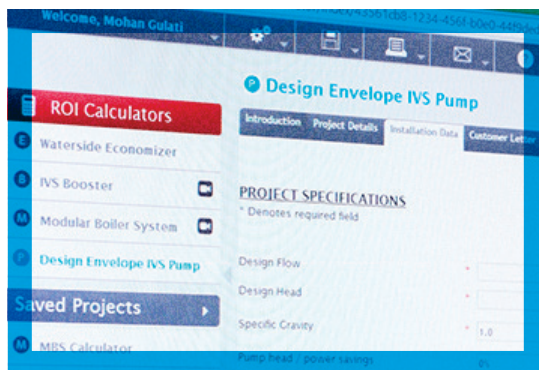
Online selection software: ADEPT allows users to size booster systems and engage in collaborative system design.

Booster Upgrade Tool: Use readily available building information and flow demand history to size your booster. With proper sizing you can minimize footprint, reduce capital costs and reduce operating costs.

Visit Armstrongfluidtechnology.com/adept

EASY COMMISSIONING

With a simple step-by-step software wizard to guide the process, commissioning your booster is easy.



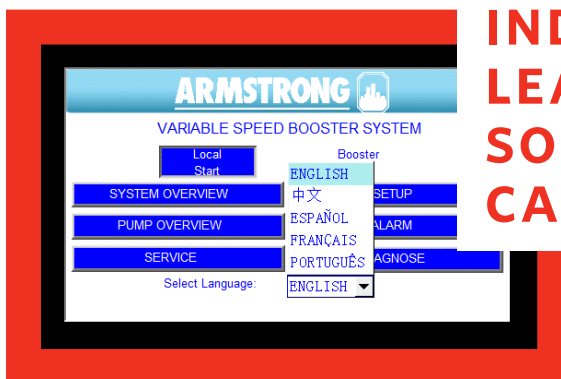
Headers shipped loose: Moving a booster package into a mechanical room is easier with reduced dimensions. On request, system headers can be shipped loose, so you can navigate through standard doorways and around tight corners.

Interchangeable inlet sides: No matter how you configure the booster, addressing design changes doesn't require pipe re-work. You can easily re-orient the suction and discharge headers on site.

KEY FEATURES

Menu-driven setup screens support multiple languages.

Controller has a 4.3-inch color touchscreen and 128MB flash memory.



INDUSTRY-LEADING SOFTWARE CAPABILITIES

ENERGY AND WATER CONSUMPTION INSIGHTS

Armstrong Design Envelope Boosters provide detailed reports on operation.

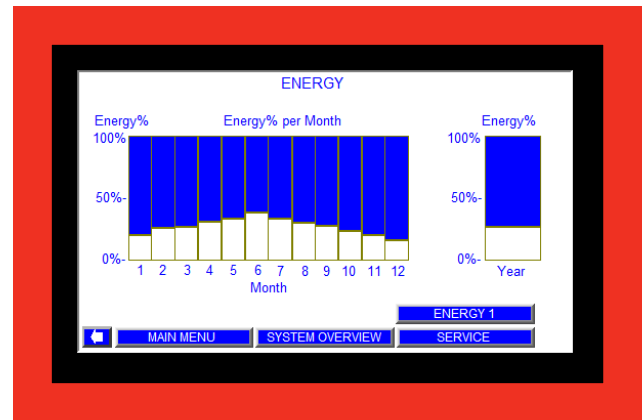
Energy profiling capabilities include:

Monthly and annual energy consumption

Instantaneous kW readings

Reset of stored data

Energy cost reporting is based on programmable \$/kW values



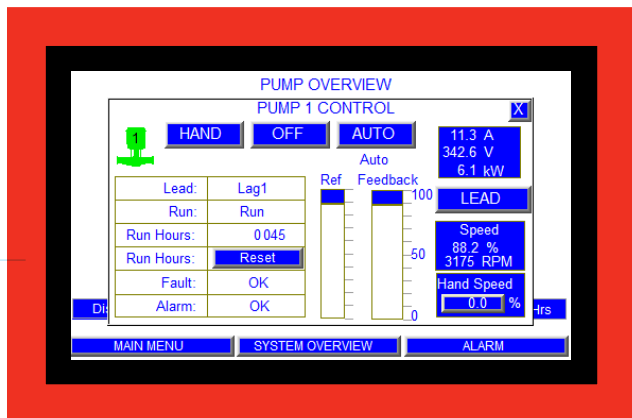
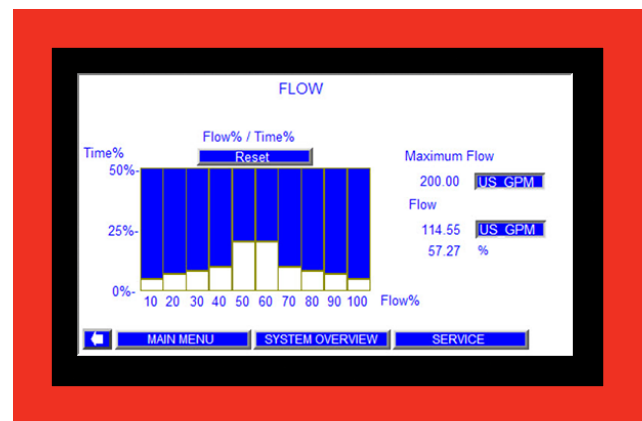
Flow analysis provides

Maximum flow

Current flow

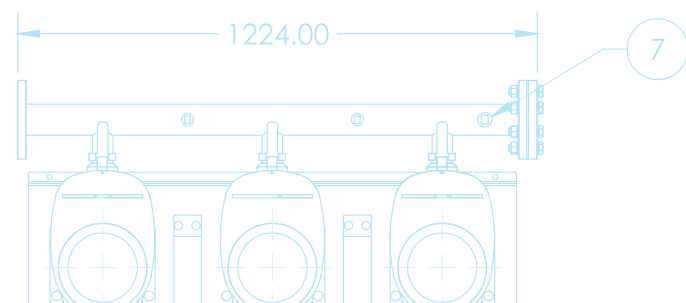
Data charts

Detailed histogram illustrating water consumption patterns



REAL-TIME PUMP DATA

- Stores and presents performance data for individual pumps.
- Control software supports manual control of pump operations.



FULL COMPLIANCE WITH ASHRAE 90.1



FULLY CERTIFIED TO NSF 61/372: DRINKING WATER SYSTEM COMPONENTS & LOW LEAD

No-flow shutdown

Senses when there is no demand in the system and shuts off the booster.

Pressure setback

Built-in logic provides feedback on flow and pressure drop during variable speed operation. This provides all the energy savings without the costs for installation and maintenance of remotely located pressure transducers.

Variable Speed Control Across Wide Operating Range

Design Envelope technology provides energy-efficient operation across a wide range of flow and pressure requirements. Demand for water pressure is met precisely and no energy is wasted on over-pumping.

Design Envelope boosters are NSF certified as a package making them a perfect choice for both new and retrofit projects.

NSF 372/61 certification ensures that water delivered by the booster package meets the strictest health requirements.

SOFTFILL

Recharge the system with water after maintenance with no risk of damage to system components.

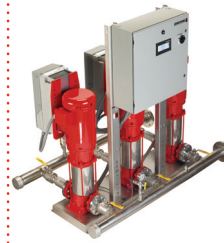
ALTERNATE SETPOINTS

Have a cooling tower running in the summer or heating boilers on your top floor? Easily select different setpoints for different seasons.

NO-FLOW PRESSURE OPTIMIZATION

Use smaller tanks to address the same demand by enabling 'Tank fill' mode to recharge your tank prior to shutdown.

BOOSTER APPLICATION RANGE



PERFORMANCE

DEPM6800G
2-5 PUMPS

DE6800G
2-5 PUMPS

DE6900
2 PUMPS

DESCRIPTION

The leading solution in the industry
DEPM motors with Design Envelope technology maximize efficiency, reduce noise and ensure reliability

Excellent all-purpose solution for applications requiring higher flowrates and boost pressures
Multiple pump configurations ensure design flexibility and ease of install and commissioning

The perfect solution for small and medium-sized applications.
Compact design has the smallest footprint in the industry.

	DEPM6800G	DE6800G	DE6900
FLOW RATE MAX gpm	580	1962	500
BOOST PRESSURE MAX psi	250	320	100
TOTAL POWER MAX hp	50	250	40

TORONTO
+1 416 755 2291

BUFFALO
+1 716 693 8813

DROITWICH SPA
+44 8444 145 145

MANCHESTER
+44 8444 145 145

BANGALORE
+91 80 4906 3555

SHANGHAI
+86 21 5237 0909

SÃO PAULO
+55 11 4785 1330

LYON
+33 4 26 83 78 74

DUBAI
+971 4 887 6775

MANNHEIM
+49 621 3999 9858

JIMBOLIA
+40 256 360 030

For more information, contact your Armstrong representative or visit us at:
ArmstrongFluidTechnology.com/ContactUs



ARMSTRONG FLUID TECHNOLOGY
ESTABLISHED 1934

ARMSTRONGFLUIDTECHNOLOGY.COM

