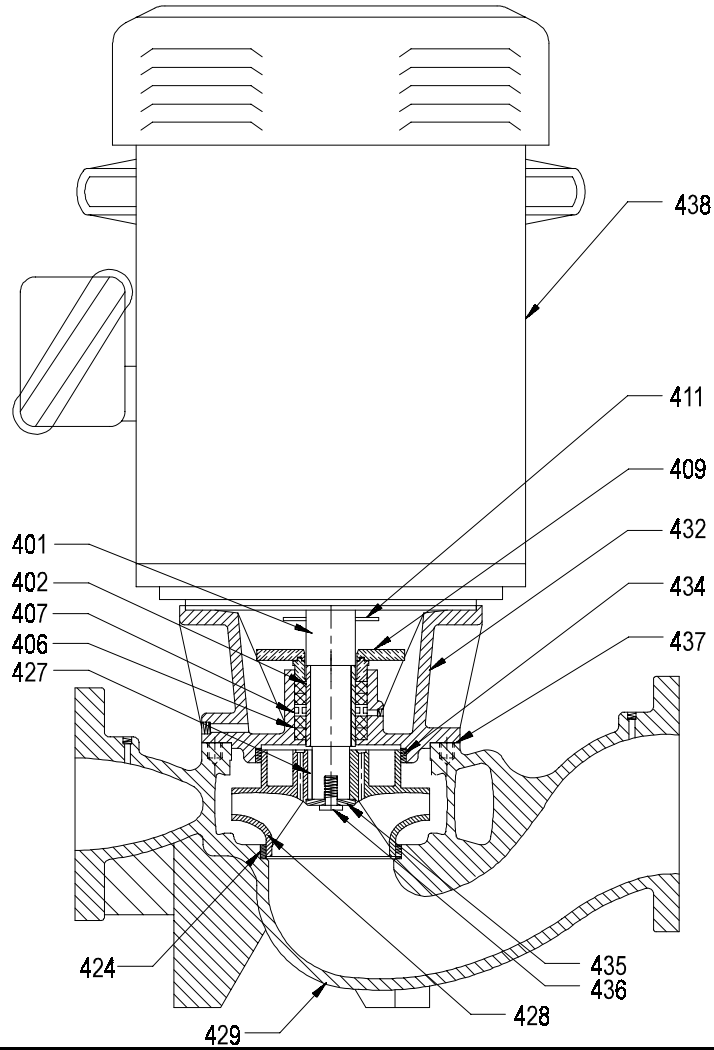


PARTS LIST

MECHANICAL SEAL

ITEM NUMBER	DESCRIPTION	MATERIAL
401	SHAFT-MOTOR	
*402	SHAFT SLEEVE	# 304 S.S.
*403	MECHANICAL SEAL	TYPE 21
411	WATER SLINGER	RUBBER
424	WEARING RING-CASING	CAST BRONZE
*427	KEY IMPELLER	STEEL
428	IMPELLER	CAST BRONZE
429	CASING	CAST IRON
432	SPACER	CAST IRON
434	WEARING RING-SPACER	CAST BRONZE
435	WASHER-IMPELLER	#303 S.S.
*436	BOLT-IMPELLER	#303 S.S.
*437	GASKET-CASING	RUBBER
438	MOTOR	

* RECOMMENDED SPARES



PARTS LIST

PACKING SEAL

ITEM NUMBER	DESCRIPTION	MATERIAL
401	SHAFT-MOTOR	
*402	SHAFT SLEEVE	# 304 S.S.
*406	PACKING	
407	LANTERN RING	TEFLON
409	GLAND	BRONZE
411	WATER SLINGER	RUBBER
424	WEARING RING-CASING	CAST BRONZE
*427	KEY IMPELLER	STEEL
428	IMPELLER	CAST BRONZE
429	CASING	CAST IRON
432	SPACER	CAST IRON
434	WEARING RING-SPACER	CAST BRONZE
435	WASHER-IMPELLER	#303 S.S.
*436	BOLT-IMPELLER	#303 S.S.
*437	GASKET-CASING	RUBBER
438	MOTOR	

* RECOMMENDED SPARES