



FILE NO.:	6043.220
DATE:	August 1, 2000
SUPERSEDES:	6043.220
DATE:	June 1, 1996

PARTS LIST

SERIES 4300

VERTICAL IN-LINE SPLIT COUPLER

IMPORTANT - PLEASE NOTE:

This Parts List applies only to pumps manufactured on or after November 29th, 1973, or pumps with a serial number 43271 or higher. Any parts required for pumps manufactured prior to November 29th, 1973, or with serial numbers lower than 43271, must be ordered by serial number, motor frame size and item number only, and may not be selected from this Parts List.

OLD DESIGN

MODEL 4300 - VERTICAL PUMP - SPLIT COUPLING

GROUP NUMBER SELECTION CHART

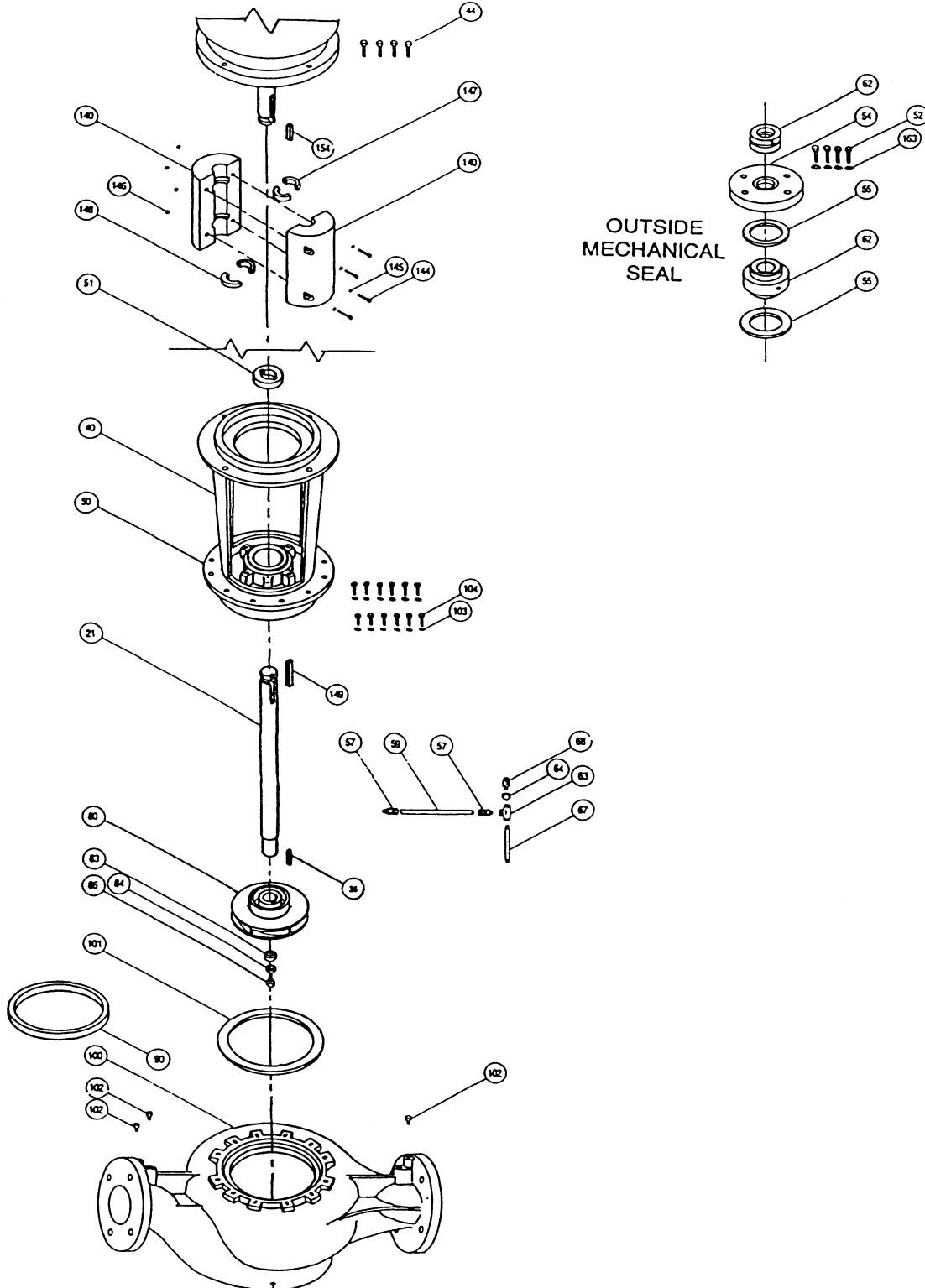
PUMP SIZE	SERIES 4300 MOTOR FRAME/P-BASE DESIGNATION*										
	MOTOR FRAME	143-145	182-184	213-215	254-256	284-286	284-286	324-326	364-365	404-405	444-445
	GROUP NO.										
1 1/2D	1	10									
	2		10								
2D	1	10									
	2		10	10							
	3				10						
3D	1	10									
	2		10	10							
	3				10						
	4					10					
4D	1	10									
	2		10	10							
	3				10						
	4					10					
1 1/2E	1	10									
	2		10	10							
	3				10						
	4					10					
2E	1	10									
	2		10	10	10						
	5						16	16	16		
3E	2		10	10							
	5						16	16	16		
4E	2		10	10							
	3				10						
	5						16	16	16		
4GN	3				10						
	5						16	16	16		
	6									16	16
6F	3		10	10	10						
	5						16	16	16		
	6									16	16
6FN	3		10	10	10						
	5						16	16	16		
	6									16	16
8F	3				10						
	5						16	16	16		
	6									16	16
8FN	5						16	16	16		
	6									16	16
6G	5						16	16	16		
	6									16	16
6GN	5						16	16	16		
	6									16	16
8G	5						16	16	16		
	6									16	16
8GN	5						16	16	16		
	6									16	16

4300 GROUP NO.	1	2	3	4	5	6
SEAL SIZE AND PUMP SHAFT DIAMETER	1 1/8"	1 1/8"	1 5/8"	1 5/8"	2-1/8"	2-1/8"
IMPELLER BORE	7/8"	7/8"	1 1/4"	1 1/4"	1 5/8"	1 5/8"
COUPLING BORE:- MOTOR SHAFT DIAMETER	7/8"	1 1/8"	1 1/8"	1 5/8"	1 5/8"	2 1/8"
:- PUMP SHAFT DIAMETER	1 1/8"	1 1/8"	1 5/8"	1 5/8"	2 1/8"	2 1/8"

* P-Base designation refers to motor register nominal BD diameter (10 or 16)

OLD STYLE VERTICAL MODEL 4300

EXPLODED VIEW



SEE PAGE 3 FOR PARTS INDEX

IMPORTANT - PLEASE NOTE:

This Parts List applies only to pumps manufactured on or after November 29th, 1973, or pumps with a serial number 43271 or higher. Any parts required for pumps manufactured prior to November 29th, 1973, or with serial numbers lower than 43271, must be ordered by serial number, motor frame size and item number only, and may not be selected from this Parts List.

PARTS INDEX					
ITEM	DESCRIPTION	PAGE	ITEM	DESCRIPTION	PAGE
21	SHAFT	24	68	AIR RELEASE VALVE	33
36	IMPELLER KEY	28	80	IMPELLER 7/8" BORE	7
40**	MOTOR/PUMP BRACKET	19	80	IMPELLER 1 1/4" BORE	8 & 9
44	MOTOR CAPSCREW	27	80	IMPELLER 1 5/8" BORE	10 & 11
50**	COVERPLATE (STUFF. BOX)	18	83	IMPELLER WASHER	17
40/50*	COMB. M/P BRKT./CVRPLT	20 & 21	86	IMPELLER CAPSCREW	17
51	SEAL CHAMBER BUSH.	27	86	IMPELLER ACORN NUT	17
52	GLAND PLATE CAPS.	27	90	WEAR RING (LOWER)	13 & 14
54	GLAND PLATE	27	not shown	WEAR RING (UPPER)	15 & 16
57	MALE CONNECTOR	33	100	VOLUTE	4, 5 & 6
59	TUBING	33	101	VOLUTE GASKET	12
62	OUTSIDE MECH. SEAL JOHN CRANE STD.	29	103	VOLUTE CAPS. WASHER	12
			104	VOLUTE CAPSCREW	12
62	OUTSIDE MECH. SEAL JOHN CRANE T.C.	30	140	COUPLER	22
			144	COUPLER CAPSCREW	23
62	OUTSIDE MECH. SEAL DURA STD.	31	145	LOCKWASHER	23
			146	NUT	23
62	OUTSIDE MECH. SEAL DURA T.C.	32	147	CPLR. RING KEY (MOTOR)	26
			148	CPLR. RING KEY (PUMP)	25
63	TEE	33	149	CPLR. SQUARE KEY (PUMP)	28
64	BUSHING	33	154	CPLR. SQUARE KEY (MOTOR)	28
67	NIPPLE	33			

NOTES: * Denotes Item 40 Adapter and Item 50 Stuffing Box are combined as a one piece casting.

** Denotes Item 40 Adapter and Item 50 Stuffing Box are separate castings.

MODEL 4300
VERTICAL IN-LINE - SPLIT COUPLER
PUMP PARTS
OLD STYLE VERTICAL

ITEM 100 VOLUTE 125# A.S.A. FLANGES

PUMP SIZE	MATERIAL	PART NUMBER*	BAR CODE
1 1/2D	CAST IRON	425521-011	
1 1/2D	BRONZE	425521-041	
2D	CAST IRON	425523-011	
2D	BRONZE	425523-041	
3D	CAST IRON	425525-011	
3D	BRONZE	425525-041	
4D	CAST IRON	425527-011	
4D	BRONZE	425527-041	
1 1/2E	CAST IRON	425531-011	
1 1/2E	BRONZE	425531-041	
2E	CAST IRON	425533-011	
2E	BRONZE	425533-041	
3E	CAST IRON	425535-011	
3E	BRONZE	425535-041	
4E	CAST IRON	425537-011	
4E	BRONZE	425537-041	

NOTES* VOLUTE PART NUMBERS ARE FOR VOLUTE ONLY, VOLUTE WEAR RING IS SOLD SEPARATELY. IF NEW VOLUTE IS REQUIRED, IT MUST BE ORDERED C/W WEAR RING.

MODEL 4300
VERTICAL IN-LINE - SPLIT COUPLER
PUMP PARTS
OLD STYLE VERTICAL

ITEM 100 VOLUTE 250# A.S.A. FLANGES

PUMP SIZE	MATERIAL	PART NUMBER*	BAR CODE
1 1/2D	CAST IRON	425522-011	
1 1/2D	BRONZE	425522-041	
2D	CAST IRON	425524-011	
2D	BRONZE	425524-041	
3D	CAST IRON	425526-011	
3D	BRONZE	425526-041	
4D	CAST IRON	425528-011	
4D	BRONZE	425528-041	
1 1/2E	CAST IRON	425532-011	
1 1/2E	BRONZE	425532-041	
2E	CAST IRON	425534-011	
2E	BRONZE	425534-041	
3E	CAST IRON	425536-011	
3E	BRONZE	425536-041	
4E	CAST IRON	425538-011	
4E	BRONZE	425538-041	

NOTES* VOLUTE PART NUMBERS ARE FOR VOLUTE ONLY, VOLUTE WEAR RING IS SOLD SEPARATELY. IF NEW VOLUTE IS REQUIRED, IT MUST BE ORDERED C/W WEAR RING.

MODEL 4300
VERTICAL IN-LINE - SPLIT COUPLER
PUMP PARTS
OLD STYLE VERTICAL

ITEM 100 VOLUTE 250# A.S.A. FLANGES

PUMP SIZE	MATERIAL	PART NUMBER*	BAR CODE
4GN	DUCTILE IRON	425874-031	
6F	DUCTILE IRON	425620-031	
6FN	DUCTILE IRON	425620-031	
6G	DUCTILE IRON	425630-031	
6GN	DUCTILE IRON	425630-031	
8F	DUCTILE IRON	425720-031	
8FN	DUCTILE IRON	425720-031	
8G	DUCTILE IRON	425654-031	
8GN	DUCTILE IRON	425654-031	

NOTES* VOLUTE PART NUMBERS ARE FOR VOLUTE ONLY, VOLUTE WEAR RING IS SOLD SEPARATELY. IF NEW VOLUTE IS REQUIRED, IT MUST BE ORDERED C/W WEAR RING.

MODEL 4300
VERTICAL IN-LINE - SPLIT COUPLER
PUMP PARTS
OLD STYLE VERTICAL

ITEM 80 IMPELLER 7/8" BORE**

PUMP SIZE	MATERIAL	IMP. BORE	MAX. DIA.	PART NUMBER	BAR CODE
1 1/2 D	BRONZE	7/8"	7"	411860-041	
1 1/2 D	CAST IRON	7/8"	7"	411860-011	
2 D	BRONZE	7/8"	7"	411860-041	
2 D	CAST IRON	7/8"	7"	411860-011	
3 D	BRONZE	7/8"	7"	425529-041	
3 D	CAST IRON	7/8"	7"	425529-011	
4 D	BRONZE	7/8"	7"	411874-041	
4 D	CAST IRON	7/8"	7"	411874-011	
1 1/2 E	BRONZE	7/8"	9 1/2"	407922-041	
1 1/2 E	CAST IRON	7/8"	9 1/2"	407922-011	
2 E	BRONZE	7/8"	9 1/2"	411881-041	
2 E	CAST IRON	7/8"	9 1/2"	411881-011	
3 E	BRONZE	7/8"	9 1/2"	419465-041	
3 E	CAST IRON	7/8"	9 1/2"	419465-011	
4 E	BRONZE	7/8"	9 1/2"	425540-041	
4 E	CAST IRON	7/8"	9 1/2"	425540-011	

** Impeller Part Numbers are for full or maximum diameter Impellers. Always specify Pump Serial Number and where possible, measure and advise the diameter of the Impeller being replaced on these Pumps.

IMPELLERS CONTINUED ON PAGE 8

MODEL 4300
VERTICAL IN-LINE - SPLIT COUPLER
PUMP PARTS
OLD STYLE VERTICAL

ITEM 80 IMPELLER 1 1/4" BORE**

PUMP SIZE	MATERIAL	IMP. BORE	MAX. DIA.	PART NUMBER	BAR CODE
1 1/2 D	BRONZE	1 1/4"	7"	419229-041	
1 1/2 D	CAST IRON	1 1/4"	7"	419229-011	
2 D	BRONZE	1 1/4"	7"	419229-041	
2 D	CAST IRON	1 1/4"	7"	419229-011	
3 D	BRONZE	1 1/4"	7"	425530-041	
3 D	CAST IRON	1 1/4"	7"	425530-011	
4 D	BRONZE	1 1/4"	7"	419236-041	
4 D	CAST IRON	1 1/4"	7"	419236-011	
1 1/2 E	BRONZE	1 1/4"	9 1/2"	419238-041	
1 1/2 E	CAST IRON	1 1/4"	9 1/2"	419238-011	
2 E	BRONZE	1 1/4"	9 1/2"	419239-041	
2 E	CAST IRON	1 1/4"	9 1/2"	419239-011	
3 E	BRONZE	1 1/4"	9 1/2"	419241-041	
3 E	CAST IRON	1 1/4"	9 1/2"	419241-011	
4 E	BRONZE	1 1/4"	9 1/2"	425539-041	
4 E	CAST IRON	1 1/4"	9 1/2"	425539-011	

** Impeller Part Numbers are for full or maximum diameter Impellers. Always specify Pump Serial Number and where possible, measure and advise the diameter of the Impeller being replaced on these Pumps.

1 1/4" BORE IMPELLERS CONTINUED ON PAGE 9

MODEL 4300
VERTICAL IN-LINE - SPLIT COUPLER
PUMP PARTS
OLD STYLE VERTICAL

ITEM 80 IMPELLER 1 1/4" BORE**

PUMP SIZE	MATERIAL	IMP. BORE	MAX. DIA.	PART NUMBER	BAR CODE
4GN	BRONZE	1 1/4"	13"	425774-041	
4GN	CAST IRON	1 1/4"	13"	425774-011	
6F	BRONZE	1 1/4"	11"	425714-041	
6F	CAST IRON	1 1/4"	11"	425714-011	
6FN	BRONZE	1 1/4"	11"	425715-041	
8F	BRONZE	1 1/4"	11"	425723-041	
8F	CAST IRON	1 1/4"	11"	425723-011	

** Impeller Part Numbers are for full or maximum diameter Impellers. Always specify Pump Serial Number and where possible, measure and advise the diameter of the Impeller being replaced on these Pumps.

MODEL 4300
VERTICAL IN-LINE - SPLIT COUPLER
PUMP PARTS
OLD STYLE VERTICAL

ITEM 80 IMPELLER** 1 5/8" BORE					
PUMP SIZE	MATERIAL	IMP. BORE	MAX. DIA.	PART NUMBER	BAR CODE
2 E	BRONZE	1 5/8"	9 1/2"	425775-041	
2 E	CAST IRON	1 5/8"	9 1/2"	425775-011	
3 E	BRONZE	1 5/8"	9 1/2"	425658-041	
3 E	CAST IRON	1 5/8"	9 1/2"	425658-041	
4 E	BRONZE	1 5/8"	9 1/2"	425776-041	
4 E	CAST IRON	1 5/8"	9 1/2"	425776-011	
6F	BRONZE	1 5/8"	11"	425731-041	
6F	CAST IRON	1 5/8"	11"	425731-011	
6FN	BRONZE	1 5/8"	11"	425732-041	
6FN	CAST IRON	1 5/8"	11"	425732-011	
8F	BRONZE	1 5/8"	11"	425724-041	
8FN	CAST IRON	1 5/8"	11"	425724-011	
4GN	BRONZE	1 5/8"	13"	425884-041	
4GN	CAST IRON	1 5/8"	13"	425884-011	

** Impeller Part Numbers are for full or maximum diameter Impellers. Always specify Pump Serial Number and where possible, measure and advise the diameter of the Impeller being replaced on these Pumps.

1 5/8" BORE IMPELLERS CONTINUED ON PAGE 11

MODEL 4300
VERTICAL IN-LINE - SPLIT COUPLER
PUMP PARTS
OLD STYLE VERTICAL

ITEM 80 IMPELLER** 1 5/8" BORE					
PUMP SIZE	MATERIAL	IMP. BORE	MAX. DIA.	PART NUMBER	BAR CODE
6G	BRONZE	1 5/8"	13"	425733-041	
6G	CAST IRON	1 5/8"	13"	425733-011	
6GN	BRONZE	1 5/8"	13"	425734-041	
6GN	CAST IRON	1 5/8"	13"	425734-011	
8G	BRONZE	1 5/8"	13"	425735-041	
8G	CAST IRON	1 5/8"	13"	425735-011	
8GN	BRONZE	1 5/8"	13"	425736-041	
8GN	CAST IRON	1 5/8"	13"	425736-011	

** Impeller Part Numbers are for full or maximum diameter Impellers. Always specify Pump Serial Number and where possible, measure and advise the diameter of the Impeller being replaced on these Pumps.

MODEL 4300
VERTICAL IN-LINE - SPLIT COUPLER
PUMP PARTS
OLD STYLE VERTICAL

ITEM 101 VOLUTE GASKET					
PUMP SIZE	CONS.	PART NO.	BAR CODE		
1 1/2D TO 4D	ALL	106592-000			
1 1/2E TO 4E	ALL	406604-000			
ITEM 101 VOLUTE "O" RING					
PUMP SIZE	CONS.	PART NO.	BAR CODE		
6F TO 8FN	ALL	961131-451			
4GN, 6G TO 8GN	ALL	961131-455			
ITEM 104 VOLUTE CAPSCREW					
PUMP SIZE	CONS.	PART NO.	REQ'D	SIZE	BAR CODE
1 1/2D TO 4D	ALL	911121-114	8	3/8-NCX1 3/4" HX. HD.	
1 1/2E TO 4E	ALL	911123-110	12	7/16-NCX1 1/4" HX. HD.	
6F TO 8FN	ALL	911825-112	12	1/2-NCX1 1/2" SKT. HD.	
4GN, 6G TO 8GN	ALL	911825-112	18	1/2-NCX1 1/2" SKT. HD.	
ITEM 103 VOLUTE CAPSCREW LOCKWASHER					
PUMP SIZE	CONS.	PART NO.	REQ'D	SIZE AND MATERIAL	BAR CODE
1 1/2D TO 4D	ALL	927211-100	8	3/8" CARBON STEEL	
1 1/2E TO 4E	ALL	927212-100	12	7/16" CARBON STEEL	
6F TO 8FN	ALL	927213-100	12	1/2" CARBON STEEL	
4GN, 6G TO 8GN	ALL	927213-100	18	1/2" CARBON STEEL	

MODEL 4300
VERTICAL IN-LINE - SPLIT COUPLER
PUMP PARTS
OLD STYLE VERTICAL

ITEM 90 VOLUTE WEAR RING (LOWER)			
PUMP SIZE	MATERIAL	PART NUMBER	BAR CODE
1 1/2D	BRONZE	425550-041	
1 1/2D	CAST IRON	425550-071	
2D	BRONZE	425550-041	
2D	CAST IRON	425550-071	
3D	BRONZE	425550-045	
3D	CAST IRON	425550-075	
4D	BRONZE	425550-045	
4D	CAST IRON	425550-075	
<hr/>			
1 1/2E	BRONZE	425550-041	
1 1/2E	CAST IRON	425550-071	
2E	BRONZE	425550-043	
2E	CAST IRON	425550-073	
3E	BRONZE	425550-045	
3E	CAST IRON	425550-075	
4E	BRONZE	425550-047	
4E	CAST IRON	425550-077	

LOWER WEAR RINGS CONTINUED ON PAGE 14

MODEL 4300
VERTICAL IN-LINE - SPLIT COUPLER
PUMP PARTS
OLD STYLE VERTICAL

ITEM 90 VOLUTE WEAR RING (LOWER) cont'd			
PUMP SIZE	MATERIAL	PART NUMBER	BAR CODE
6F	BRONZE	425550-055	
6F	CAST IRON	425550-085	
6FN	BRONZE	425550-055	
6FN	CAST IRON	425550-085	
8F	BRONZE	425550-057	
8F	CAST IRON	425550-087	
8FN	BRONZE	425550-057	
8FN	CAST IRON	425550-087	
4GN	BRONZE	425550-055	
4GN	CAST IRON	425550-085	
6G	BRONZE	425550-057	
6G	CAST IRON	425550-087	
6GN	BRONZE	425550-057	
6GN	CAST IRON	425550-087	
8G	BRONZE	425550-059	
8G	CAST IRON	425550-089	
8GN	BRONZE	425550-059	
8GN	CAST IRON	425550-089	

MODEL 4300
VERTICAL IN-LINE - SPLIT COUPLER
PUMP PARTS
OLD STYLE VERTICAL

COVERPLATE WEAR RING (UPPER)			
PUMP SIZE	MATERIAL	PART NUMBER	BAR CODE
1 1/2D	BRONZE	425550-049	
1 1/2D	CAST IRON	425550-079	
2D	BRONZE	425550-049	
2D	CAST IRON	425550-079	
3D	BRONZE	425550-049	
3D	CAST IRON	425550-079	
4D	BRONZE	425550-049	
4D	CAST IRON	425550-079	
<hr/>			
1 1/2E	BRONZE	425550-051	
1 1/2E	CAST IRON	425550-081	
2E	BRONZE	425550-051	
2E	CAST IRON	425550-081	
3E	BRONZE	425550-051	
3E	CAST IRON	425550-081	
4E	BRONZE	425550-051	
4E	CAST IRON	425550-081	

UPPER WEAR RINGS CONTINUED ON PAGE 16

MODEL 4300
VERTICAL IN-LINE - SPLIT COUPLER
PUMP PARTS
OLD STYLE VERTICAL

COVERPLATE WEAR RING (UPPER) cont'd			
PUMP SIZE	MATERIAL	PART NUMBER	BAR CODE
6F	BRONZE	425550-051	
6F	CAST IRON	425550-081	
6FN	BRONZE	425550-051	
6FN	CAST IRON	425550-081	
8F	BRONZE	425550-051	
8F	CAST IRON	425550-081	
8FN	BRONZE	425550-051	
8FN	CAST IRON	425550-081	
<hr/>			
4GN	BRONZE	425550-053	
4GN	CAST IRON	425550-083	
6G	BRONZE	425550-053	
6G	CAST IRON	425550-083	
6GN	BRONZE	425550-053	
6GN	CAST IRON	425550-083	
8G	BRONZE	425550-053	
8G	CAST IRON	425550-083	
8GN	BRONZE	425550-053	
8GN	CAST IRON	425550-083	

MODEL 4300
VERTICAL IN-LINE - SPLIT COUPLER
PUMP PARTS
 OLD STYLE VERTICAL

ITEM 86 IMPELLER CAPSCREW			
SHAFT SIZE	CONS.	PART NUMBER	BAR CODE
1 1/8"	ALL	911900-114	
1 5/8"	ALL	911900-115	

ITEM 86 IMPELLER ACORN NUT			
2 1/8"	ALL	425665-001	

ITEM 83 IMPELLER WASHER			
SHAFT SIZE	CONS.	PART NUMBER	BAR CODE
1 1/8"	ALL	425742-001	
1 5/8"	ALL	425742-003	
2 1/8"	ALL	425742-005	

MODEL 4300
VERTICAL IN-LINE - SPLIT COUPLER
PUMP PARTS
 OLD STYLE VERTICAL

ITEM 50 COVERPLATE (STUFFING BOX)				
		MOTOR FRAMES		
		143-145 10BD*		
PUMP SIZE	CONST.	184-186 10BD*	213-215 10BD*	BAR CODE
1 1/2D	B.F. - A.I.	425544-012		
1 1/2D				
2D				
2D				
3D	A.B.	425544-042		
3D				
4D				
4D				
1 1/2E	B.F. - A.I.	425545-012		
1 1/2E				
2E				
2E				
3E	A.B.	425545-042		
3E				
4E				
4E				

* P-Base designation, refers to motor register nominal BD diameter of 10"

MODEL 4300
VERTICAL IN-LINE - SPLIT COUPLER
PUMP PARTS
OLD STYLE VERTICAL

ITEM 40 MOTOR/PUMP BRACKET			
	MOTOR FRAME		
	143-145 BD10*		
PUMP SIZE	182-186 BD10*	213-215 BD10*	
1 1/2D	ALL		
2D	CONSTRUCTIONS		
3D			
4D			
1 1/2E	425548-011		
2E			
3E			
4E			

* P-Base designation, refers to motor register nominal BD diameter (10" or 16")

MODEL 4300
VERTICAL IN-LINE - SPLIT COUPLER
PUMP PARTS
OLD STYLE VERTICAL

ITEMS 40 & 50 COMBINATION M/P BRACKET						
MOTOR FRAME	254-256 10BD*		284-286 10BD*		284-286 16BD* 324-326 16BD* 364-365 16BD*	
	CONST.	B.F - A.I.	A.B.	B.F. - A.I.	A.B.	B.F. - A.I.
PUMP SIZE						
2D	425693-011					
3D	425693-011	425693-041	425693-011	425693-041		
4D	425693-011	425693-041	425693-011	425693-041		
1 1/2E	425692-011	425692-041	425692-011	425692-041		
2E					425646-011	425646-041
3E	425692-011	425692-041			425646-011	425646-041
4E					425546-011	425546-041

* P-Base designation, refers to motor register nominal BD diameter (10" or 16")

BAR CODES		
CONSTRUCTION	PART NUMBER	BAR CODE
A.I. - B.F.	425545-012	
A.B.	425545-042	
A.I. - B.F.	425646-011	
A.B.	425646-041	
A.I. - B.F.	425692-011	
A.B.	425692-041	
A.I. - B.F.	425693-011	
A.B.	425693-041	

COMBINATION M/P BRACKETS CONTINUED ON PAGE 21

MODEL 4300
VERTICAL IN-LINE - SPLIT COUPLER
PUMP PARTS
 OLD STYLE VERTICAL
GROUPS 3,4,5 & 6

ITEMS 40 & 50 COMBINATION M/P BRACKET cont'd			
	184-186 BD10*	284-286 16BD*	
MOTOR FRAME	213-215 BD10*	324-326 16BD*	404/405 16BD*
	254-256 BD10*	364-365 16BD*	444/445 16BD*
CONSTRUCTION	AVAILABLE IN B.F. OR A.I. CONSTRUCTION ONLY		
PUMP SIZE			
4GN	428270-031	425896-031	
6F	428268-031	425660-031	425660-031
6FN	428268-031	425660-031	425660-031
8F		425660-031	425660-031
8FN		425660-031	425660-031
6G		425661-031	425661-031
6GN		425661-031	425661-031
8G		425661-031	425661-031
8GN		425661-031	425661-031

* P-Base designation, refers to motor register nominal BD diameter (10" or 16")

BAR CODES		
CONSTRUCTION	PART NUMBER	BAR CODE
B.F. - A.I.	425660-031	
B.F. - A.I.	425661-031	
B.F. - A.I.	425869-031	
B.F. - A.I.	428268-031	
B.F. - A.I.	428270-031	

MODEL 4300
VERTICAL IN-LINE - SPLIT COUPLER
PUMP PARTS
OLD STYLE VERTICAL

ITEM 140 COUPLER						
MOTOR	143-145	182-184	254-256	284-286 10BD*	284-286 16BD*	404-405
FRAME		213-215			324-326	444-445
PUMP SIZE					364-365	
1 1/2D	425697-000	425512-000				
2D	425697-000	425512-000	425751-000			
3D	425697-000	425512-000	425751-000	425519-000		
4D	425697-000	425512-000	425751-000	425519-000		
1 1/2E	425697-000	425512-000	425751-000	425519-000		
2E	425697-000	425512-000	425751-000		425659-000	
3E		425512-000	425751-000		425659-000	
4E		425512-000	425751-000		425659-000	
4GN			425751-000		425659-000	
6F		425751-000	425751-000		425659-000	425650-000
6FN		425751-000	425751-000		425659-000	425650-000
8F			425751-000		425659-000	425650-000
8FN					425659-000	425650-000
6G					425659-000	425650-000
6GN					425659-000	425650-000
8G					425659-000	425650-000
8GN					425659-000	425650-000

* P-Base designation, refers to motor register nominal BD diameter (10" or 16")

BAR CODES		
CONSTRUCTION	PART NUMBER	BAR CODE
B.F. - A.I. - A.B.	425512-000	
B.F. - A.I. - A.B.	425519-000	
B.F. - A.I. - A.B.	425650-000	
B.F. - A.I. - A.B.	425659-000	
B.F. - A.I. - A.B.	425697-000	
B.F. - A.I. - A.B.	425751-000	

MODEL 4300
VERTICAL IN-LINE - SPLIT COUPLER
PUMP PARTS
OLD STYLE VERTICAL

ITEM 144 COUPLING BOLT (4 REQ'D)			
SHAFT SIZE	CONST.	PART NUMBER	BAR CODE
1 1/8"	ALL	911119-216	
1 5/8"	ALL	911121-218	
2 1/8"	ALL	911121-224	

ITEM 145 COUPLER CAPS. LOCKWASHER			
SHAFT SIZE	CONST.	PART NUMBER	BAR CODE
1 1/8"	ALL	927210-100	
1 5/8"	ALL	927211-100	
2 1/8"	ALL	927211-100	

ITEM 146 COUPLER CAPSCREW NUT			
SHAFT SIZE	CONST.	PART NUMBER	BAR CODE
1 1/8"	ALL	913119-200	
1 5/8"	ALL	913121-200	
2 1/8"	ALL	913121-200	

MODEL 4300
VERTICAL IN-LINE - SPLIT COUPLER
PUMP PARTS
OLD STYLE VERTICAL

ITEM 21 SHAFT						
MOTOR FRAME	143-145	182-184 213-215	254-256	284-286 10BD*	284-286 16BD* 324-326 364-365	404-405 444-445
	PUMP SIZE					
1 1/2D	425514-000	425514-000				
2D	425514-000	425514-000	425516-000			
3D	425514-000	425514-000	425516-000	425516-000		
4D	425514-000	425514-000	425516-000	425516-000		
1 1/2E	425514-000	425514-000	425516-000	425516-000		
2E	425514-000	425514-000	425516-000		425739-000	
3E		425514-000	425516-000		425739-000	
4E		425514-000	425516-000		425739-000	
4GN			425516-000		425739-000	
6F		425516-000	425516-000		425739-000	425739-000
6FN		425516-000	425516-000		425739-000	425739-000
8F			425516-000		425739-000	425739-000
8FN					425739-000	425739-000
6G					425739-000	425739-000
6GN					425739-000	425739-000
8G					425739-000	425739-000
8GN					425739-000	425739-000

* P-Base designation, refers to motor register nominal BD diameter (10" or 16")

BAR CODES		
CONSTRUCTION	PART NUMBER	BAR CODE
B.F. - A.I. - A.B.	425514-000	
B.F. - A.I. - A.B.	425516-000	
B.F. - A.I. - A.B.	425739-000	

MODEL 4300
VERTICAL IN-LINE - SPLIT COUPLER
PUMP PARTS
OLD STYLE VERTICAL

ITEM 148 RING KEY (PUMP SHAFT)						
MOTOR FRAME	143-145	182-184 213-215	254-256	284-286 10BD*	284-286 16BD* 324-326 364-365	404-405 444-445
PUMP SIZE						
1 1/2D	425513-000	425513-000				
2D	425513-000	425513-000	425518-000			
3D	425513-000	425513-000	425518-000	425518-000		
4D	425513-000	425513-000	425518-000	425518-000		
1 1/2E	425513-000	425513-000	425518-000	425518-000		
2E	425513-000	425513-000	425518-000		425651-000	
3E		425513-000	425518-000		425651-000	
4E		425513-000	425518-000		425651-000	
4GN		425518-000			425651-000	
6F		425518-000	425518-000		425651-000	425651-000
6FN		425518-000	425518-000		425651-000	425651-000
8F			425518-000		425651-000	425651-000
8FN					425651-000	425651-000
6G					425651-000	425651-000
6GN					425651-000	425651-000
8G					425651-000	425651-000
8GN					425651-000	425651-000

* P-Base designation, refers to motor register nominal BD diameter (10" or 16")

BAR CODES		
CONSTRUCTION	PART NUMBER	BAR CODE
B.F. - A.I. - A.B.	425513-000	
B.F. - A.I. - A.B.	425518-000	
B.F. - A.I. - A.B.	425651-000	

MODEL 4300
VERTICAL IN-LINE - SPLIT COUPLER
PUMP PARTS
OLD STYLE VERTICAL

ITEM 147 RING KEY (MOTOR SHAFT)						
MOTOR FRAME	143-145	182-184 213-215	254-256	284-286 10BD*	284-286 16BD* 324-326 364-365	404-405 444-445
PUMP SIZE						
1 1/2D	425698-000	425513-000				
2D	425698-000	425513-000	425513-000			
3D	425698-000	425513-000	425513-000	425518-000		
4D	425698-000	425513-000	425513-000	425518-000		
1 1/2E	425698-000	425513-000	425513-000	425518-000		
2E	425698-000	425513-000	425513-000		425518-000	
3E		425513-000	425513-000		425518-000	
4E		425513-000	425513-000		425518-000	
4GN		425513-000			425518-000	
6F		425513-000	425513-000		425518-000	425651-000
6FN		425513-000	425513-000		425518-000	425651-000
8F			425513-000		425518-000	425651-000
8FN					425518-000	425651-000
6G					425518-000	425651-000
6GN					425518-000	425651-000
8G					425518-000	425651-000
8GN					425518-000	425651-000

* P-Base designation, refers to motor register nominal BD diameter (10" or 16")

BAR CODES		
CONSTRUCTION	PART NUMBER	BAR CODE
BF. - A.I. - A.B.	425513-000	
BF. - A.I. - A.B.	425518-000	
BF. - A.I. - A.B.	425651-000	
BF. - A.I. - A.B.	425698-000	

MODEL 4300
VERTICAL IN-LINE - SPLIT COUPLER
PUMP PARTS
OLD STYLE VERTICAL

ITEM 44 MOTOR CAPSCREW (4 REQ'D)			
PUMP SIZE	SIZE	PART NO.	BAR CODE
1 1/2D TO 4D	3/8-NCX1 1/4" HEX. HD.	911121-110	
1 1/2E TO 4E	3/8-NCX1 1/4" HEX. HD.	911121-110	
6F TO 8FN	5/8-NCX1 3/4" HEX. HD.	911129-114	
4GN, 6G TO 8GN	5/8-NCX1 3/4" HEX. HD.	911129-114	

ITEM 54 GLAND PLATE			
SHAFT SIZE	CONS.	PART NUMBER	BAR CODE
1 1/8"	ALL	425549-001	
1 5/8"	ALL	425549-002	
2 1/8"	ALL	425652-000	

ITEM 52 GLAND PLATE CAPSCREW (4 REQ'D)			
SHAFT SIZE	CONS.	PART NUMBER	BAR CODE
1 1/8" & 1 5/8"	ALL	911121-412	
2 1/8"	ALL	911123-412	

ITEM 51 SEAL CHAMBER BUSHING			
SHAFT SIZE	CONS.	PART NUMBER	BAR CODE
1 1/8"	ALL	425520-002	
1 5/8"	ALL	425520-001	
2 1/8"	ALL	425520-003	

MODEL 4300
VERTICAL IN-LINE - SPLIT COUPLER
PUMP PARTS
OLD STYLE VERTICAL

ITEM 36 IMPELLER KEY			
SHAFT SIZE	CONST.	PART NUMBER	BAR CODE
1 1/8"	ALL	974515-400	
1 5/8"	ALL	974523-400	
2 1/8"	ALL	974538-400	

ITEM 154 MOTOR SHAFT STRAIGHT KEY				
PUMP GROUP	CONST.	SIZE	PART NUMBER	BAR CODE
1	ALL	3/16"SQ.X 1 1/2" S/S	428160-710	
2 and 3	ALL	1/4"SQ.X 1 1/4" S/S	428161-708	
4 and 5	ALL	3/8"SQ.X 2 1/2" S/S	428163-720	
6	ALL	5/8"SQ.X 2 1/2" S/S	428165-720	

ITEM 149 PUMP SHAFT STRAIGHT KEY				
SHAFT SIZE	CONST.	SIZE	PART NUMBER	BAR CODE
1 1/8"	ALL	1/4"SQ.X 1 1/2" S/S	428161-712	
1 5/8"	ALL	3/8"SQX 2 1/2" S/S	428163-720	
2 1/8"	ALL	1/2"SQ.X 2 1/2" S/S	428164-720	

MODEL 4300

VERTICAL IN-LINE - SPLIT COUPLER

PUMP PARTS

OLD STYLE VERTICAL

ITEM 62 MECHANICAL SEAL ASSEMBLY (JOHN CRANE STD.)						
	143-145	182-184	254-256	284-286 10BD*	284-286 16BD*	404-405
MOTOR FRAME		213-215			324-326	444-445
					364-365	
PUMP SIZE						
1 1/2D	975000-955	975000-955				
2D	975000-955	975000-955	975000-956			
3D	975000-955	975000-955	975000-956	975000-956		
4D	975000-955	975000-955	975000-956	975000-956		
1 1/2E	975000-955	975000-955	975000-956	975000-956		
2E	975000-955	975000-955	975000-956		975000-957	
3E		975000-955	975000-956		975000-957	
4E		975000-955	975000-956		975000-957	
6F		975000-956	975000-956		975000-957	975000-957
6FN		975000-956	975000-956		975000-957	975000-957
8F			975000-956		975000-957	975000-957
8FN					975000-957	975000-957
4GN		975000-956			975000-957	
6G					975000-957	975000-957
6GN					975000-957	975000-957
8G					975000-957	975000-957
8GN					975000-957	975000-957

CONSTRUCTION		SEAL SIZES	BAR CODE
CARBON	CARBON	975000-955 -- 1 1/8" I.D.	
ROTATING	STATIONARY	975000-956 -- 1 5/8" I.D.	
FACE	SEAT	975000-957 -- 2 1/8" I.D.	

* P-Base designation, refers to motor register nominal BD diameter (10" or 16")

MODEL 4300

VERTICAL IN-LINE - SPLIT COUPLER

PUMP PARTS

OLD STYLE VERTICAL

ITEM 62 MECHANICAL SEAL ASSEMBLY (JOHN CRANE TC)						
	143-145	182-184	254-256	284-286 10BD*	284-286 16BD*	404-405
MOTOR FRAME		213-215			324-326	444-445
					364-365	
PUMP SIZE						
1 1/2D	975000-965	975000-965				
2D	975000-965	975000-965	975000-966			
3D	975000-965	975000-965	975000-966	975000-966		
4D	975000-965	975000-965	975000-966	975000-966		
1 1/2E	975000-965	975000-965	975000-966	975000-966		
2E	975000-965	975000-965	975000-966		975000-967	
3E		975000-965	975000-966		975000-967	
4E		975000-965	975000-966		975000-967	
6F		975000-966	975000-966		975000-967	975000-967
6FN		975000-966	975000-966		975000-967	975000-967
8F			975000-966		975000-967	975000-967
8FN					975000-967	975000-967
4GN		975000-966			975000-967	
6G					975000-967	975000-967
6GN					975000-967	975000-967
8G					975000-967	975000-967
8GN					975000-967	975000-967

CONSTRUCTION		SEAL SIZES	BAR CODE
CARBON	TUNGSTEN CARBIDE	975000-965 -- 1 1/8" I.D.	
ROTATING	STATIONARY	975000-966 -- 1 5/8" I.D.	
FACE	SEAT	975000-967 -- 2 1/8" I.D.	

* P-Base designation, refers to motor register nominal BD diameter (10" or 16")

MODEL 4300

VERTICAL IN-LINE - SPLIT COUPLER

PUMP PARTS

OLD STYLE VERTICAL

ITEM 62 MECHANICAL SEAL ASSEMBLY (DURA STD.)						
	143-145	182-184	254-256	284-286 10BD*	284-286 16BD*	404-405
MOTOR FRAME		213-215			324-326	444-445
					364-365	
PUMP SIZE						
1 1/2D	975002-003	975002-003				
2D	975002-003	975002-003	975002-033			
3D	975002-003	975002-003	975002-033	975002-033		
4D	975002-003	975002-003	975002-033	975002-033		
1 1/2E	975002-003	975002-003	975002-033	975002-033		
2E	975002-003	975002-003	975002-033		975002-073	
3E		975002-003	975002-033		975002-073	
4E		975002-003	975002-033		975002-073	
6F		975002-033	975002-033		975002-073	975002-073
6FN		975002-033	975002-033		975002-073	975002-073
8F			975002-033		975002-073	975002-073
8FN					975002-073	975002-073
4GN		975002-033			975002-073	
6G					975002-073	975002-073
6GN					975002-073	975002-073
8G					975002-073	975002-073
8GN					975002-073	975002-073

CONSTRUCTION		SEAL SIZES	BAR CODE
DURACHROME ROTATING FACE	CARBON	975002-003 -- 1 1/8" I.D.	
	STATIONARY	975002-033 -- 1 5/8" I.D.	
	SEAT	975002-073 -- 2 1/8" I.D.	

* P-Base designation, refers to motor register nominal BD diameter (10" or 16")

MODEL 4300

VERTICAL IN-LINE - SPLIT COUPLER

PUMP PARTS

OLD STYLE VERTICAL

ITEM 62 MECHANICAL SEAL ASSEMBLY (DURA TC)						
	143-145	182-184	254-256	284-286 10BD*	284-286 16BD*	404-405
MOTOR FRAME		213-215			324-326	444-445
					364-365	
PUMP SIZE						
1 1/2D	975002-001	975002-001				
2D	975002-001	975002-001	975002-031			
3D	975002-001	975002-001	975002-031	975002-031		
4D	975002-001	975002-001	975002-031	975002-031		
1 1/2E	975002-001	975002-001	975002-031	975002-031		
2E	975002-001	975002-001	975002-031		975002-071	
3E		975002-001	975002-031		975002-071	
4E		975002-001	975002-031		975002-071	
6F		975002-031	975002-031		975002-071	975002-071
6FN		975002-031	975002-031		975002-071	975002-071
8F			975002-031		975002-071	975002-071
8FN					975002-071	975002-071
4GN		975002-031			975002-071	
6G					975002-071	975002-071
6GN					975002-071	975002-071
8G					975002-071	975002-071
8GN					975002-071	975002-071

CONSTRUCTION		SEAL SIZES	BAR CODE
TUNGSTEN CARBIDE	CARBON	975002-001 -- 1 1/8" I.D.	
ROTATING	STATIONARY	975002-031 -- 1 5/8" I.D.	
FACE	SEAT	975002-071 -- 2 1/8" I.D.	

* P-Base designation, refers to motor register nominal BD diameter (10" or 16")

MODEL 4300
VERTICAL IN-LINE - SPLIT COUPLER
PUMP PARTS
OLD STYLE VERTICAL

FLUSH LINE				
COMMON PARTS FOR OUTSIDE AND INSIDE SEAL ARRANGEMENTS				
ITEM NO.	DESCRIPTION	CONSTRUCTION	PART NUMBER	BAR CODE
57	MALE CONNECTOR	BF - DBF	939001-114	
	3/8" TUBE X 1/4"NPT	AI - DI	939001-214	
59	TUBING 20" REQUIRED	BF - DBF	997531-004	
	3/8"OD X .035 WALL	AI - DI	997153-004	
63	TEE	BF - DBF	935101-001	
	1/4" NPT	AI - DI	931101-101	
64	BUSHING	BF - DBF	935123-050	
	1/4" X 1/8" NPT	AI - DI	931123-150	
67	NIPPLE	BF - DBF	938103-001	
	1/4" X 2 1/2"	AI - DI	938003-101	
68	AIR RELEASE VALVE	BF - DBF	939018-101	
		AI - DI	218644-000	

NOTES:

BF - DBF ---- DENOTES BRONZE FITTED - DUCTILE BRONZE FITTED

AI - DI ----- DENOTES ALL IRON - DUCTILE IRON