
ES, VIL and HSC Fire pumps

Recommended Parts lists

File No: FO.58
Date: DECEMBER 27, 2022
Supersedes: FO.58
Date: FEBRUARY 11, 2022

—

—

—

—

CONTENTS

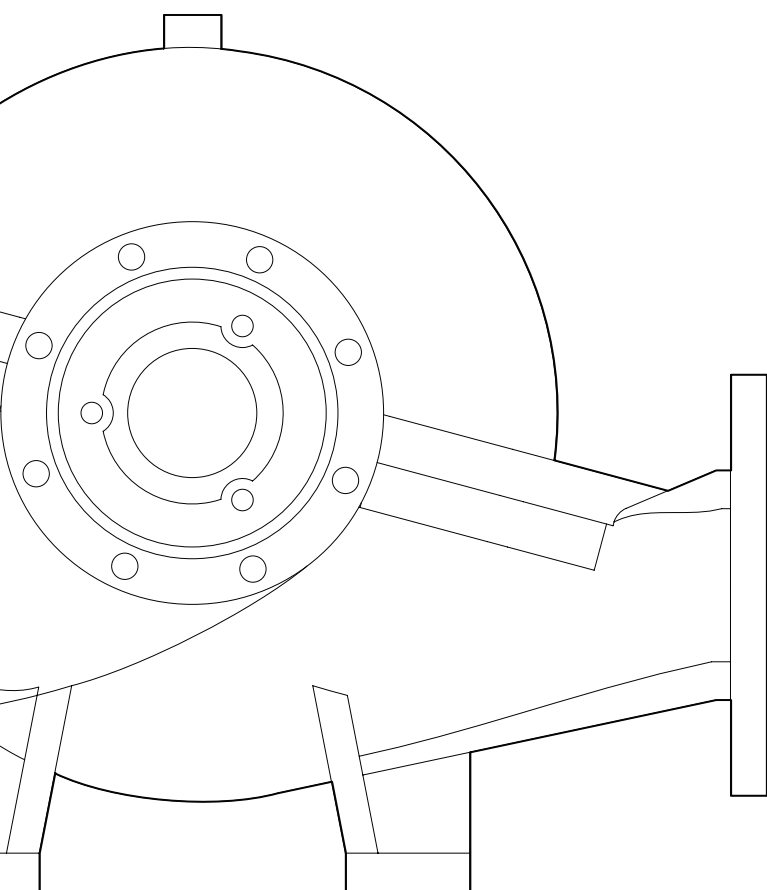
FILE NAME	FILE NUMBER	PAGE
Series 4600 HSC Fire Pumps	F46.58	5-10
End suction Fire Pumps	F40.58	11-14
Series VII - LF Fire Pumps	F43.581	15-18
Series VII Fire Pumps	F43.58	19-22

—

—

—

—

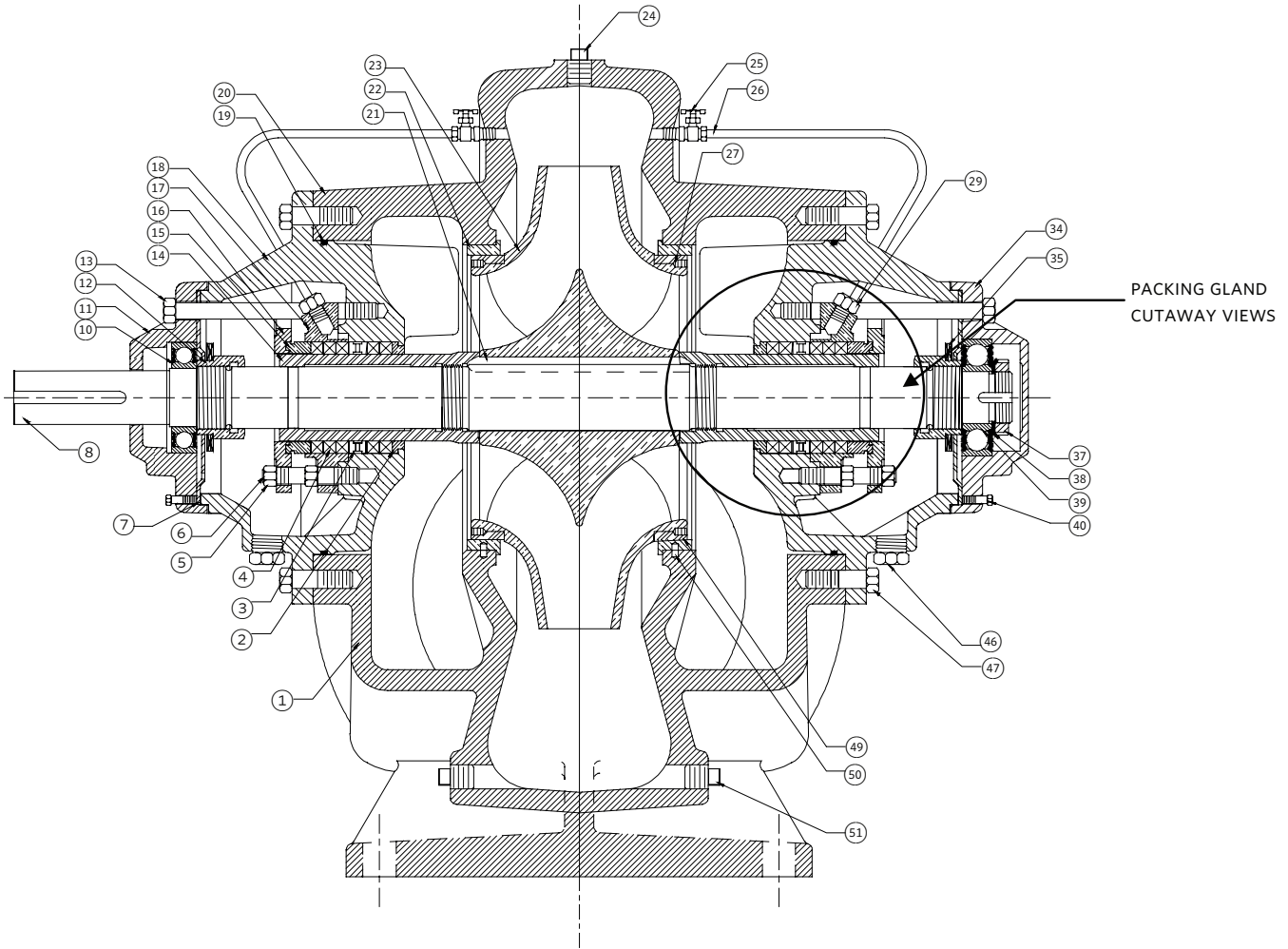


Series 4600 HSC Fire Pumps

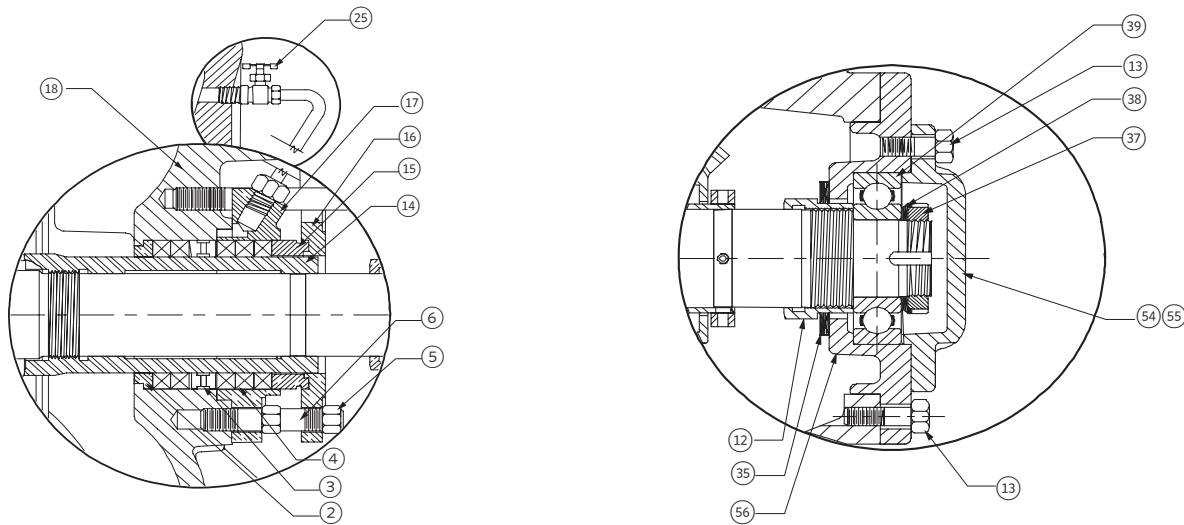
Recommended Parts lists

File No: F46.58
Date: DECEMBER 27, 2022
Supersedes: F46.58
Date: FEBRUARY 11, 2022

Series 4600 cutaway view



SERIES 4600 SEALING AND BEARING HOUSING ARRANGEMENTS



PACKING GLAND

4600 HSC fire pump sizes

ITEM#	DESCRIPTION	QTY	5×4×10NF	5×4×10	6×5×9.5	6×5×10	8×6×10NF	8×6×10	10×8×11	5×4×12
STANDARD REPAIR										
3	Lantern ring	4	D118035-000	D118035-000	D118035-000	D118035-000	D118035-000	D118035-000	D118035-000	D118035-000
15	Split ring	2	D251915-041	D251915-041	D251915-041	D251915-041	D251915-041	D251915-041	D251915-041	D251915-041
16	Packing gland plate	2	D251814-041	D251814-041	D251814-041	D251814-041	D251814-041	D251814-041	D251814-041	D251814-041
6	Gland studbolt	4	D251908-071	D251908-071	D251908-071	D251908-071	D251908-071	D251908-071	D251908-071	D251908-071
5	Gland stud nut	4	D112188-000	D112188-000	D112188-000	D112188-000	D112188-000	D112188-000	D112188-000	D112188-000
Not shown	Casing gasket	1	D251922-001	D251922-001	D251924-001	D251924-001	D251927-001	D251927-001	D251930-001	D251923-001
4	Packing graphite	120 (inches)	969000-028	969000-028	969000-028	969000-028	969000-028	969000-028	969000-028	969000-028
Not shown	Stuffing box extension gasket	2	D251921-000	D251921-000	D251921-000	D251921-000	D251921-000	D251921-000	D251921-000	D251921-000
2	Stuffing box bushing	2	D251917-041	D251917-041	D251917-041	D251917-041	D251917-041	D251917-041	D251917-041	D251917-041
53	Impeller lock nut o-ring	2	961131-225	961131-225	961131-225	961131-225	961131-225	961131-225	961131-225	961131-225
19A	Stuffing box gasket	2	D251936-000	D251936-000	D251936-000	D251936-000	D251936-001	D251936-001	D251936-002	D251936-000
19	Stuffing box o-ring	2	961131-264	961131-264	961131-264	961131-264	961131-267	961131-267	961131-271	961131-264
MINOR REPAIR										
Includes recommended parts above										
35	Deflector inboard (water slinger)	2	D251949-030	D251949-030	D251949-030	D251949-030	D251949-030	D251949-030	D251949-030	D251949-030
10	Ball bearing inboard	1	971101-925	971101-925	971101-925	971101-925	971101-925	971101-925	971101-925	971101-925
39	Ball bearing outboard	1	971101-926	971101-926	971101-926	971101-926	971101-926	971101-926	971101-926	971101-926
38	Bearing locknut	1	D150149-000	D150149-000	D150149-000	D150149-000	D150149-000	D150149-000	D150149-000	D150149-000
37	Bearing locknut washer	1	D150148-000	D150148-000	D150148-000	D150148-000	D150148-000	D150148-000	D150148-000	D150148-000
7	Bearing retainer	2	D251900-071	D251900-071	D251900-071	D251900-071	D251900-071	D251900-071	D251900-071	D251900-071
MAJOR REPAIR										
Includes recommended parts above										
22	Casing wear ring	2	D251940-041	D251940-041	D251940-041	D251940-041	D251940-042	D251940-042	D251940-043	D251940-041
14	Shaft sleeve	2	D251905-041	D251905-041	D251905-041	D251905-041	D251905-041	D251905-041	D251905-041	D251905-041
21	Impeller key	1	D251948-001	D251948-001	D251948-001	D251948-001	D251948-002	D251948-002	D251948-002	D251948-001
50	Casing wear ring lock pin	2	D117460-706	D117460-706	D117460-706	D117460-706	D117460-706	D117460-706	D117460-706	D117460-706
11	Inboard bearing housing	1	D251818-011	D251818-011	D251818-011	D251818-011	D251818-011	D251818-011	D251818-011	D251818-011

NOTES: For other replacements, please contact Armstrong Customer Service.

The parts noted above are recommendations only, items are to be ordered individually as required.

4600 HSC fire pump sizes

ITEM#	DESCRIPTION	QTY	5×4×17	6×5×12F	6×5×12	8×6×12.5	10×8×14NF	10×8×14
STANDARD REPAIR								
3	Lantern ring	4	D118035-000	D118035-000	D118035-000	D118035-000	D118035-000	D118035-000
15	Split ring	2	D251915-041	D251915-041	D251915-041	D251915-041	D251915-041	D251915-041
16	Packing gland plate	2	D251814-041	D251814-041	D251814-041	D251814-041	D251814-041	D251814-041
6	Gland studbolt	4	D251908-071	D251908-071	D251908-071	D251908-071	D251908-071	D251908-071
5	Gland stud nut	4	D112188-000	D112188-000	D112188-000	D112188-000	D112188-000	D112188-000
Not shown	Casing gasket	1	D251938-001	D251925-001	D251925-001	D251928-001	D251931-001	D251931-001
4	Packing graphite	120 (inches)	969000-028	969000-028	969000-028	969000-028	969000-028	969000-028
Not shown	Stuffing box extension gasket	2	D251921-000	D251921-000	D251921-000	D251921-000	D251921-000	D251921-000
2	Stuffing box bushing	2	D251917-041	D251917-041	D251917-041	D251917-041	D251917-041	D251917-041
53	Impeller lock nut o-ring	2	961131-225	961131-225	961131-225	961131-225	961131-225	961131-225
19A	Stuffing box gasket	2	D251936-000	D251936-000	D251936-000	D251936-001	D251936-002	D251936-002
19	Stuffing box o-ring	2	961131-264	961131-264	961131-264	961131-267	961131-271	961131-271
MINOR REPAIR								
Includes recommended parts above								
35	Deflector inboard (water slinger)	2	D251949-030	D251949-030	D251949-030	D251949-030	D251949-030	D251949-030
10	Ball bearing inboard	1	971101-925	971101-925	971101-925	971101-925	971101-925	971101-925
39	Ball bearing outboard	1	971101-926	971101-926	971101-926	971101-926	971101-926	971101-926
38	Bearing locknut	1	D150149-000	D150149-000	D150149-000	D150149-000	D150149-000	D150149-000
37	Bearing locknut washer	1	D150148-000	D150148-000	D150148-000	D150148-000	D150148-000	D150148-000
7	Bearing retainer	2	D251900-071	D251900-071	D251900-071	D251900-071	D251900-071	D251900-071
MAJOR REPAIR								
Includes recommended parts above								
22	Casing wear ring	2	D251940-041	D251940-041	D251940-041	D251940-042	D251940-045	D251940-043
14	Shaft sleeve	2	D251905-041	D251905-041	D251905-041	D251905-041	D251905-041	D251905-041
21	Impeller key	1	D251948-001	D251948-001	D251948-001	D251948-002	D251948-002	D251948-002
50	Casing wear ring lock pin	2	D117460-706	D117460-706	D117460-706	D117460-706	D117460-706	D117460-706
11	Inboard bearing housing	1	D251818-011	D251818-011	D251818-011	D251818-011	D251818-011	D251818-011

NOTES: For other replacements, please contact Armstrong Customer Service.

The parts noted above are recommendations only, items are to be ordered individually as required.

4600 HSC fire pump sizes

ITEM #	DESCRIPTION	QTY	6×5×15NF	6×5×15	8×6×15NF	8×6×15	8×6×16	12×8×18F	12×8×18NF
STANDARD REPAIR									
3	Lantern ring	4	D118035-000	D118035-000	D118035-000	D118035-000	D118035-000	D118035-001	D118035-001
15	Split ring	2	D251915-041	D251915-041	D251915-041	D251915-041	D251915-041	D251916-041	D251916-041
16	Packing gland plate	2	D251814-041	D251814-041	D251814-041	D251814-041	D251814-041	D251812-041	D251812-041
6	Gland studbolt	4	D251908-071	D251908-071	D251908-071	D251908-071	D251908-071	911125-414	911125-414
5	Gland stud nut	4	D112188-000	D112188-000	D112188-000	D112188-000	D112188-000	Not in Use	Not in Use
Not shown	Casing gasket	1	D251926-001	D251926-001	D251929-001	D251929-001	D251934-001	D251939-001	D251939-001
4	Packing graphite	120 (inches)	969000-028	969000-028	969000-028	969000-028	969000-028	969000-028	969000-028
Not shown	Stuffing box extension gasket	2	D251921-000	D251921-000	D251921-000	D251921-000	D251921-000	D251811-041	D251811-041
2	Stuffing box bushing	2	D251917-041	D251917-041	D251917-041	D251917-041	D251917-041	D251918-041	D251918-041
53	Impeller lock nut o-ring	2	961131-225	961131-225	961131-225	961131-225	961131-225	961131-228	961131-228
19A	Stuffing box gasket	2	D251936-000	D251936-000	D251936-002	D251936-002	D251936-002	D251937-000	D251937-000
19	Stuffing box o-ring	2	961131-264	961131-264	961131-271	961131-271	961131-271	961131-380	961131-380
MINOR REPAIR									
Includes recommended parts above									
35	Deflector inboard (water slinger)	2	D251949-030	D251949-030	D251949-030	D251949-030	D251949-030	D251949-040	D251949-040
10	Ball bearing inboard	1	971101-925	971101-925	971101-925	971101-925	971101-925	971101-928	971101-928
39	Ball bearing outboard	1	971101-926	971101-926	971101-926	971101-926	971101-926	971101-927	971101-927
38	Bearing locknut	1	D150149-000	D150149-000	D150149-000	D150149-000	D150149-000	150139	150139
37	Bearing locknut washer	1	D150148-000	D150148-000	D150148-000	D150148-000	D150148-000	426364-007	426364-007
7	Bearing retainer	2	D251900-071	D251900-071	D251900-071	D251900-071	D251900-071	Not in Use	Not in Use
MAJOR REPAIR									
Includes recommended parts above									
22	Casing wear ring	2	D251940-042	D251940-042	D251940-043	D251940-043	D251940-043	D251946-041	D251981-041
14	Shaft sleeve	2	D251905-041	D251905-041	D251905-041	D251905-041	D251905-041	D251919-041	D251898-041
21	Impeller key	1	D251948-001	D251948-001	D251948-002	D251948-002	D251948-002	D251948-003	D251948-003
50	Casing wear ring lock pin	2	D117460-706	D117460-706	D117460-706	D117460-706	D117460-706	D117460-706	D117460-706
11	Inboard bearing housing	1	D251818-011	D251818-011	D251818-011	D251818-011	D251818-011	D251888-011	D251888-011

NOTES: For other replacements, please contact Armstrong Customer Service.

The parts noted above are recommendations only, items are to be ordered individually as required.

4600 HSC fire pump sizes

ITEM #	DESCRIPTION	QTY	10×8×20F	14×10×20F
STANDARD REPAIR				
3	Lantern ring	4	D118035-001	D118035-105
15	Split ring	2	D251916-041	Not in Use
16	Packing gland plate	2	D251812-041	D251997-041
6	Gland studbolt	4	911125-414	911131-428
5	Gland stud nut	4	Not in Use	Not in Use
Not shown	Casing gasket	1	D251966-001	D251967-001
4	Packing graphite	120 (inches)	969000-028	975000-032
Not shown	Stuffing box extension gasket	2	Not in Use	Not in Use
2	Stuffing box bushing	2	D251918-041	D251973-041
53	Impeller lock nut o-ring	2	961131-228	961131-235
19A	Stuffing box gasket	2	D251984-001	D251986-000
19	Stuffing box o-ring	2	961131-377	961131-378
MINOR REPAIR				
Includes recommended parts above				
35	Deflector inboard (water slinger)	2	D251949-040	D251949-050
10	Ball bearing inboard	1	971101-928	971101-929
39	Ball bearing outboard	1	971101-927	971101-921
38	Bearing locknut	1	150139	426364-114
37	Bearing locknut washer	1	426364-007	426364-013
7	Bearing retainer	2	Not in Use	Not in Use
MAJOR REPAIR				
Includes recommended parts above				
22	Casing wear ring	2	D251983-041	D251947-041
14	Shaft sleeve	2	D251976-041	D251977-041
21	Impeller key	1	D251948-002	D251948-004
50	Casing wear ring lock pin	2	D117460-706	D117460-706
11	Inboard bearing housing	1	D251888-011	D251970-011
34	Outboard bearing housing	1	Not in Use	D251970-012

TORONTO
+1 416 755 2291

BUFFALO
+1 716 693 8813

DROITWICH SPA
+44 121 550 5333

MANCHESTER
+44 161 223 2223

BANGALORE
+91 80 4906 3555

SHANGHAI
+86 21 5237 0909

BEIJING
+86 21 5237 0909

SÃO PAULO
+55 11 4785 1330

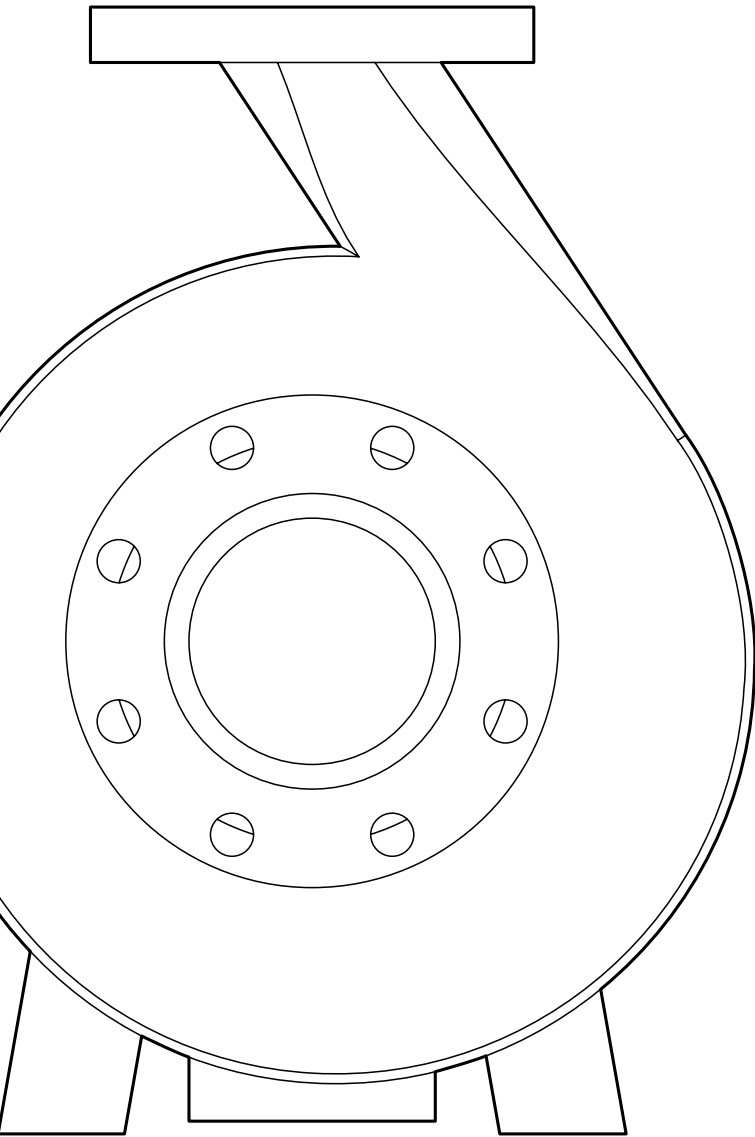
LYON
+33 4 26 83 78 74

DUBAI
+971 4 887 6775

JIMBOLIA
+40 256 360 030

NOTES: For other replacements, please contact Armstrong Customer Service.

The parts noted above are recommendations only, items are to be ordered individually as required.



End Suction Fire Pumps

Recommended Parts lists

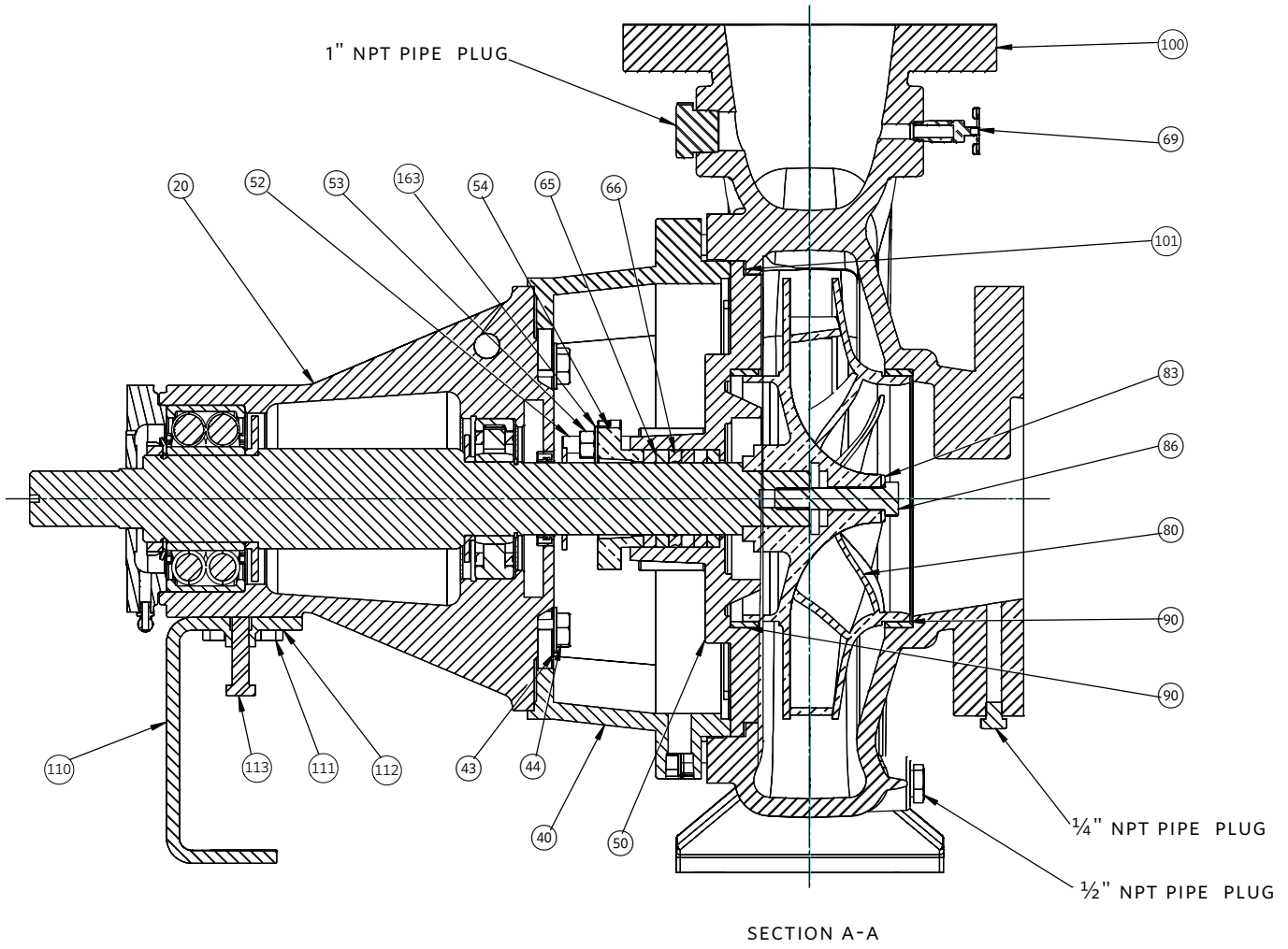
File No: F40.58

Date: FEBRUARY 11, 2022

Supersedes: F40.58

Date: JULY 11, 2018

End suction fire pump



4030 ES fire pump sizes

ITEM #	DESCRIPTION	QTY	4×3×8.5FM	4×3×13NF	4×3×13FM	5×4×11.5FM	6×5×13FM	8×5×11.5FM	8×6×13FM
STANDARD REPAIR									
Not shown	Casing gaskets	1	426401-003	426401-005	426401-005	426401-006	426401-005	426401-006	426401-005
65	Packing ring	5	966301-000	966302-001	966302-001	966302-001	966302-001	966302-001	966302-001
54	Gland plate	2	426462-041	426487-041	426487-041	426487-041	426487-041	426487-041	426487-041
Not shown	Water slinger	1	411343-001	419315-001	419315-001	419315-001	419315-001	419315-001	419315-001
MINOR REPAIR									
70	Shaft sleeve	1	426472-041	426444-071	426444-071	425869-033	425869-033	425869-033	425869-033
91	Wear ring (casing)	1	426412-412	426412-426	426412-415	426412-415	426416-415	426412-415	426416-415
66	Lantern ring	1	426452-004	426453-004	426453-004	426453-004	426453-004	426453-004	426453-004
83	Impeller washer	1	425742-003	425742-008	425742-008	425742-008	425742-010	425742-008	425742-010

Include recommended parts above

NOTES: For other replacements, please contact Armstrong Customer Service.

The parts noted above are recommendations only, items are to be ordered individually as required.

TORONTO

23 BERTRAND AVENUE
TORONTO, ONTARIO
CANADA, M1L 2P3
+1 416 755 2291

BUFFALO

93 EAST AVENUE
NORTH TONAWANDA, NEW YORK
U.S.A., 14120-6594
+1 716 693 8813

DROITWICH SPA

POINTON WAY,
STONEBRIDGE CROSS BUSINESS PARK
DROITWICH SPA, WORCESTERSHIRE
UNITED KINGDOM, WR9 0LW
+44 8444 145 145

MANCHESTER

WOLVERTON STREET
MANCHESTER
UNITED KINGDOM, M11 2ET
+44 8444 145 145

BANGALORE

#59, FIRST FLOOR, 3RD MAIN
MARGOSA ROAD, MALLESWARAM
BANGALORE, INDIA, 560 003
+91 80 4906 3555

SHANGHAI

UNIT 903, 888 NORTH SICHUAN RD.
HONGKOU DISTRICT, SHANGHAI
CHINA, 200085
+86 21 5237 0909

SÃO PAULO

RUA JOSÉ SEMIÃO RODRIGUES AGOSTINHO,
1370 GALPÃO 6 EMBU DAS ARTES
SAO PAULO, BRAZIL
+55 11 4785 1330

LYON

93 RUE DE LA VILLETTE
LYON, 69003 FRANCE
+33 4 26 83 78 74

DUBAI

JAFZA VIEW 19, OFFICE 402
P.O.BOX 18226 JAFZA,
DUBAI - UNITED ARAB EMIRATES
+971 4 887 6775

MANNHEIM

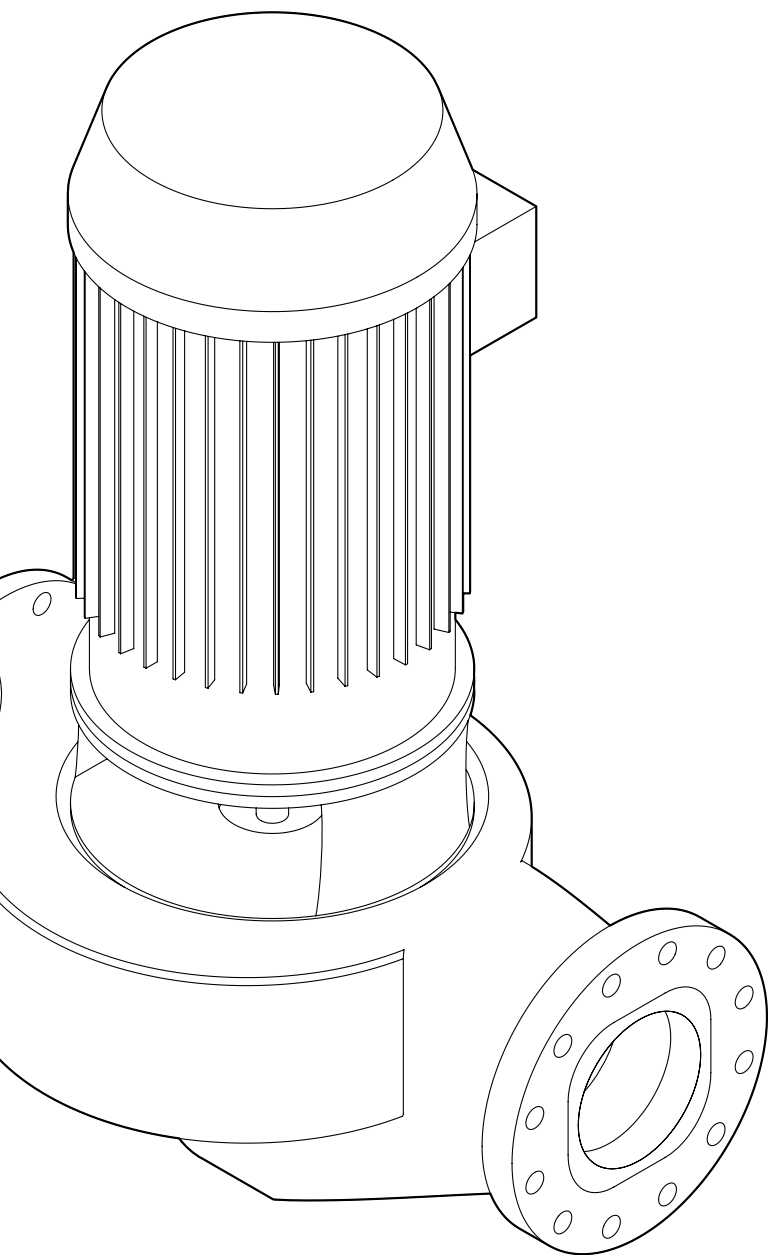
DYNAMOSTRASSE 13
68165 MANNHEIM
GERMANY
+49 621 3999 9858

JIMBOLIA

STR CALEA MOTILOR NR. 2C
JIMBOLIA 305400, JUD.TIMIS
ROMANIA
+40 256 360 030

ARMSTRONG FLUID TECHNOLOGY
ESTABLISHED 1934

ARMSTRONGFLUIDTECHNOLOGY.COM



Series VII-LF Fire Pumps

Recommended Parts lists

File No: F43-581

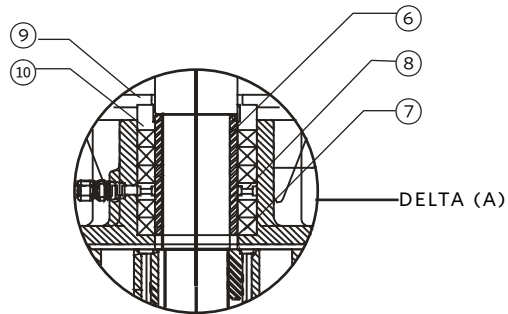
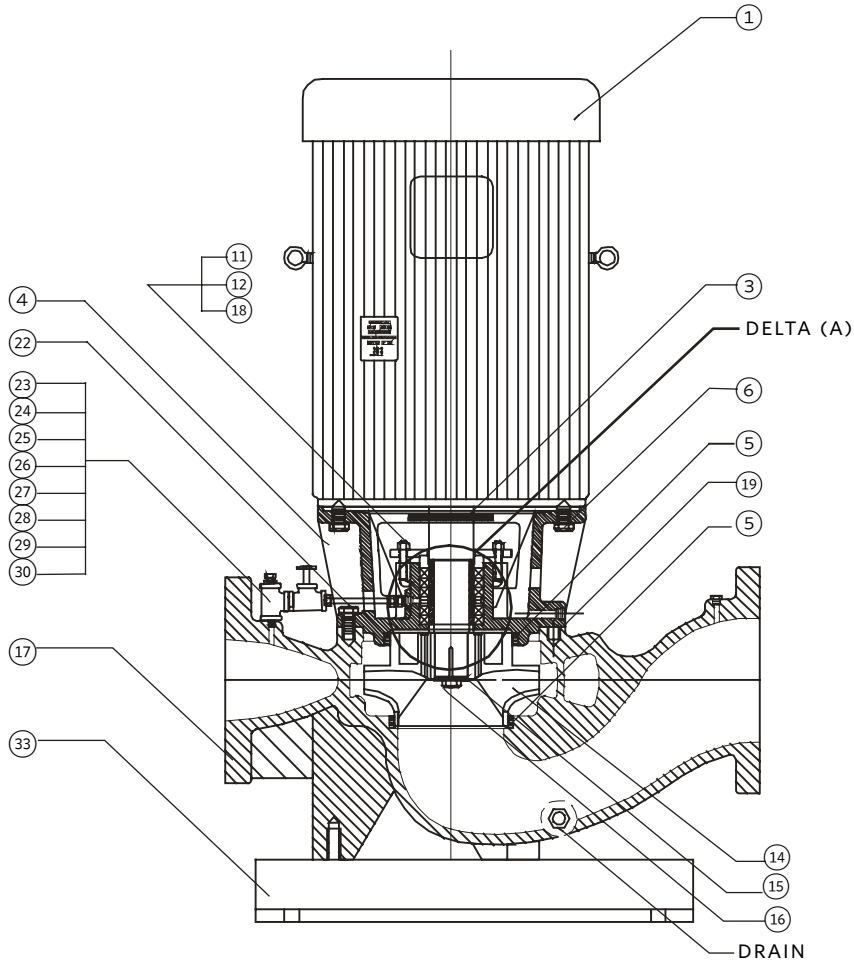
Date: FEBRUARY 11, 2022

Supersedes: F43-581

Date: JUNE 10, 2014

Vertical In-Line fire pump

UL & FM listed



43F closed coupled VIL fire pump sizes

ITEM #	DESCRIPTION	QTY	2×1½LA-F	6×5LY-F	6×4LA/B-F
19	Volute gasket	2	D356713-002	D356167-000	D356713-002
3	Water slinger	1	D350056-009	D350056-009	D350056-009
7	Packing	Set	969000-028 (30" required)	969000-028 (30" required)	969000-029 (36" required)
8	Lantern ring	Set	D118030-300 (6" required)	D118030-300 (6" required)	D118030-300 (6" required)
12	Packing gland washer	2	927114-800	927114-800	927114-800
13	Packing gland bolt	2	D350101-000	D350101-000	D350101-000
11	Packing gland nut	2	913121-800	913121-800	913121-800
5	Volute wear ring	1	D350099-041	D350111-041	D350109-041

NOTES: For other replacements, please contact Armstrong Customer Service.
The parts noted above are recommendations only, items are to be ordered individually as required.

TORONTO

23 BERTRAND AVENUE
TORONTO, ONTARIO
CANADA, M1L 2P3
+1 416 755 2291

BUFFALO

93 EAST AVENUE
NORTH TONAWANDA, NEW YORK
U.S.A., 14120-6594
+1 716 693 8813

DROITWICH SPA

POINTON WAY,
STONEBRIDGE CROSS BUSINESS PARK
DROITWICH SPA, WORCESTERSHIRE
UNITED KINGDOM, WR9 0LW
+44 8444 145 145

MANCHESTER

WOLVERTON STREET
MANCHESTER
UNITED KINGDOM, M11 2ET
+44 8444 145 145

BANGALORE

#59, FIRST FLOOR, 3RD MAIN
MARGOSA ROAD, MALLESWARAM
BANGALORE, INDIA, 560 003
+91 80 4906 3555

SHANGHAI

UNIT 903, 888 NORTH SICHUAN RD.
HONGKOU DISTRICT, SHANGHAI
CHINA, 200085
+86 21 5237 0909

SÃO PAULO

RUA JOSÉ SEMIÃO RODRIGUES AGOSTINHO,
1370 GALPÃO 6 EMBU DAS ARTES
SAO PAULO, BRAZIL
+55 11 4785 1330

LYON

93 RUE DE LA VILLETTE
LYON, 69003 FRANCE
+33 4 26 83 78 74

DUBAI

JAFZA VIEW 19, OFFICE 402
P.O.BOX 18226 JAFZA,
DUBAI - UNITED ARAB EMIRATES
+971 4 887 6775

MANNHEIM

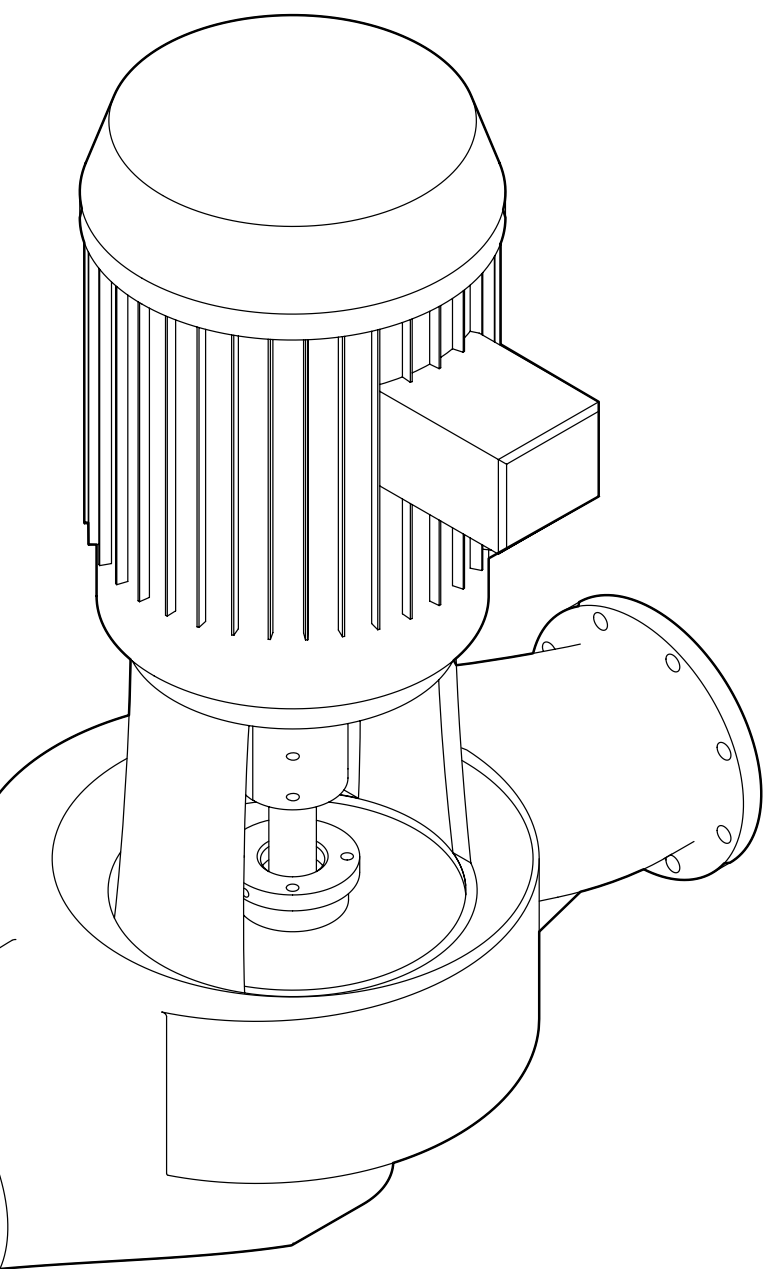
DYNAMOSTRASSE 13
68165 MANNHEIM
GERMANY
+49 621 3999 9858

JIMBOLIA

STR CALEA MOTILOR NR. 2C
JIMBOLIA 305400, JUD.TIMIS
ROMANIA
+40 256 360 030

ARMSTRONG FLUID TECHNOLOGY
ESTABLISHED 1934

ARMSTRONGFLUIDTECHNOLOGY.COM



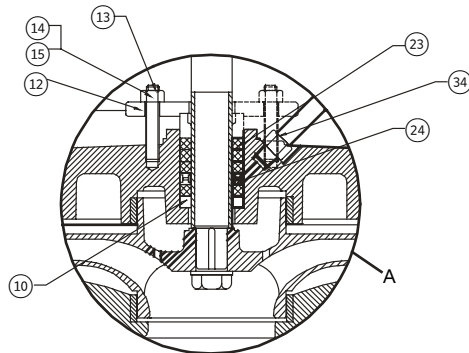
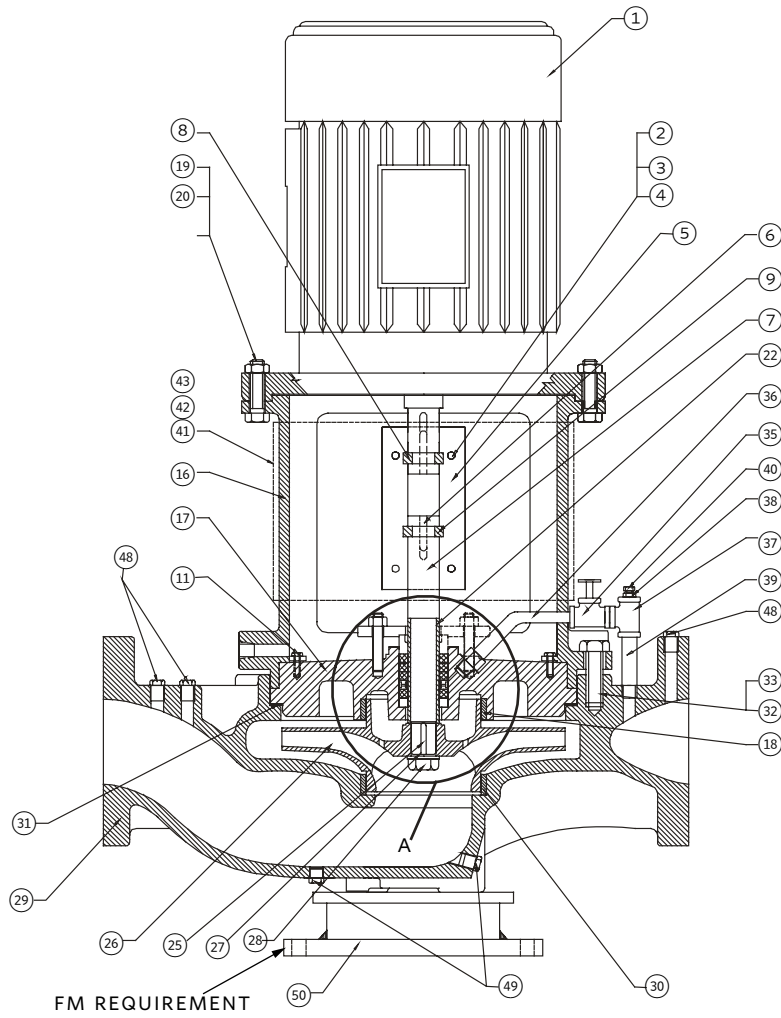
Series VII Fire Pumps

Recommended Parts lists

File No: F43.58
Date: FEBRUARY 11, 2022
Supersedes: F43.58
Date: FEBRUARY 20, 2014

Vertical In-Line fire pump

ULC, UL & FM listed



43F split coupled VIL fire pump sizes

ITEM #	DESCRIPTION	QTY	2x2x8	3x3x8	5x5x8	8x8x13	8x8x15	8x8x16M	8x8x16FM
31	Volute gasket	1	426401-003	426401-003	426401-003	426401-005	426401-008	426401-008	426401-008
3	Water slinger	1	411343-001	Not required	Not required	Not required	Not required	Not required	Not required
23	Packing	4	966301-005	966301-007	966301-007	966301-007	966302-001	966302-001	966302-001
24	Lantern ring	1	426451-001	426451-003	426451-003	426451-003	426453-004	426453-004	426453-004
14	Packing gland washer	2	927114-000	927118-000	927118-000	927118-000	927118-000	927118-000	927118-000
15	Packing gland bolt	2	915221-420	915225-424	915225-424	915225-424	915225-424	915225-424	915225-424
13	Packing gland nut	2	913121-400	913125-400	913125-400	913125-400	913125-400	913125-400	913125-400
30	Volute wear ring	1	426412-407	426412-407	426412-408	426412-415	427515-041	427515-041	427515-041

NOTES: For other replacements, please contact Armstrong Customer Service.
The parts noted above are recommendations only, items are to be ordered individually as required.

TORONTO

23 BERTRAND AVENUE
TORONTO, ONTARIO
CANADA, M1L 2P3
+1 416 755 2291

BUFFALO

93 EAST AVENUE
NORTH TONAWANDA, NEW YORK
U.S.A., 14120-6594
+1 716 693 8813

DROITWICH SPA

POINTON WAY,
STONEBRIDGE CROSS BUSINESS PARK
DROITWICH SPA, WORCESTERSHIRE
UNITED KINGDOM, WR9 0LW
+44 8444 145 145

MANCHESTER

WOLVERTON STREET
MANCHESTER
UNITED KINGDOM, M11 2ET
+44 8444 145 145

BANGALORE

#59, FIRST FLOOR, 3RD MAIN
MARGOSA ROAD, MALLESWARAM
BANGALORE, INDIA, 560 003
+91 80 4906 3555

SHANGHAI

UNIT 903, 888 NORTH SICHUAN RD.
HONGKOU DISTRICT, SHANGHAI
CHINA, 200085
+86 21 5237 0909

SÃO PAULO

RUA JOSÉ SEMIÃO RODRIGUES AGOSTINHO,
1370 GALPÃO 6 EMBU DAS ARTES
SAO PAULO, BRAZIL
+55 11 4785 1330

LYON

93 RUE DE LA VILLETTE
LYON, 69003 FRANCE
+33 4 26 83 78 74

DUBAI

JAFZA VIEW 19, OFFICE 402
P.O.BOX 18226 JAFZA,
DUBAI - UNITED ARAB EMIRATES
+971 4 887 6775

MANNHEIM

DYNAMOSTRASSE 13
68165 MANNHEIM
GERMANY
+49 621 3999 9858

JIMBOLIA

STR CALEA MOTILOR NR. 2C
JIMBOLIA 305400, JUD.TIMIS
ROMANIA
+40 256 360 030

ARMSTRONG FLUID TECHNOLOGY
ESTABLISHED 1934

ARMSTRONGFLUIDTECHNOLOGY.COM