

File No.	6052.227
Date:	September 29, 2004
Supersedes:	6052.227
Date:	October 28, 2003

# ARMSTRONG

## PARTS LIST

# SERIES 5400

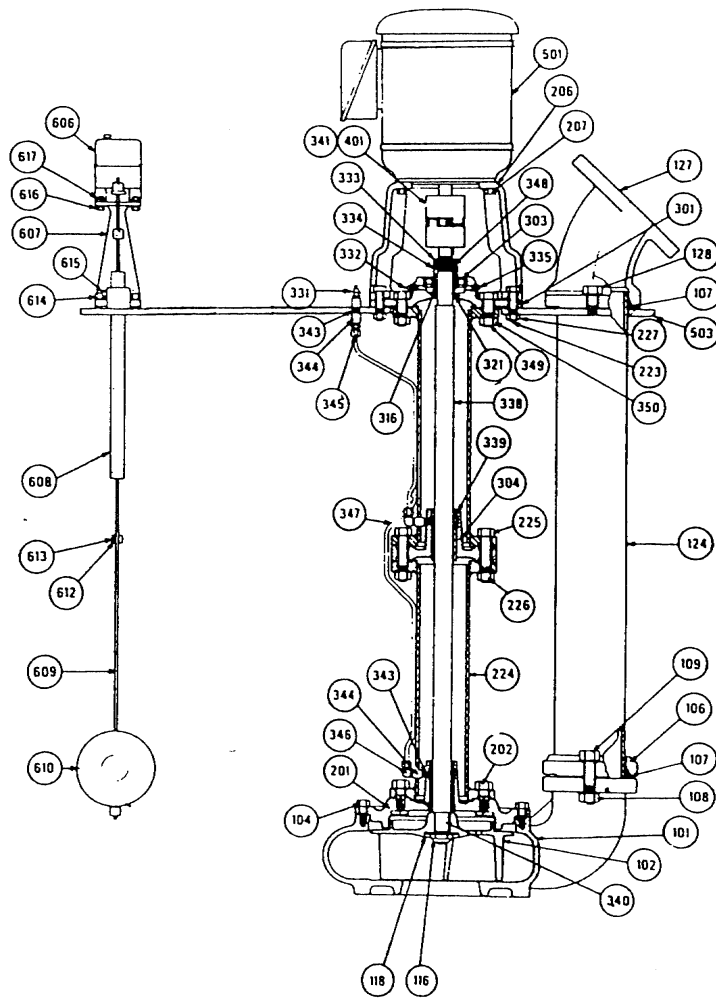
SEWAGE PUMP

FOR PUMPS  
PRIOR TO SERIAL NUMBER 71854

OLD DESIGN



# 5400 SEWAGE PUMP PARTS IDENTIFICATION



ITEM	DESCRIPTION	PAGE	ITEM	DESCRIPTION	PAGE	ITEM	DESCRIPTION	PAGE
101	Volute	2	225	Int. Brg. Capscrew	10	345	Tube Connector	6
102	Impeller	2	226	Int. Brg. Caps. Washer	10	346	Street Elbow	7
104	Volute Capscrew	10	301	Bearing Frame Plate	4	347	Lubrication Tubing (Grease)	19
106	Discharge Flange	3	303	Thrust Bearing	5	347	Lubrication Tubing (Oil)	20
107	Discharge Flange Gasket	3	304	Int. Bearing Assy.	5	348	Brg. Collar & Set Screws	7
108	Flange Nut	10	305	Int. Bearing Only	5	349	Brg. Frame Screw	10
109	Flange Bolt	10	316	Retaining Ring (external)	5	401	Coupler	7
116	Impeller Nut	3	321	Oil Seal	5	503	Floor Plate	7
118	Imp. Nut Lockwasher	3	331	Grease Fitting	5	606	Float Switch	8
124	Discharge Pipe 3D2	11	333	Locknut	6	607	Switch Stand	8
124	Dis. Pipe 4D2,4D3,4E2 & 4E3	12	334	Lockwasher	6	608	Float Rod Guide	8
128	Dis. Pipe Caps. & Washer	10	335	Relief Plug	6	609	Float Rod (Brass)	21
201	Cvrplt. & Lwr. Brg. Assy.	4	338	Shaft 3D (Steel)	15	609	Float Rod (SST)	22
201A	Lower Bearing Only	4	338	Shaft 3D (304 S/S)	16	610	Float	8
202	Coverplate Capscrew	10	338	Shaft 4D & 4E (Steel)	17	612	Stop & Set Screws	9
206	Motor Support	4	338	Shaft 4D & 4E (304 S/S)	18	614	Sw. Stand Screw & Wshr.	10
207	Motor Caps. & Washer	10	340	Impeller Key	6	615	Guide Capscrew	10
223	Support Caps. & Washer	10	341	Coupler Key	6	616	Float Sw. Screw & Wshr.	10
224	Pump Leg 3D2	13	343	Pipe Nipple	6	617	Float Switch Nut	10
224	Pmp Leg 4D2,4D3,4E2 & 4E3	13	344	Pipe Coupling	6		Oil Lub. Accessories	9

# SEWAGE PUMP PARTS LIST SERIES 5400

<b>ITEM 101 VOLUTE</b>			
PUMP SIZE	CONSTRUCTION	PART NUMBER	BAR CODE
3D2	A.I./B.F.	440516-011	
4D2 & 4D3	A.I./B.F.	441256-011	
4E2 & 4E3	A.I./B.F.	441251-011	

<b>ITEM 102 IMPELLER**</b>			
PUMP SIZE	CONSTRUCTION	PART NUMBER	BAR CODE
3D2	A.I	440518-011	
3D2	B.F.	440518-041	
4D2	A.I	441296-011	
4D2	B.F.	441296-041	
4D3***	PART NUMBER 441261-011 OBSOLETE, SEE NOTES		
4D3***	PART NUMBER 441261-041 OBSOLETE, SEE NOTES		
4E2***	PART NUMBER 441295-011 OBSOLETE, SEE NOTES		
4E2***	PART NUMBER 441295-041 OBSOLETE, SEE NOTES		
4E3	A.I	441252-011	
4E3	B.F.	441252-041	

**\*\* NOTES:** Impeller Part Numbers are for full or maximum diameter Impellers. Specify the Serial Number when ordering and, where possible, advise the diameter of the Impeller being replaced

**\*\*\* NOTES:** The 4D3 Impeller Part Numbers 441261-011 and 041 are obsolete. Replace with 4D2 Impeller, Part Numbers 441296-011 or 041, 1/2" larger in Diameter than the Diameter of the Impeller being replaced.

The 4E2 Impeller Part Numbers 441295-011 and 041 are obsolete. Replace with 4E3 Impeller, Part Numbers 441252-011 or 041, 1/2" in Diameter less than the Diameter of the Impeller being replaced.

# SEWAGE PUMP PARTS LIST SERIES 5400

<b>ITEM 106 DISCHARGE FLANGE</b>			
PUMP SIZE	CONSTRUCTION	PART NUMBER	BAR CODE
3D	A.I./B.F.	440081-010	
4D2 & 4D3	A.I./B.F.	441254-000	
4E2 & 4E3	A.I./B.F.	441254-000	

<b>ITEM 107 DISCHARGE FLANGE GASKET</b>			
PUMP SIZE	CONSTRUCTION	PART NUMBER	BAR CODE
3D2	A.I./B.F.	440162-000	
4D2 & 4D3	A.I./B.F.	440198-000	
4E2 & 4E3	A.I./B.F.	440198-000	

<b>ITEM 116 IMPELLER NUT</b>			
PUMP SIZE	CONSTRUCTION	PART NUMBER	BAR CODE
ALL SIZES	A.I./B.F.	441269-000	

<b>ITEM 118 IMPELLER NUT LOCKWASHER</b>			
PUMP SIZE	CONSTRUCTION	PART NUMBER	BAR CODE
ALL SIZES	A.I./B.F.	927217-100	

# SEWAGE PUMP PARTS LIST SERIES 5400

<b>ITEM 201 COVERPLATE &amp; LOWER BRG. ASSY.</b>			
PUMP SIZE	CONSTRUCTION	PART NUMBER	BAR CODE
3D & 4D	A.I./B.F. (Std. Grs. Lub.)	440496-012	
4E	A.I./B.F. (Std. Grs. Lub.)	441250-012	
3D & 4D	A.I./B.F. (Cutlass Rubber)	440496-014	
4E	A.I./B.F. (Cutlass Rubber)	441250-014	
3D & 4D	A.I./B.F. (Carbon)	440496-082	
4E	A.I./B.F. (Carbon)	441250-082	
3D & 4D	A.I./B.F. (Oil Lub.)	441438-012	
4E	A.I./B.F. (Oil Lub.)	441439-012	

<b>ITEM 201A LOWER BEARING ONLY</b>			
PUMP SIZE	CONSTRUCTION	PART NUMBER	BAR CODE
ALL SIZES	A.I./B.F. (Std. Grs. Lub.)	441260-012	
ALL SIZES	A.I./B.F. (Carbon)	441436-000	
ALL SIZES	A.I./B.F. (Cutlass)	441418-003	

<b>ITEM 206 MOTOR SUPPORT</b>			
MOTOR FRAME SIZE	CONSTRUCTION	PART NUMBER	BAR CODE
56 C	A.I./B.F.	441258-011	
143 TC - 145 TC	A.I./B.F.	441258-011	
182 TC - 184 TC	A.I./B.F.	441289-011	
213 TC - 215 TC	A.I./B.F.	441289-011	
254TC - 256 TC	A.I./B.F.	441289-011	

<b>ITEM 301 BEARING FRAME PLATE</b>			
PUMP SIZE	CONSTRUCTION	PART NUMBER	BAR CODE
ALL SIZES	A.I./B.F.	971101-363	

# SEWAGE PUMP PARTS LIST SERIES 5400

<b>ITEM 303 THRUST BALL BEARING</b>			
PUMP SIZE	CONSTRUCTION	PART NUMBER	BAR CODE
ALL SIZES	A.I./B.F.	971101-364	

<b>ITEM 304 INTERMEDIATE BRG.ASSY.</b>			
PUMP SIZE	CONSTRUCTION	PART NUMBER	BAR CODE
ALL SIZES	A.I./B.F. (Std. Oil & Grs. Lub.)	440991-012	
ALL SIZES	A.I./B.F. (Cutlass)	440991-014	
ALL SIZES	A.I./B.F. (Carbon)	440991-082	

<b>ITEM 305 INTERMEDIATE BRG. ONLY</b>			
PUMP SIZE	CONSTRUCTION	PART NUMBER	BAR CODE
ALL SIZES	A.I./B.F. (Std. Oil & Grs. Lub.)	441260-011	
ALL SIZES	A.I./B.F. (Cutlass)	441418-003	
ALL SIZES	A.I./B.F. (Carbon)	441436-000	

<b>ITEM 316 RETAINING RING</b>			
PUMP SIZE	CONSTRUCTION	PART NUMBER	BAR CODE
ALL SIZES	A.I./B.F.	923104-116	

<b>ITEM 321 OIL SEAL</b>			
PUMP SIZE	CONSTRUCTION	PART NUMBER	BAR CODE
ALL SIZES	A.I./B.F.	965000-209	

<b>ITEM 331 &amp; 332 GREASE FITTING</b>			
PUMP SIZE	CONSTRUCTION	PART NUMBER	BAR CODE
ALL SIZES	A.I./B.F.	425030-011	

# SEWAGE PUMP PARTS LIST SERIES 5400

<b>ITEM 333 LOCKNUT</b>			
PUMP SIZE	CONSTRUCTION	PART NUMBER	BAR CODE
ALL SIZES	A.I./B.F.	441267-000	

<b>ITEM 334 LOCKWASHER</b>			
PUMP SIZE	CONSTRUCTION	PART NUMBER	BAR CODE
ALL SIZES	A.I./B.F.	441268-000	

<b>ITEM 335 RELIEF PLUG</b>			
PUMP SIZE	CONSTRUCTION	PART NUMBER	BAR CODE
ALL SIZES	A.I./B.F.	935105-000	

<b>ITEM 340 IMPELLER KEY</b>			
PUMP SIZE	CONSTRUCTION	PART NUMBER	BAR CODE
ALL SIZES	A.I./B.F.	974515-100	

<b>ITEM 341 COUPLER KEY</b>			
PUMP SIZE	SIZE	PART NUMBER	BAR CODE
ALL SIZES	A.I./B.F.	974515-100	

<b>ITEM 343 PIPE NIPPLE</b>			
PUMP SIZE	CONSTRUCTION	PART NUMBER	BAR CODE
ALL SIZES	A.I./B.F.	938000-000	

<b>ITEM 344 GREASE LINE COUPLING</b>			
PUMP SIZE	CONSTRUCTION	PART NUMBER	BAR CODE
ALL SIZES	A.I./B.F.	931104-000	

<b>ITEM 345 TUBE CONNECTOR (mips)</b>			
PUMP SIZE	CONSTRUCTION	PART NUMBER	BAR CODE
ALL SIZES	A.I./B.F.	939001-105	



# SEWAGE PUMP PARTS LIST SERIES 5400

<b>ITEM 346 TUBE CONNECTOR ELBOW (mips)</b>			
PUMP SIZE	CONSTRUCTION	PART NUMBER	BAR CODE
ALL SIZES	A.I./B.F.	931100-000	

<b>ITEM 348 BEARING COLLAR &amp; SET SCREW</b>			
PUMP SIZE	CONSTRUCTION	PART NUMBER	BAR CODE
ALL SIZES	A.I./B.F.	440983-000	

<b>ITEM 401 COUPLER</b>			
OTOR FRAME SIZE	CONSTRUCTION	PART NUMBER	BAR CODE
56 C	A.I./B.F.	841060-011	
143 TC - 145 TC	A.I./B.F.	841060-012	
182 TC - 184 TC	A.I./B.F.	841300-011	
213 TC - 215 TC	A.I./B.F.	841301-012	

<b>ITEM 503 FLOOR PLATE</b>			
PUMP SIZE	CONSTRUCTION	PART NUMBER	BAR CODE
3D2	A.I./B.F.	440984-000	
4D2 & 4D3	A.I./B.F.	441311-000	
4E2 & 4E3	A.I./B.F.	441266-000	

# SEWAGE PUMP PARTS LIST SERIES 5400

## FLOAT SWITCH ACCESSORIES

### ITEM 606 FLOAT SWITCH

CLASS	ENCLOSURE	NEMA SIZE TYPE	PART NUMBER (ALL SIZES)	BAR CODE
9036	GEN. PURPOSE	NEMA 1 GG-2	440457-003	
	WATER TIGHT	NEMA 4 DW-1	440457-004	
	EXPL. PROOF	NEMA 7 DR-1	440457-002	

### ITEM 606 FLOAT SWITCH c/w MECH. ALT.

CLASS	ENCLOSURE	NEMA SIZE TYPE	PART NUMBER (ALL SIZES)	BAR CODE
9038	GEN. PURPOSE	NEMA 1 AG-1	440458-000	
	WATER TIGHT	NEMA 4 AW-1	440458-001	
	EXPL. PROOF	NEMA 7 AR-1	440458-002	

### ITEM 607 SWITCH STAND

PUMP SIZE	CONSTRUCTION	PART NUMBER	BAR CODE
ALL SIZES	A.I./B.F.	441080-011	

### ITEM 608 FLOAT ROD GUIDE ASSY.

PUMP SIZE	SUMP DEPTH	PART NUMBER	BAR CODE
ALL SIZES	2' - 0" TO 5' - 0"	441279-011	
	5' - 6" TO 7' - 6"	441279-012	
	8' - 0" TO 10' - 0"	441279-013	
	10' - 6" TO 12' - 0"	441279-014	

### ITEM 610 FLOAT

PUMP SIZE	MATERIAL	PART NUMBER	BAR CODE
ALL SIZES	COPPER	440460-041	
	STAINLESS STEEL	440460-071	

# SEWAGE PUMP PARTS LIST SERIES 5400

<b>FLOAT SWITCH ACCESSORIES (cont'd)</b>			
<b>ITEM 612 FLOAT STOP (c/w Set Screws)</b>			
PUMP SIZE	MATERIAL	PART NUMBER	BAR CODE
ALL SIZES	BRASS	440462-000	
	304 S/S	440462-071	

<b>OIL LUBRICATION ACCESSORIES</b>				
<b>OILERS***</b>				
OILER TYPE	OILER SIZE	NUMBER OF FEEDS	PART NUMBER	BAR CODE
MANUAL	1 PINT	1	441329-001	
		2	441329-002	
		3	441329-003	
MANUAL	1 QUART	1	441330-001	
		2	441330-002	
		3	441330-003	
AUTOMATIC	1 PINT	1	441339-001	
		2	441339-002	
		3	441339-003	
AUTOMATIC	1 QUART	1	441340-001	
		2	441340-002	
		3	441340-003	

\*\*\*NOTES: Automatic Oiler Part Numbers For 110Volt/1 Phase/60 Cycle only

<b>OILER MOUNTING BRACKET</b>			
PUMP SIZE	CONSTRUCTION	PART NUMBER	BAR CODE
ALL SIZES	A.I./B.F.	440467-000	

# SEWAGE PUMP PARTS LIST SERIES 5400

<b>HARDWARE (all sizes)</b>					
ITEM NO.	DESCRIPTION	SIZE	NO. REQ'D	PART NUMBER	BAR CODE
104	VOLUTE CAPSCREW				
	MODELS 3D2, 4D2 & 4D3	5/8"-11X1 1/4"	8	911129-110	
	MODELS 4E2 & 4E3	7/16"-12X1"	12	911123-108	
108	FLANGE NUT	5/8"-11	2	913129-100	
109	FLANGE BOLT	5/8"-11X3 1/2"	2	911129-128	
128	DISCHARGE FLG. CAPSCREW	5/8"-11X1 3/4"	2	911129-112	
128	DISCH. FLG. WASHER	5/8"	2	927122-100	
202	COVERPLATE CAPSCREW	5/8"-11X1 1/4"	4	911129-110	
207	MOTOR CAPSCREW				
	FRAMES 56C TO 145TC	3/8"- 16x1 1/4"	4	911121-110	
	182 TO 184TC	1/2"-13x1 1/4"	4	911125-110	
	213 TO 256TC	1/2"-13x1 1/4"	4	911125-110	
207	MOTOR CAPSCREW WASHER				
	FRAMES 56C TO 145TC	3/8"	4	927114-100	
	FRAMES 182TC to 256TC	1/2"	4	927114-100	
223	SUPPORT CAPSCREW	1/2"-13X1 1/2"	2	911121-108	
223	SUPPORT WASHER	1/2"	2	927114-100	
225	INT. BRG. ASSY. CAPSCREWS	5/8"-11X3"	4	911129-124	
226	INT. BRG. CAPS. NUTS	5/8"	4	913125-100	
349	BEARING FRAME CAPSCREW	5/8"- 11x1 1/4"	4	911129-110	
614	SWITCH STAND CAPSCREW	1/2"- 13x7/8"	2	911125-107	
614	SWITCH STAND WASHER	1/2"	2	927117-100	
615	GUIDE CAPSCREW	3/8"- 16x1/2"	1	916521-712	
616	FLOAT SWITCH CAPSCREW	1/4"- 20X3/4"	4	911117-108	
616	FLOAT SWITCH WASHER	1/4"	4	927110-100	
617	FLOAT SWITCH NUT	1/4"- 20	4	913117-100	

# SEWAGE PUMP PARTS LIST SERIES 5400

<b>ITEM 124 DISCHARGE PIPE</b>			
<b>PUMP SIZE 3D2</b>			
<b>SUMP DEPTH (ft. &amp; in.)</b>	<b>DISCHARGE PIPE LENGTH (in inches)</b>	<b>PART NUMBER</b>	<b>BAR CODE</b>
2'	15 1/8"	441378-002	
2' - 6"	21 1/8"	441378-004	
3'	27 1/8"	441378-006	
3' - 6"	33 1/8"	441378-008	
4'	39 1/8"	441378-010	
4' - 6"	45 1/8"	441378-012	
5'	49 1/4"	441378-013	
5' - 6"	55 1/4"	441378-014	
6'	61 1/4"	441378-015	
6' - 6"	67 1/4"	441378-016	
7'	73 1/4"	441378-017	
7' - 6"	79 1/4"	441378-018	
8'	85 1/4"	441378-019	
9'	98 3/8"	441378-023	
10'	110 3/8"	441378-027	
11'	122 3/8"	441378-031	
12'	134 3/8"	441377-035	

# SEWAGE PUMP PARTS LIST SERIES 5400

<b>ITEM 124 DISCHARGE PIPE (Cont'd)</b>			
<b>PUMP SIZES 4D2, 4D3, 4E2 and 4E3</b>			
<b>SUMP DEPTH (ft. &amp; in.)</b>	<b>DISCHARGE PIPE LENGTH (in inches)</b>	<b>PART NUMBER</b>	<b>BAR CODE</b>
2'	11 1/4"	441379-001	
2' - 6"	17 1/4"	441379-002	
3'	23 1/4"	441379-003	
3' - 6"	29 1/4"	441379-004	
4'	35 1/4"	441379-005	
4' - 6"	41 1/4"	441379-006	
5'	48 3/8"	441379-008	
5' - 6"	54 3/8"	441379-010	
6'	60 3/8"	441379-012	
6' - 6"	66 3/8"	441379-014	
7'	72 3/8"	441379-016	
7' - 6"	78 3/8"	441379-018	
8'	84 3/8"	441379-020	
9'	97 1/2"	441379-024	
10'	109 1/2"	441379-028	
11'	121 1/2"	441379-032	
12'	133 1/2"	441379-036	

# SEWAGE PUMP PARTS LIST SERIES 5400

<b>ITEM 220 &amp; 224 PUMP LEGS***</b>					
<b>PUMP SIZE 3D2</b>					
<b>SUMP DEPTH (ft. &amp; in.)</b>	<b>PUMP LEG PART NUMBER &amp; QTY. REQ'D***</b>				<b>BAR CODE</b>
	<b>PART NUMBER</b>	<b>NO. REQ'D</b>	<b>PART NUMBER</b>	<b>NO. REQ'D</b>	
2'	441263-002	1			
2' - 6"	441263-004	1			
3'	441263-006	1			
3' - 6"	441263-008	1			
4'	441263-010	1			
4' - 6"	441263-012	1			
5'	441263-005	2			
5' - 6"	441263-006	2			
6'	441263-007	2			
6' - 6"	441263-008	2			
7'	441263-009	2			
7' - 6"	441263-009	1	441263-011	1	
8'	441263-011	2			
9'	441263-007	1	441263-008	2	
10'	441263-009	3			
11'	441263-010	2	441263-011	1	
12'	441263-011	1	441263-012	2	
<b>*** NOTES: LENGTHS OF PUMP LEGS:</b>					
441263-002 -- 15 3/16"		441263-006 -- 27 3/16"		441263-010 -- 39 3/16"	
441263-003 -- 18 3/16"		441263-007 -- 30 3/16"		441263-011 -- 42 3/16"	
441263-004 -- 21 3/16"		441263-008 -- 33 3/16"		441263-012 -- 45 3/16"	
441263-005 -- 24 3/16"		441263-009 -- 36 3/16"			

# SEWAGE PUMP PARTS LIST SERIES 5400

<b>ITEM 220 &amp; 224 PUMP LEGS***</b>					
<b>PUMP SIZES 4D2, 4D3, 4E2 and 4E3</b>					
SUMP DEPTH (ft. & in.)	PUMP LEG PART NUMBER & QTY. REQ'D***				BAR CODE
	PART NUMBER	NO. REQ'D	PART NUMBER	NO. REQ'D	
2'	441263-002	1			
2' - 6"	441263-003	1			
3'	441263-005	1			
3' - 6"	441263-007	1			
4'	441263-009	1			
4' - 6"	441263-011	1			
5'	441263-005	2			
5' - 6"	441263-006	2			
6'	441263-007	2			
6' - 6"	441263-008	2			
7'	441263-009	2			
7' - 6"	441263-009	1	441263-011	1	
8'	441263-011	2			
9'	441263-007	1	441263-008	2	
10'	441263-009	3			
11'	441263-010	2	441263-011	1	
12'	441263-011	1	441263-012	2	
<b>*** NOTES: LENGTHS OF PUMP LEGS:</b>					
441263-002 -- 15 3/16"	441263-006 -- 27 3/16"		441263-010 -- 39 3/16"		
441263-003 -- 18 3/16"	441263-007 -- 30 3/16"		441263-011 -- 42 3/16"		
441263-004 -- 21 3/16"	441263-008 -- 33 3/16"		441263-012 -- 45 3/16"		
441263-005 -- 24 3/16"	441263-009 -- 36 3/16"				



# SEWAGE PUMP PARTS LIST SERIES 5400

<b>ITEM 338 SHAFT (STEEL SHAFT MATERIAL)**</b>			
<b>PUMP SIZE 3D2</b>			
<b>SUMP DEPTH (ft. &amp; in.)</b>	<b>SHAFT LENGTH (in inches)</b>	<b>PART NUMBER</b>	<b>BAR CODE</b>
2'	23 5/16"	441259-002	
2" - 6"	29 5/16"	441259-004	
3'	32 5/16"	441259-006	
3' - 6"	41 5/16"	441259-008	
4'	47 5/16"	441259-010	
4' - 6"	53 5/16"	441259-012	
5'	57 7/16"	441259-014	
5' - 6"	63 7/16"	441259-016	
6'	69 7/16"	441259-018	
6' - 6"	75 7/16"	441259-020	
7'	81 7/16"	441259-022	
7' - 6"	87 7/16"	441259-024	
8'	93 7/16"	441259-026	
9'	106 9/16"	441259-031	
10'	118 9/16"	441259-035	
11'	130 9/16"	441259-039	
12'	142 9/16"	441259-043	

\*\* FOR STAINLESS STEEL SHAFTS SEE PAGE 16

# SEWAGE PUMP PARTS LIST SERIES 5400

<b>ITEM 338 SHAFT (304 S/S SHAFT MATERIAL)**</b>			
<b>PUMP SIZE 3D2</b>			
<b>SUMP DEPTH (ft. &amp; in.)</b>	<b>SHAFT LENGTH (in inches)</b>	<b>PART NUMBER</b>	<b>BAR CODE</b>
2'	23 5/16"	441259-702	
2" - 6"	29 5/16"	441259-704	
3'	32 5/16"	441259-706	
3' - 6"	41 5/16"	441259-708	
4'	47 5/16"	441259-710	
4' - 6"	53 5/16"	441259-712	
5'	57 7/16"	441259-714	
5' - 6"	63 7/16"	441259-716	
6'	69 7/16"	441259-718	
6' - 6"	75 7/16"	441259-720	
7'	81 7/16"	441259-722	
7' - 6"	87 7/16"	441259-724	
8'	93 7/16"	441259-726	
9'	106 9/16"	441259-731	
10'	118 9/16"	441259-735	
11'	130 9/16"	441259-739	
12'	142 9/16"	441259-743	

\*\* FOR STEEL SHAFTS SEE PAGE 15

# SEWAGE PUMP PARTS LIST SERIES 5400

<b>ITEM 338 SHAFT (STEEL SHAFT MATERIAL)**</b>			
<b>PUMP SIZES 4D2, 4D3, 4E2 and 4E3</b>			
<b>SUMP DEPTH (ft. &amp; in.)</b>	<b>SHAFT LENGTH (in inches)</b>	<b>PART NUMBER</b>	<b>BAR CODE</b>
2'	20 5/16"	441259-001	
2" - 6"	25 5/16"	441259-003	
3'	32 5/16"	441259-005	
3' - 6"	38 5/16"	441259-007	
4'	44 5/16"	441259-009	
4' - 6"	50 5/16"	441259-011	
5'	57 7/16"	441259-014	
5' - 6"	63 7/16"	441259-016	
6'	69 7/16"	441259-018	
6' - 6"	75 7/16"	441259-020	
7'	81 7/16"	441259-022	
7' - 6"	87 7/16"	441259-024	
8'	93 7/16"	441259-026	
9'	106 9/16"	441259-031	
10'	118 9/16"	441259-035	
11'	130 9/16"	441259-039	
12'	142 9/16"	441259-043	

**\*\* FOR STAINLESS STEEL SHAFTS SEE PAGE 18**

# SEWAGE PUMP PARTS LIST SERIES 5400

<b>ITEM 338 SHAFT (304 S/S SHAFT MATERIAL)**</b>			
<b>PUMP SIZES 4D2, 4D3, 4E2 and 4E3</b>			
<b>SUMP DEPTH (ft. &amp; in.)</b>	<b>SHAFT LENGTH (in inches)</b>	<b>PART NUMBER</b>	<b>BAR CODE</b>
2'	20 5/16"	441259-701	
2" - 6"	25 5/16"	441259-703	
3'	32 5/16"	441259-705	
3' - 6"	38 5/16"	441259-707	
4'	44 5/16"	441259-709	
4' - 6"	50 5/16"	441259-711	
5'	57 7/16"	441259-714	
5' - 6"	63 7/16"	441259-716	
6'	69 7/16"	441259-718	
6' - 6"	75 7/16"	441259-720	
7'	81 7/16"	441259-722	
7' - 6"	87 7/16"	441259-724	
8'	93 7/16"	441259-726	
9'	106 9/16"	441259-731	
10'	118 9/16"	441259-735	
11'	130 9/16"	441259-739	
12'	142 9/16"	441259-743	

\*\* FOR STEEL SHAFTS SEE PAGE 17

# SEWAGE PUMP PARTS LIST SERIES 5400

<b>ITEM 347 LUBRICATION TUBING**</b>			
<b>GREASE LUBRICATION***</b>			
SUMP DEPTH (ft. & in.)	TUBING LENGTH (in inches)	PART NUMBER	BAR CODE
2'	21"	997529-003	
2" - 6"	27"	997529-003	
3'	27"	997529-003	
3' - 6"	39"	997529-003	
4'	47"	997529-003	
4' - 6"	73"	997529-003	
5'	99"	997529-003	
5' - 6"	99"	997529-003	
6'	108"	997529-003	
6' - 6"	117"	997529-003	
7'	126"	997529-003	
7' - 6"	135"	997529-003	
8'	144"	997529-003	
9'	206"	997529-003	
10'	231"	997529-003	
11'	254"	997529-003	
12'	278"	997529-003	
<p><b>** NOTES: When ordering Lubrication Tubing you must order by the Part Number followed by the tubing length as illustrated above.</b></p> <p><b>*** NOTES: For Oil Lubrication see Page 20</b></p>			

# SEWAGE PUMP PARTS LIST SERIES 5400

<b>ITEM 347 LUBRICATION TUBING**</b>			
<b>OIL LUBRICATION***</b>			
<b>SUMP DEPTH (ft. &amp; in.)</b>	<b>TUBING LENGTH (in inches)</b>	<b>PART NUMBER</b>	<b>BAR CODE</b>
2'	31"	997302-003	
2' - 6"	37"	997302-003	
3'	37"	997302-003	
3' - 6"	47"	997302-003	
4'	57"	997302-003	
4' - 6"	88"	997302-003	
5'	119"	997302-003	
5' - 6"	124"	997302-003	
6'	129"	997302-003	
6' - 6"	136"	997302-003	
7'	145"	997302-003	
7' - 6"	150"	997302-003	
8'	155"	997302-003	
9'	236"	997302-003	
10'	261"	997302-003	
11'	284"	997302-003	
12'	308"	997302-003	

**\*\* NOTES:** When ordering Lubrication Tubing you must order by the Part Number followed by the tubing length as illustrated above.

**\*\*\* NOTES:** For Grease Lubrication see Page 19

# SEWAGE PUMP PARTS LIST SERIES 5400

<b>ITEM 609 FLOAT ROD</b>			
<b>BRASS***</b>			
<b>SUMP DEPTH (ft. &amp; in.)</b>	<b>FLOAT ROD LENGTH (in inches)</b>	<b>PART NUMBER**</b>	<b>BAR CODE</b>
2'	27"	997407-034	
2' - 6"	32"	997407-034	
3'	38"	997407-034	
3' - 6"	44"	997407-034	
4'	50"	997407-034	
4' - 6"	56"	997407-034	
5'	62"	997407-034	
5' - 6"	68"	997407-034	
6'	74"	997407-034	
6' - 6"	80"	997407-034	
7'	86"	997407-034	
7' - 6"	92"	997407-034	
8'	98"	997407-034	
8' - 6"	104"	997407-034	
9'	110"	997407-034	
9' - 6"	116"	997407-034	
10'	122"	997407-034	
10' - 6"	128"	997407-034	
11'	134"	997407-034	
11' - 6"	140"	997407-034	
12'	146"	997407-034	

**\*\* NOTES:** When ordering Float Rods you must order by the Part Number followed by the rod length as illustrated above.

**\*\*\* NOTES:** For Stainless Steel Float Rods See Page 22

# SEWAGE PUMP PARTS LIST SERIES 5400

<b>ITEM 609 FLOAT ROD**</b>			
<b>304 STAINLESS STEEL***</b>			
SUMP DEPTH (ft. & in.)	FLOAT ROD LENGTH (in inches)	PART NUMBER**	BAR CODE
2'	27"	997601-002	
2' - 6"	32"	997601-002	
3'	38"	997601-002	
3' - 6"	44"	997601-002	
4'	50"	997601-002	
4' - 6"	56"	997601-002	
5'	62"	997601-002	
5' - 6"	68"	997601-002	
6'	74"	997601-002	
6' - 6"	80"	997601-002	
7'	86"	997601-002	
7' - 6"	92"	997601-002	
8'	98"	997601-002	
8' - 6"	104"	997601-002	
9'	110"	997601-002	
9' - 6"	116"	997601-002	
10'	122"	997601-002	
10' - 6"	128"	997601-002	
11'	134"	997601-002	
11' - 6"	140"	997601-002	
12'	146"	997601-002	

**\*\* NOTES:** When ordering Float Rods you must order by the Part Number followed by the rod length as illustrated above.

**\*\*\* NOTES:** For Brass Float Rods See Page 21