

File No.	6052.123
Date:	January 6, 2003
Supersedes:	6052.123
Date:	June 1, 1996

ARMSTRONG

PARTS LIST

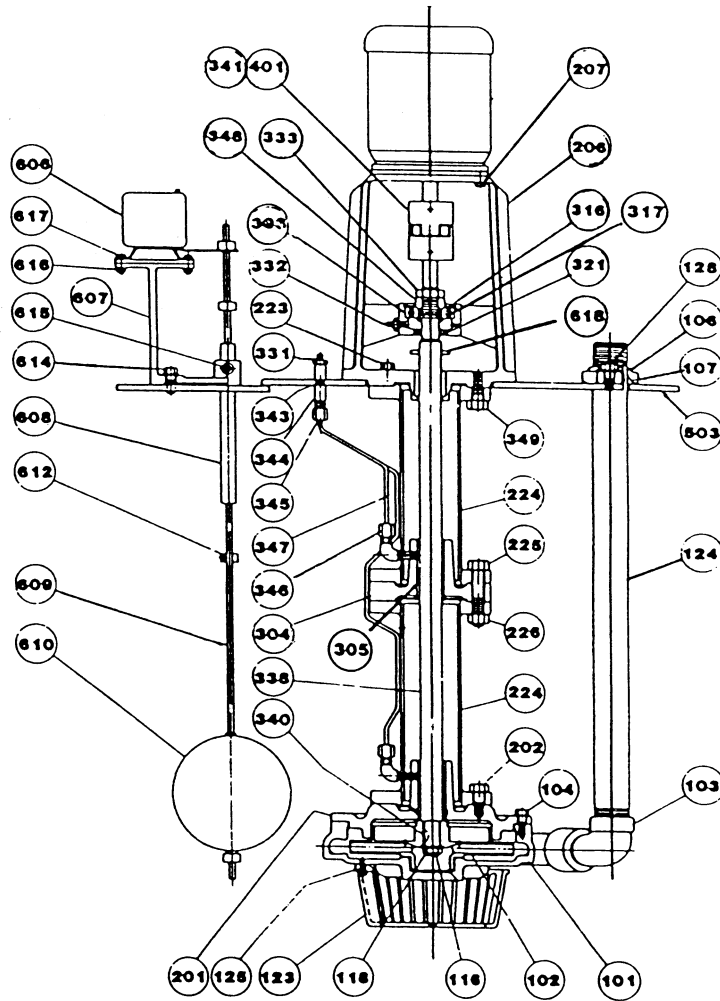
SERIES 5240

SUMP PUMP

FOR PUMPS
SERIAL NUMBER 71854 AND LATER

NEW DESIGN

5240 SUMP PUMP PARTS IDENTIFICATION



ITEM	DESCRIPTION	PAGE	ITEM	DESCRIPTION	PAGE	ITEM	DESCRIPTION	PAGE
101	Volute	2	223	Support Caps. & Washer	9	344	Pipe Coupling	5
102	Impeller	2	224	Pump Leg 2D	13	345	Tube Connector	6
103	Discharge Elbow	2	224	Pump Leg 1 1/2 & 2 1/2E	14	346	Street Elbow	6
104	Volute Capscrew	9	225	Int. Brg. Capscrews	9	347	Lubrication Tubing (Grs)	19
106	Discharge Flange	2	226	Int. Brg. Caps. Nuts	9	347	Lubrication Tubing (oil)	20
107	Discharge Flange Gasket	3	303	Thrust Bearing	4	348	Brg. Collar & Set Screws	6
108	Flange Nut	9	304	Int. Bearing Assy.	4	349	Brg. Frame Screw	9
109	Flange Bolt	9	305	Int. Bearing Only	4	401	Coupler	6
116	Impeller Nut	3	316	Retaining Ring (external)	4	503	Floor Plate	6
118	Imp. Nut Lockwasher	3	317	Retaining Ring (internal)	5	606	Float Switch	6
123	Strainer	3	321	Oil Seal	5	607	Switch Stand	7
124	Discharge Pipe 1 1/2E	10	331	Grease Fitting	5	608	Float Rod Guide	7
124	Discharge Pipe 2 1/2E	11	332	Grease Fitting	5	609	Float Rod (Brass)	21
124	Discharge Pipe 2D	12	333	Locknut	5	609	Float Rod (SST)	22
125	Strainer/Suc. Plate Screw	9	338	Shaft 2D (Stl)	15	610	Float	7
128	Dis. Pipe Caps. & Washer	9	338	Shaft 2D (SST)	16	612	Stop & Set Screws	7
201	Cvrplt. & Lwr. Brg. Assy.	3	338	Shaft 1 1/2 & 2 1/2E (Stl)	17	614	Sw. Stand Screw & Wshr.	8
201A	Lower Bearing Only	4	338	Shaft 1 1/2 & 2 1/2E (SST)	18	615	Guide Capscrew	9
202	Coverplate Capscrew	9	340	Impeller Key	5	616	Float Sw. Screw & Wshr.	9
206	Motor Support	4	341	Coupler Key	5	617	Float Switch Nut	9
207	Motor Caps. & Washer	9	343	Pipe Nipple	5	618	Water Slinger	6

SUMP PUMP PARTS LIST SERIES 5240

ITEM 101 VOLUTE			
PUMP SIZE	CONSTRUCTION	PART NUMBER	BAR CODE
2D	A.I./B.F.	441353-011	
1 1/2E	A.I./B.F.	441342-011	
2 1/2E	A.I./B.F.	441352-011	

ITEM 102 IMPELLER**			
PUMP SIZE	CONSTRUCTION	PART NUMBER	BAR CODE
2D	A.I	411860-011	
2D	B.F.	411860-041	
1 1/2E	A.I	407922-011	
1 1/2E	B.F.	407922-041	
2 1/2E	A.I	411881-011	
2 1/2E	B.F.	411881-041	

**** NOTES:** Impeller Part Numbers are for full or maximum diameter Impellers. Specify the Serial Number when ordering and, where possible, advise the diameter of the Impeller being replaced

ITEM 103 DISCHARGE ELBOW			
PUMP SIZE	CONSTRUCTION	PART NUMBER	BAR CODE
2D	A.I./B.F.	931110-108	
1 1/2E	A.I./B.F.	931110-107	
2 1/2E	A.I./B.F.	441477-000	

ITEM 106 DISCHARGE FLANGE			
PUMP SIZE	CONSTRUCTION	PART NUMBER	BAR CODE
2D	A.I./B.F.	441327-010	
1 1/2E	A.I./B.F.	441326-010	
2 1/2E	A.I./B.F.	441328-010	

SUMP PUMP PARTS LIST SERIES 5240

ITEM 107 DISCHARGE FLANGE GASKET			
PUMP SIZE	CONSTRUCTION	PART NUMBER	BAR CODE
2D	A.I./B.F.	441351-002	
1 1/2E	A.I./B.F.	441351-001	
2 1/2E	A.I./B.F.	441351-003	

ITEM 116 IMPELLER NUT			
PUMP SIZE	CONSTRUCTION	PART NUMBER	BAR CODE
2D			
1 1/2E	A.I./B.F.	441269-000	
2 1/2E			

ITEM 118 IMPELLER NUT LOCKWASHER			
PUMP SIZE	CONSTRUCTION	PART NUMBER	BAR CODE
ALL SIZES	A.I./B.F.	927217-100	

ITEM 123 STRAINER			
PUMP SIZE	CONSTRUCTION	PART NUMBER	BAR CODE
2D	A.I./B.F.	441184-010	
1 1/2E & 2 1/2E	A.I./B.F.	441291-000	

ITEM 201 COVERPLATE & LOWER BRG. ASSY.			
PUMP SIZE	CONSTRUCTION	PART NUMBER	BAR CODE
2D	A.I./B.F. (Std. Grs. Lub.)	440496-012	
1 1/2E & 2 1/2E	A.I./B.F. (Std. Grs. Lub.)	441250-012	
2D	A.I./B.F. (Cutlass Rubber)	440496-014	
1 1/2E & 2 1/2E	A.I./B.F. (Cutlass Rubber)	441250-014	
2D	A.I./B.F. (Carbon)	440496-082	
1 1/2E & 2 1/2E	A.I./B.F. (Carbon)	441250-082	
2D	A.I./B.F. (Oil Lub.)	441438-012	
1 1/2E & 2 1/2E	A.I./B.F. (Oil Lub.)	441439-012	

SUMP PUMP PARTS LIST SERIES 5240

ITEM 201 LOWER BEARING ONLY			
PUMP SIZE	CONSTRUCTION	PART NUMBER	BAR CODE
ALL SIZES	A.I./B.F. (Std. Grs. Lub.)	441260-012	
ALL SIZES	A.I./B.F. (Carbon)	441436-000	
ALL SIZES	A.I./B.F. (Cutlass)	441418-003	

ITEM 206 MOTOR SUPPORT			
MOTOR FRAME	CONSTRUCTION	PART NUMBER	BAR CODE
56 C	A.I./B.F.	441639-011	
143 TC - 145 TC	A.I./B.F.	441639-011	
182 TC - 184 TC	A.I./B.F.	441656-011	
213 TC - 215 TC	A.I./B.F.	441656-011	

ITEM 303 THRUST BALL BEARING			
PUMP SIZE	CONSTRUCTION	PART NUMBER	BAR CODE
ALL SIZES	A.I./B.F.	971101-363	

ITEM 304 INTERMEDIATE BRG.ASSY.			
PUMP SIZE	CONSTRUCTION	PART NUMBER	BAR CODE
ALL SIZES	A.I./B.F. (Std. Oil & Grs. Lub.)	440991-012	
ALL SIZES	A.I./B.F. (Cutlass)	440991-014	
ALL SIZES	A.I./B.F. (Carbon)	440991-082	

ITEM 305 INTERMEDIATE BRG. ONLY			
PUMP SIZE	CONSTRUCTION	PART NUMBER	BAR CODE
ALL SIZES	A.I./B.F. (Std. Oil & Grs. Lub.)	441260-011	
ALL SIZES	A.I./B.F. (Cutlass)	441418-003	
ALL SIZES	A.I./B.F. (Carbon)	441436-000	

ITEM 316 RETAINING RING (external)			
PUMP SIZE	CONSTRUCTION	PART NUMBER	BAR CODE
ALL SIZES	A.I./B.F.	923104-116	

SUMP PUMP PARTS LIST SERIES 5240

ITEM 317 RETAINING RING (internal)			
PUMP SIZE	CONSTRUCTION	PART NUMBER	BAR CODE
ALL SIZES	A.I./B.F.	923100-059	

ITEM 321 OIL SEAL			
PUMP SIZE	CONSTRUCTION	PART NUMBER	BAR CODE
ALL SIZES	A.I./B.F.	965000-209	

ITEM 331 & 332 GREASE FITTING			
&	CONSTRUCTION	PART NUMBER	BAR CODE
ALL SIZES	A.I./B.F.	425030-011	

ITEM 333 LOCKNUT			
PUMP SIZE	CONSTRUCTION	PART NUMBER	BAR CODE
ALL SIZES	A.I./B.F.	913608-100	

ITEM 340 IMPELLER KEY			
PUMP SIZE	CONSTRUCTION	PART NUMBER	BAR CODE
ALL SIZES	A.I./B.F.	974515-100	

ITEM 341 COUPLER KEY			
PUMP SIZE	SIZE	PART NUMBER	BAR CODE
ALL SIZES	3/8" SQ.x1 1/2" LG.	428160-112	

ITEM 343 PIPE NIPPLE			
PUMP SIZE	CONSTRUCTION	PART NUMBER	BAR CODE
ALL SIZES	A.I./B.F.	938000-000	

ITEM 344 GREASE LINE COUPLING			
PUMP SIZE	CONSTRUCTION	PART NUMBER	BAR CODE
ALL SIZES	A.I./B.F.	931104-000	

SUMP PUMP PARTS LIST SERIES 5240

ITEM 345 TUBE CONNECTOR (mips)			
PUMP SIZE	CONSTRUCTION	PART NUMBER	BAR CODE
ALL SIZES	A.I./B.F.	939001-105	

ITEM 346 TUBE CONNECTOR ELBOW (mips)			
PUMP SIZE	CONSTRUCTION	PART NUMBER	BAR CODE
ALL SIZES	A.I./B.F.	931100-000	

ITEM 348 BEARING COLLAR & SET SCREW			
PUMP SIZE	CONSTRUCTION	PART NUMBER	BAR CODE
ALL SIZES	A.I./B.F.	441641-000	

ITEM 401 COUPLER			
MOTOR FRAME SIZE	CONSTRUCTION	PART NUMBER	BAR CODE
56 C	A.I./B.F.	841060-011	
143 TC - 145 TC	A.I./B.F.	841060-012	
182 TC - 184 TC	A.I./B.F.	841300-011	
213 TC - 215 TC	A.I./B.F.	841301-012	

ITEM 503 FLOOR PLATE			
PUMP SIZE	CONSTRUCTION	PART NUMBER	BAR CODE
2D	A.I./B.F.	441347-002	
1 1/2E	A.I./B.F.	441348-002	
2 1/2E	A.I./B.F.	441350-002	

ITEM 618 WATER SLINGER			
PUMP SIZE	CONSTRUCTION	PART NUMBER	BAR CODE
ALL SIZES	A.I./B.F.	406622-000	

SUMP PUMP PARTS LIST SERIES 5240

FLOAT SWITCH ACCESSORIES			
ITEM 606 FLOAT SWITCH			
CLASS	NEMA SIZE	PART NUMBER (ALL SIZES)	BAR CODE
9036	NEMA 1 GG-2	440457-003	
	NEMA 4 DW-1	440457-004	
	NEMA 7 DR-1	440457-002	
ITEM 606 FLOAT SWITCH c/w MECH. ALT.			
CLASS	NEMA SIZE	PART NUMBER (ALL SIZES)	BAR CODE
9038	NEMA 1 AG-1	440458-000	
	NEMA 4 AW-1	440458-001	
	NEMA 7 AR-1	440458-002	
ITEM 607 SWITCH STAND			
PUMP SIZE	CONSTRUCTION	PART NUMBER	BAR CODE
ALL SIZES	A.I./B.F.	441080-011	
ITEM 608 FLOAT ROD GUIDE ASSY.			
PUMP SIZE	SUMP DEPTH	PART NUMBER	BAR CODE
ALL SIZES	2' - 0" TO 5' - 0"	441279-011	
	5' - 6" TO 7' - 6"	441279-012	
	8' - 0" TO 10' - 0"	441279-013	
	10' - 6" TO 12' - 0"	441279-014	
ITEM 610 FLOAT			
PUMP SIZE	MATERIAL	PART NUMBER	BAR CODE
ALL SIZES	COPPER	440460-041	
	STAINLESS STEEL	440460-071	

SUMP PUMP PARTS LIST SERIES 5240

FLOAT SWITCH ACCESSORIES (Cont'd)			
ITEM 612 FLOAT STOP (c/w Set Screws)			
PUMP SIZE	MATERIAL	PART NUMBER	BAR CODE
ALL SIZES	BRASS	440462-000	
	304 S/S	440462-071	

OIL LUBRICATION ACCESSORIES

OILERS***				
OILER TYPE	OILER SIZE	NUMBER OF FEEDS	PART NUMBER	BAR CODE
MANUAL	1 PINT	1	441329-001	
		2	441329-002	
		3	441329-003	
MANUAL	1 QUART	1	441330-001	
		2	441330-002	
		3	441330-003	
AUTOMATIC	1 PINT	1	441339-001	
		2	441339-002	
		3	441339-003	
AUTOMATIC	1 QUART	1	441340-001	
		2	441340-002	
		3	441340-003	

***NOTES: Automatic Oiler Part Numbers For 110Volt/1 Phase/60 Cycle only

OILER MOUNTING BRACKET			
PUMP SIZE	CONSTRUCTION	PART NUMBER	BAR CODE
ALL SIZES	A.I./B.F.	440467-000	

SUMP PUMP PARTS LIST SERIES 5240

HARDWARE (all sizes)					
ITEM NO.	DESCRIPTION	SIZE	NO. REQ'D	PART NUMBER	BAR CODE
104	VOLUTE CAPSCREW				
	MODEL 2D	3/8"-16X1"	8	911121-108	
	MODELS 1 1/2E AND 2 1/2 E	1/2"-13X1"	12	911125-108	
108	FLANGE NUT	5/8"-11	2	913129-100	
109	FLANGE BOLT	5/8"-11X3 1/2"	2	911129-128	
125	STRAINER/SUC. PLT. SCREW	1/4"- 20x3/4"	2	916217-412	
128	DISCHARGE FLG. CAPSCREW	5/8"-11X1 3/4"	2	911129-114	
128	DISCH. FLG. WASHER	5/8"	2	927122-100	
202	COVERPLATE CAPSCREW	5/8"-11X1 1/4"	4	911129-110	
207	MOTOR CAPSCREW				
	FRAMES 56C TO 145TC	3/8"- 16x1 1/4"	4	911121-110	
	182 TO 184TC	1/2"-13x1"	4	911125-108	
	213 TO 256TC	1/2"-13x1 1/4"	4	911125-110	
207	MOTOR CAPSCREW WASHER				
	FRAMES 56C TO 145TC	3/8"	4	927114-100	
	FRAMES 182-184TC to	1/2"	4	927118-100	
223	SUPPORT CAPSCREW	1/2"-13X1 1/2"	2	911121-108	
223	SUPPORT WASHER	1/2"	2	927118-100	
225	INT. BRG. ASSY. CAPSCREWS	5/8"-11X3"	4	911129-124	
226	INT. BRG. CAPS. NUTS	5/8"	4	913125-100	
349	BEARING FRAME CAPSCREW	5/8"- 11x1 1/4"	4	911129-110	
614	SWITCH STAND CAPSCREW	1/2"- 13x7/8"	2	911125-107	
614	SWITCH STAND WASHER	1/2"	2	927117-100	
615	GUIDE CAPSCREW	3/8"- 16x1/2"	1	916521-712	
616	FLOAT SWITCH CAPSCREW	1/4"- 20X3/4"	4	911117-108	
616	FLOAT SWITCH WASHER	1/4"	4	927110-100	
617	FLOAT SWITCH NUT	1/4"- 20	4	913117-100	

SUMP PUMP PARTS LIST SERIES 5240

ITEM 124 DISCHARGE PIPE (Cont'd)			
PUMP SIZE 1 1/2E			
SUMP DEPTH (ft. & in.)	DISCHARGE PIPE LENGTH (in inches)	PART NUMBER	BAR CODE
2'	19 1/4"	441375-040	
2" - 6"	25 1/4"	441375-041	
3'	31 1/4"	441375-042	
3' - 6"	37 1/4"	441375-043	
4'	43 1/4"	441375-044	
4' - 6"	49 1/4"	441375-045	
5'	53 3/8"	441375-046	
5' - 6"	59 3/8"	441375-047	
6'	65 3/8"	441375-048	
6' - 6"	71 3/8"	441375-049	
7'	77 3/8"	441375-050	
7' - 6"	83 3/8"	441375-051	
8'	89 3/8"	441375-052	
9'	102 1/2"	441375-053	
10'	114 1/2"	441375-054	
11'	126 1/2"	441375-055	
12'	138 1/2"	441189-056	

SUMP PUMP PARTS LIST SERIES 5240

ITEM 124 DISCHARGE PIPE (Cont'd)			
PUMP SIZE 2 1/2E			
SUMP DEPTH (ft. & in.)	DISCHARGE PIPE LENGTH (in inches)	PART NUMBER	BAR CODE
2'	16 7/8"	441377-040	
2" - 6"	22 7/8"	441377-041	
3'	28 7/8"	441377-042	
3' - 6"	34 7/8"	441377-043	
4'	40 7/8"	441377-044	
4' - 6"	46 7/8"	441377-045	
5'	53 3/4"	441377-022	
5' - 6"	59 3/4"	441377-023	
6'	65 3/4"	441377-024	
6' - 6"	71 3/4"	441377-025	
7'	77 3/4"	441377-026	
7' - 6"	83 3/4"	441377-027	
8'	89 3/4"	441377-028	
9'	102 7/8"	441377-029	
10'	114 7/8"	441377-030	
11'	126 7/8"	441377-031	
12'	138 7/8"	441377-032	

SUMP PUMP PARTS LIST SERIES 5240

ITEM 124 DISCHARGE PIPE			
PUMP SIZE 2 D			
SUMP DEPTH (ft. & in.)	DISCHARGE PIPE LENGTH (in inches)	PART NUMBER	BAR CODE
2'	18 1/4"	441376-001	
2" - 6"	24 1/4"	441376-002	
3'	30 1/4"	441376-003	
3' - 6"	36 1/4"	441376-004	
4'	42 1/4"	441376-005	
4' - 6"	48 1/4"	441376-006	
5'	56 1/8"	441376-008	
5' - 6"	61 3/8"	441376-010	
6'	67 3/8"	441376-012	
6' - 6"	73 3/8"	441376-014	
7'	79 3/8"	441376-016	
7' - 6"	85 3/8"	441376-018	
8'	91 3/8"	441376-020	
9'	104 1/2"	441376-024	
10'	116 1/2"	441376-028	
11'	128 1/2"	441376-032	
12'	140 1/2"	441376-036	

SUMP PUMP PARTS LIST SERIES 5240

ITEM 224 PUMP LEG***					
PUMP SIZE 2 D					
SUMP DEPTH (ft. & in.)	PUMP LEG PART NUMBER & QTY. REQ'D***				BAR CODE
	PART NUMBER	NO. REQ'D	PART NUMBER	NO. REQ'D	
2'	441263-002	1			
2' - 6"	441263-004	1			
3'	441263-006	1			
3' - 6"	441263-008	1			
4'	441263-010	1			
4' - 6"	441263-012	1			
5'	441263-005	1	441263-006	1	
5' - 6"	441263-006	1	441263-007	1	
6'	441263-007	1	441263-008	1	
6' - 6"	441263-008	1	441263-009	1	
7'	441263-009	1	441263-010	1	
7' - 6"	441263-010	1	441263-011	1	
8'	441263-011	1	441263-012	1	
9'	441263-008	3			
10'	441263-009	2	441263-010	1	
11'	441263-010	1	441263-011	2	
12'	441263-012	3			
*** NOTES: LENGTHS OF PUMP LEGS:					
441263-002 -- 15 3/16"		441263-007 -- 30 3/16"		441263-011 -- 42 3/16"	
441263-004 -- 21 3/16"		441263-008 -- 33 3/16"		441263-012 -- 45 3/16"	
441263-005 -- 24 3/16"		441263-009 -- 36 3/16"			
441263-006 -- 27 3/16"		441263-010 -- 39 3/16"			

SUMP PUMP PARTS LIST SERIES 5240

ITEM 224 PUMP LEG***					
PUMP SIZES 1 1/2 E & 2 1/2 E					
SUMP DEPTH (ft. & in.)	PUMP LEG PART NUMBER & QTY. REQ'D***				BAR CODE
	PART NUMBER	NO. REQ'D	PART NUMBER	NO. REQ'D	
2'	441263-002	1			
2' - 6"	441263-004	1			
3'	441263-006	1			
3' - 6"	441263-008	1			
4'	441263-010	1			
4' - 6"	441263-012	1			
5'	441263-005	2			
5' - 6"	441263-006	2			
6'	441263-007	2			
6' - 6"	441263-008	2			
7'	441263-009	2			
7' - 6"	441263-010	2			
8'	441263-011	2			
9'	441263-007	1	441263-008	2	
10'	441263-009	3			
11'	441263-010	2	441263-011	1	
12'	441263-011	1	441263-012	2	
*** NOTES: LENGTHS OF PUMP LEGS:					
441263-002 -- 15 3/16"		441263-007 -- 30 3/16"		441263-011 -- 42 3/16"	
441263-004 -- 21 3/16"		441263-008 -- 33 3/16"		441263-012 -- 45 3/16"	
441263-005 -- 24 3/16"		441263-009 -- 36 3/16"			
441263-006 -- 27 3/16"		441263-010 -- 39 3/16"			

SUMP PUMP PARTS LIST SERIES 5240

ITEM 338 SHAFT (STEEL SHAFT MATERIAL)**			
PUMP SIZE 2 D			
SUMP DEPTH (ft. & in.)	SHAFT LENGTH (in inches)	PART NUMBER	BAR CODE
2'	28 1/32"	441642-002	
2' - 6"	34 1/32"	441642-004	
3'	40 1/32"	441642-006	
3' - 6"	46 1/32"	441642-008	
4'	52 1/32"	441642-010	
4' - 6"	58 1/32"	441642-012	
5'	65 5/32"	441642-014	
5' - 6"	71 5/32"	441642-016	
6'	77 5/32"	441642-018	
6' - 6"	83 5/32"	441642-020	
7'	89 5/32"	441642-022	
7' - 6"	95 5/32"	441642-024	
8'	101 5/32"	441642-026	
9'	114 9/32"	441642-028	
10'	126 9/32"	441642-030	
11'	138 9/32"	441642-032	
12'	150 9/32"	441642-034	

** FOR STAINLESS STEEL SHAFTS SEE PAGE 16

SUMP PUMP PARTS LIST SERIES 5240

ITEM 338 SHAFT (304 S/S SHAFT MATERIAL)**			
PUMP SIZE 2 D			
SUMP DEPTH (ft. & in.)	SHAFT LENGTH (in inches)	PART NUMBER	BAR CODE
2'	28 1/32"	441642-702	
2' - 6"	34 1/32"	441642-704	
3'	40 1/32"	441642-706	
3' - 6"	46 1/32"	441642-708	
4'	52 1/32"	441642-710	
4' - 6"	58 1/32"	441642-712	
5'	65 5/32"	441642-714	
5' - 6"	71 5/32"	441642-716	
6'	77 5/32"	441642-718	
6' - 6"	83 5/32"	441642-720	
7'	89 5/32"	441642-722	
7' - 6"	95 5/32"	441642-724	
8'	101 5/32"	441642-726	
9'	114 9/32"	441642-728	
10'	126 9/32"	441642-730	
11'	138 9/32"	441642-732	
12'	150 9/32"	441642-734	

** FOR STEEL SHAFTS SEE PAGE 15

SUMP PUMP PARTS LIST SERIES 5240

ITEM 338 SHAFT (STEEL SHAFT MATERIAL)**			
PUMP SIZE 1 1/2 E & 2 1/2 E			
SUMP DEPTH (ft. & in.)	SHAFT LENGTH (in inches)	PART NUMBER	BAR CODE
2'	28 1/32"	441642-002	
2' - 6"	34 1/32"	441642-004	
3'	40 1/32"	441642-006	
3' - 6"	46 1/32"	441642-008	
4'	52 1/32"	441642-010	
4' - 6"	58 1/32"	441642-012	
5'	62 5/32"	441642-013	
5' - 6"	68 5/32"	441642-015	
6'	74 5/32"	441642-017	
6' - 6"	80 5/32"	441642-019	
7'	86 5/32"	441642-021	
7' - 6"	92 5/32"	441642-023	
8'	98 5/32"	441642-025	
9'	111 9/32"	441642-027	
10'	123 9/32"	441642-029	
11'	135 9/32"	441642-031	
12'	147 9/32"	441642-033	

** FOR STAINLESS STEEL SHAFTS SEE PAGE 18

SUMP PUMP PARTS LIST SERIES 5240

ITEM 338 SHAFT (304 S/S SHAFT MATERIAL)**			
PUMP SIZE 1 1/2 E & 2 1/2 E			
SUMP DEPTH (ft. & in.)	SHAFT LENGTH (in inches)	PART NUMBER	BAR CODE
2'	28 1/32"	441642-702	
2' - 6"	34 1/32"	441642-704	
3'	40 1/32"	441642-706	
3' - 6"	46 1/32"	441642-708	
4'	52 1/32"	441642-710	
4' - 6"	58 1/32"	441642-712	
5'	62 5/32"	441642-713	
5' - 6"	68 5/32"	441642-715	
6'	74 5/32"	441642-717	
6' - 6"	80 5/32"	441642-719	
7'	86 5/32"	441642-721	
7' - 6"	92 5/32"	441642-723	
8'	98 5/32"	441642-725	
9'	111 9/32"	441642-727	
10'	123 9/32"	441642-729	
11'	135 9/32"	441642-731	
12'	147 9/32"	441642-733	

** FOR STEEL SHAFTS SEE PAGE 17

SUMP PUMP PARTS LIST SERIES 5240

ITEM 347 LUBRICATION TUBING**			
GREASE LUBRICATION***			
SUMP DEPTH (ft. & in.)	TUBING LENGTH (in inches)	PART NUMBER	BAR CODE
2'	27"	997529-003	
2' - 6"	27"	997529-003	
3'	33"	997529-003	
3' - 6"	39"	997529-003	
4'	45"	997529-003	
4' - 6"	51"	997529-003	
5'	90"	997529-003	
5' - 6"	99"	997529-003	
6'	108"	997529-003	
6' - 6"	117"	997529-003	
7'	126"	997529-003	
7' - 6"	135"	997529-003	
8'	144"	997529-003	
9'	189"	997529-003	
10'	210"	997529-003	
11'	231"	997529-003	
12'	252"	997529-003	

**** NOTES:** When ordering Lubrication Tubing you must order by the Part Number followed by the tubing length as illustrated above.

***** NOTES:** For Oil Lubrication see Page 20

SUMP PUMP PARTS LIST SERIES 5240

ITEM 347 LUBRICATION TUBING**			
OIL LUBRICATION***			
SUMP DEPTH (ft. & in.)	TUBING LENGTH (in inches)	PART NUMBER	BAR CODE
2'	39"	997302-003	
2" - 6"	39"	997302-003	
3'	45"	997302-003	
3' - 6"	51"	997302-003	
4'	57"	997302-003	
4' - 6"	63"	997302-003	
5'	102"	997302-003	
5' - 6"	111"	997302-003	
6'	120"	997302-003	
6' - 6"	129"	997302-003	
7'	138"	997302-003	
7' - 6"	147"	997302-003	
8'	156"	997302-003	
9'	201"	997302-003	
10'	222"	997302-003	
11'	243"	997302-003	
12'	264"	997302-003	

**** NOTES:** When ordering Lubrication Tubing you must order by the Part Number followed by the tubing length as illustrated above.

***** NOTES:** For Grease Lubrication see Page 19

SUMP PUMP PARTS LIST SERIES 5240

ITEM 609 FLOAT ROD			
SUMP DEPTH (ft. & in.)	FLOAT ROD LENGTH (in inches)	PART NUMBER ADM. BRASS	BAR CODE
2'	27"	997407-034	
2' - 6"	32"	997407-034	
3'	38"	997407-034	
3' - 6"	44"	997407-034	
4'	50"	997407-034	
4' - 6"	56"	997407-034	
5'	62"	997407-034	
5' - 6"	68"	997407-034	
6'	74"	997407-034	
6' - 6"	80"	997407-034	
7'	86"	997407-034	
7' - 6"	92"	997407-034	
8'	98"	997407-034	
8' - 6"	104"	997407-034	
9'	110"	997407-034	
9' - 6"	116"	997407-034	
10'	122"	997407-034	
10' - 6"	128"	997407-034	
11'	134"	997407-034	
11' - 6"	140"	997407-034	
12'	146"	997407-034	
<p>*** NOTES; When ordering Float Rods you must order by the Part Number followed by the rod length as illustrated above.</p> <p>*** NOTES; For Stainless Steel Float Rods see Page 22</p>			

SUMP PUMP PARTS LIST SERIES 5240

ITEM 609 FLOAT ROD			
SUMP DEPTH (ft. & in.)	FLOAT ROD LENGTH (in inches)	PART NUMBER 304 S/S	BAR CODE
2'	27"	997601-002	
2" - 6"	32"	997601-002	
3'	38"	997601-002	
3' - 6"	44"	997601-002	
4'	50"	997601-002	
4' - 6"	56"	997601-002	
5'	62"	997601-002	
5' - 6"	68"	997601-002	
6'	74"	997601-002	
6' - 6"	80"	997601-002	
7'	86"	997601-002	
7' - 6"	92"	997601-002	
8'	98"	997601-002	
8' - 6"	104"	997601-002	
9'	110"	997601-002	
9' - 6"	116"	997601-002	
10'	122"	997601-002	
10' - 6"	128"	997601-002	
11'	134"	997601-002	
11' - 6"	140"	997601-002	
12'	146"	997601-002	

***** NOTES; When ordering Float Rods you must order by the Part Number followed by the rod length as illustrated above.**

***** NOTES; For Brass Float Rods see Page 21**