

Series 4270

Closed coupled or
motor mounted pumps

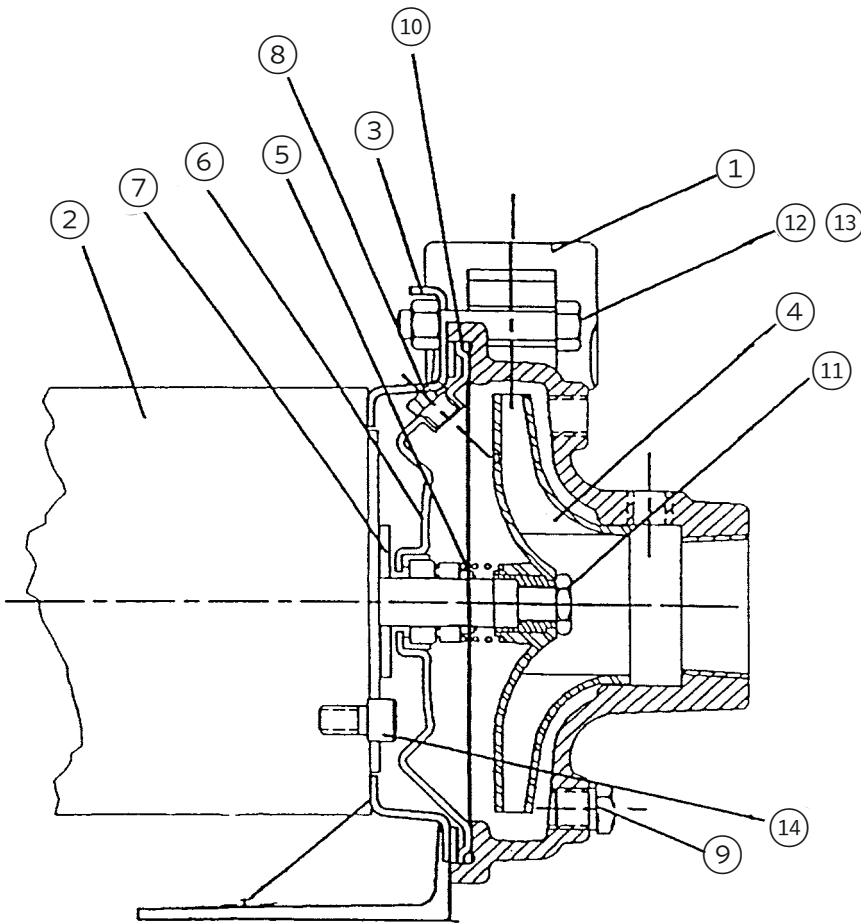
Parts list

File No: 6042.124
Date: APRIL 04, 2023
Supersedes: 6042.124
Date: APRIL 11, 2017

Series 4270

Close coupled or motor mounted pumps parts

Typical section view



INDEX

ITEM	DESCRIPTION	PAGE
①	Casing	3
②	Motor	**
③	Adapter bracket	5
④	Impeller/stock Impellers	3/4
⑤	Mechanical seal assembly	5
⑥	Faceplate	5
⑦	Water slinger	5
⑧	Vent plug	5

ITEM	DESCRIPTION	PAGE
⑨	Drain & gauge plugs	5
⑩	Casing O-ring	5
⑪	Impeller nut	5
⑫	Casing capscrew	6
⑬	Casing capscrew nut	6
⑭	Adapter bracket capscrew	6
***	Flush line components	6

Series 4270

Close coupled or motor mounted pumps parts

ITEM 1: CASING

PUMP SIZE	MATERIAL	PART NUMBER
1.25 × 1	Cast iron	410133-011
1.25 × 1	Bronze	410133-041
1.5 × 1.25	Cast iron	410134-011
1.5 × 1.25	Bronze	410134-041
2 × 1.5	Cast iron	410135-011
2 × 1.5	Bronze	410135-041

ITEM 4: IMPELLER**

PUMP SIZE	MATERIAL	PART NUMBER
1.25 × 1	ULTEM	410133-111
1.25 × 1	Bronze	410133-141
1.5 × 1.25	ULTEM	410134-111
1.5 × 1.25	Bronze	410134-141
2 × 1.5	ULTEM	410134-111
2 × 1.5	Bronze	410134-141

NOTE: ** Impeller Part Numbers are for full or maximum diameter Impellers.
Always specify Pump Serial Number and where possible, measure and advise the diameter of the Impeller being replaced on these Pumps.
For stock impeller diameters see page 4.

STOCK PUMP IMPELLER DIAMETERS

STOCK PUMP SIZE	MATERIAL	IMPELLER DIAMETERS
701	PEI resin	3.50 "
701	Bronze	3.50 "
702	PEI resin	3.50 "
702	Bronze	3.50 "
703	PEI resin	4.00 "
703	Bronze	4.00 "
704	PEI resin	4.38 "
704	Bronze	4.38 "
705	PEI resin	4.88 "
705	Bronze	4.88 "
706	PEI resin	5.00 "
706	Bronze	5.00 "
707	PEI resin	4.00 "
707	Bronze	4.00 "
708	PEI resin	4.38 "
708	Bronze	4.38 "
709	PEI resin	4.50 "
709	Bronze	4.50 "
710	PEI resin	5.00 "
710	Bronze	5.00 "
711	PEI resin	5.50 "
711	Bronze	5.50 "
12-03	Ultem	3.50 "
12-05	Ultem	3.50 "
12-07	Ultem	4.00 "
12-10	Ultem	4.25 "
12-15	Ultem	4.75 "
12-20	Ultem	5.00 "
17-15	Ultem	4.25 "
17-20	Ultem	4.50 "
17-30	Ultem	5.00 "
17-50	Ultem	5.50 "
61-30	Ultem	5.50 "

ITEM 3: ADAPTER BRACKET

PUMP SIZE	MATERIAL	PART NUMBER
All sizes	Di-cast aluminum	410133-191

ITEM 5: MECHANICAL SEAL ASSEMBLY

PUMP SIZE	MATERIAL	PART NUMBER
All sizes	304 SS	810134-000

ITEM 6: FACEPLATE

PUMP SIZE	MATERIAL	PART NUMBER
All sizes	304 SS	411133-171

ITEM 7: WATER SLINGER

PUMP SIZE	NO. REQUIRED	PART NUMBER
All sizes	1	410133-181

ITEM 8: VENT PLUG

PUMP SIZE	CONSTRUCTION	MATERIAL	SIZE	NO. REQUIRED	PART NUMBER
All	All	Bronze	3/8" NPT HEX HD.	1	935105-000

ITEM 9: DRAIN & GAUGE PLUGS

PUMP SIZE	CONSTRUCTION	MATERIAL	SIZE	NO. REQUIRED	PART NUMBER
All	A.B.	Bronze	1/4" NPT HEX HD.	3	935105-001
All	B.F.	Galvanized	1/4" NPT HEX HD.	3	935105-100

ITEM 10: CASING O-RING

PUMP SIZE	MATERIAL	PART NUMBER
All sizes	VITON	AS1170-363

ITEM 11: IMPELLER NUT

PUMP SIZE	CONSTRUCTION	MATERIAL	SIZE	NO. REQUIRED	PART NUMBER
All	All	304 SS	7/16" - 20 NF	1	913522-100

ITEM 12: CASING CAPSCREW

PUMP SIZE	CONSTRUCTION	MATERIAL	SIZE	NO. REQUIRED	PART NUMBER
All	All	Steel oiled finish	3/8 - 16NC x 2 1/4"	4	911121-118

ITEM 13: CASING CAPSCREW NUT

PUMP SIZE	CONSTRUCTION	MATERIAL	SIZE	NO. REQUIRED	PART NUMBER
All	All	Steel oiled finish	3/8 - 16NC	3	913521-100

ITEM 14: ADAPTER BRACKET CAPSCREW

PUMP SIZE	CONSTRUCTION	MATERIAL	SIZE	NO. REQUIRED	PART NUMBER
All	All	Steel unplated	3/8 - 16NC x 5/8" SOCKET. HD.	4	911821-105

MALE ELBOW

TORONTO
+44 416 755 2291

PUMP SIZE	CONSTRUCTION	MATERIAL	SIZE	NO. REQUIRED	PART NUMBER
All	All	Brass	1/4" TUBE x 1/4" NPT	2	939003-106

BUFFALO
+1 716 693 8813

MALE CONNECTOR

DROITWICH SPA
+44 121 550 5333

PUMP SIZE	CONSTRUCTION	MATERIAL	SIZE	NO. REQUIRED	PART NUMBER
All	All	Steel brass finish	1/4" TUBE x 1/8" NPT	2	939001-105

MANCHESTER
+44 161 223 2223

BANGALORE
+91 80 4906 3555

FLUSH LINE TUBING

SHANGHAI
+86 21 5237 0909

PUMP SIZE	CONSTRUCTION	MATERIAL	SIZE	NO. REQUIRED	PART NUMBER
All	All	Copper	1/4" OD x 12"	1	997529-003

BEIJING
+86 21 5237 0909

SÃO PAULO
+55 11 4785 1330

LYON
+33 4 26 83 78 74

DUBAI
+971 4 887 6775

JIMBOLIA
+40 256 360 030