

# Grooved and flanged Flo-Trex valves

---

## Parts list

**File No:** 6035.251EC  
**Date:** JANUARY 15, 2021  
**Supersedes:** NEW  
**Date:** NEW

—

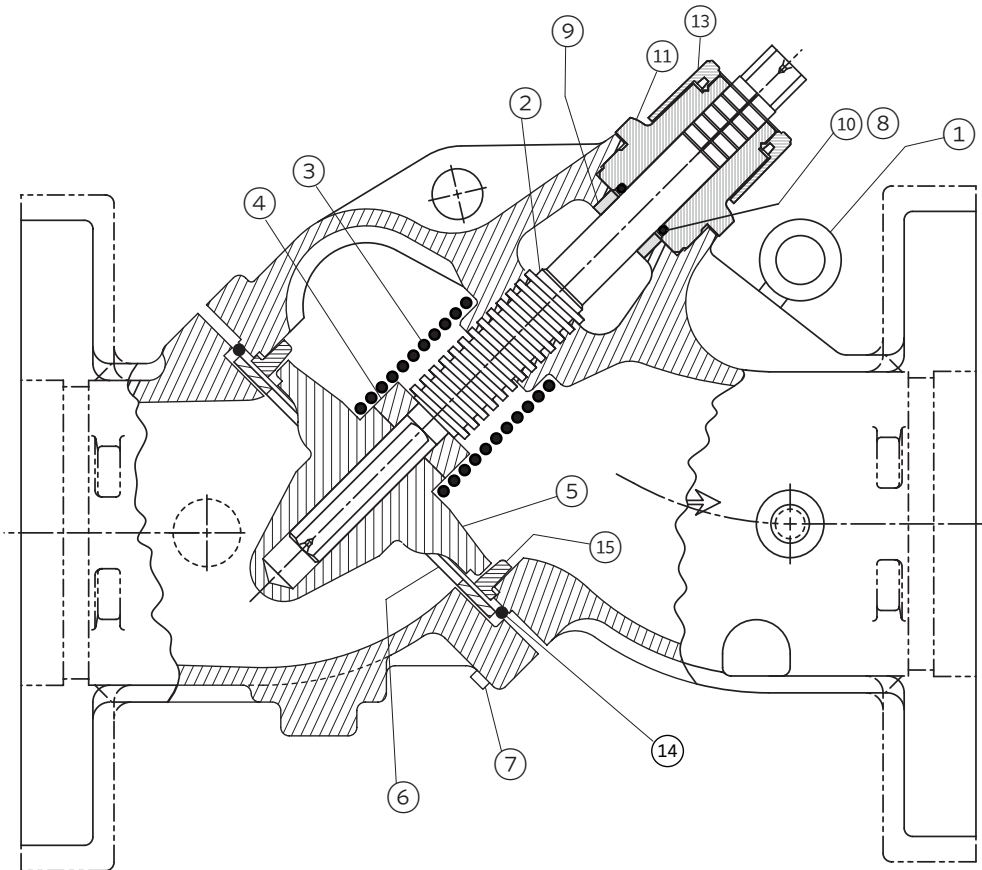
—

—

—

# CONTENTS

<b>1.0</b>	FTV flanged 2½" to 12"	4
<b>2.0</b>	FTV straight flanged 14" to 24"	9
<b>3.0</b>	FTV grooved 2½" to 12"	11

**1.0 FTV FLANGED 2½" TO 12"****TYPICAL SECTION VIEW**

ITEM	DESCRIPTION	PAGE
1	Eye bolt	4
2	Shaft	4
3	Spring	4
4	Spacer	4
5	Disc	6
6	Seat	6
7	Capscrew	6
8	Gasket	6

ITEM	DESCRIPTION	PAGE
9	Bushing	7
10	O-ring	7
11	Bonnet	7
12	Cap-sleeve (not shown)	7
13	Sleeve	8
14	O-ring body	8
15	Seat guide	8

**ITEM 1: EYE BOLT**

FTV SIZE	PART NUMBER
<b>PN 16</b>	
2½"	N/A
3"	N/A
4"	N/A
5"	N/A
6"	N/A
8"	911900-124
10"	911900-124
12"	911900-124
<b>PN 25</b>	
8"	911900-124
10"	911900-124
12"	911900-124

**ITEM 2: SHAFT**

FTV SIZE	PART NUMBER
<b>PN 16</b>	
2½"	570202-006
3"	570202-006
4"	570202-006
5"	570202-007
6"	570202-007
8"	570202-008
10"	570202-010
12"	570202-012
<b>PN 25</b>	
8"	570202-008
10"	570202-010
12"	570202-012

**ITEM 3: SPRING**

FTV SIZE	PART NUMBER
<b>PN 16</b>	
2½"	570203-002
3"	570203-004
4"	570203-004
5"	570203-005
6"	570203-006
8"	570203-008
10"	570203-010
12"	570203-012
<b>PN 25</b>	
8"	570203-008
10"	570203-010
12"	570203-012

**ITEM 4: SPACER**

FTV SIZE	PART NUMBER
<b>PN 16</b>	
2½"	570198-006
3"	570198-006
4"	570198-006
5"	570198-006
6"	570198-006
8"	570278-012
10"	570278-012
12"	570278-012
<b>PN 25</b>	
8"	570278-012
10"	570278-012
12"	570278-012

**ITEM 5: DISC**

FTV SIZE	PART NUMBER
<b>PN 16</b>	
2½"	570232-041
3"	570233-041
4"	570234-041
5"	570235-041
6"	570236-041
8"	570237-041
10"	570238-041
12"	570239-041
<b>PN 25</b>	
8"	570237-041
10"	570238-041
12"	570239-041

**ITEM 6: SEAT**

FTV SIZE	PART NUMBER
<b>PN 16</b>	
2½"	570196-102
3"	570196-103
4"	570196-104
5"	570196-105
6"	570196-106
8"	570196-108
10"	570196-110
12"	570196-112
<b>PN 25</b>	
8"	570196-108
10"	570196-110
12"	570196-112

**ITEM 7: CAPSCREW**

FTV SIZE	PART NUMBER
<b>PN 16</b>	
2½"	911821-112
3"	911821-112
4"	911825-112
5"	911829-114
6"	911829-114
8"	911829-118
10"	911829-120
12"	911831-124
<b>PN 25</b>	
8"	911829-118
10"	911829-120
12"	911831-124

**ITEM 8: GASKET**

FTV SIZE	PART NUMBER
<b>PN 16</b>	
2½"	570217-006
3"	570217-006
4"	570217-006
5"	570217-006
6"	570217-006
8"	570217-008
10"	570217-008
12"	570217-008
<b>PN 25</b>	
8"	570217-008
10"	570217-008
12"	570217-008

**ITEM 9: BUSHING**

FTV SIZE	PART NUMBER
<b>PN 16</b>	
2½"	570223-001
3"	570223-001
4"	570223-002
5"	570223-001
6"	570223-002
8"	N/A
10"	N/A
12"	N/A
<b>PN 25</b>	
8"	N/A
10"	N/A
12"	N/A

**ITEM 10: O-RING**

FTV SIZE	PART NUMBER
<b>PN 16</b>	
2½"	961131-210
3"	961131-210
4"	961131-210
5"	961131-210
6"	961131-210
8"	961131-327
10"	961131-327
12"	961131-327
<b>PN 25</b>	
8"	961131-327
10"	961131-327
12"	961131-327

**ITEM 11: BONNET**

FTV SIZE	PART NUMBER
<b>PN 16</b>	
2½"	570201-006
3"	570201-006
4"	570201-006
5"	570201-006
6"	570201-006
8"	570151-008
10"	570151-008
12"	570151-008
<b>PN 25</b>	
8"	570151-008
10"	570151-008
12"	570151-008

**ITEM 12: CAP-SLEEVE**

FTV SIZE	PART NUMBER
<b>PN 16</b>	
2½"	N/A
3"	N/A
4"	N/A
5"	N/A
6"	N/A
8"	570274-012
10"	570274-012
12"	570274-012
<b>PN 25</b>	
8"	570274-012
10"	570274-012
12"	570274-012

**ITEM 13: SLEEVE**

FTV SIZE	PART NUMBER
<b>PN 16</b>	
2½"	570216-000
3"	570216-000
4"	570216-000
5"	570216-000
6"	570216-000
8"	570216-008
10"	570216-012
12"	570216-012
<b>PN 25</b>	
8"	570216-008
10"	570216-012
12"	570216-012

**ITEM 15: SEAT GUIDE**

FTV SIZE	PART NUMBER
<b>PN 16</b>	
2½"	570196-702
3"	570196-703
4"	570196-707
5"	570196-705
6"	570196-706
8"	N/A
10"	N/A
12"	N/A
<b>PN 25</b>	
8"	N/A
10"	N/A
12"	N/A

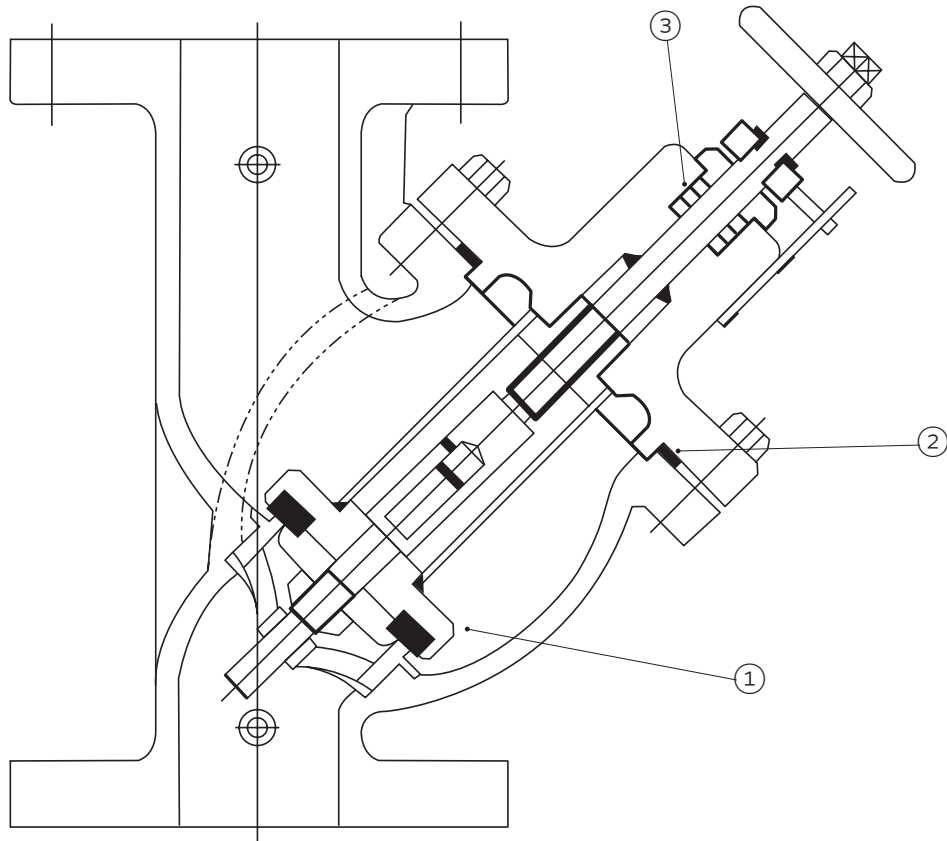
**ITEM 14: O-RING BODY**

FTV SIZE	PART NUMBER
<b>PN 16</b>	
2½"	961111-241
3"	961111-245
4"	961111-253
5"	961111-260
6"	AS1270-264
8"	961131-450
10"	961131-454
12"	961131-458
<b>PN 25</b>	
8"	961131-450
10"	961131-454
12"	961131-458



## 2.0 FTV STRAIGHT FLANGED 14" TO 24"

### TYPICAL SECTION VIEW



ITEM	DESCRIPTION	PAGE
1	Disc & holder assembly, EPDM	10
2	Gasket, cover	10
3	Packing, EPDM	10

**ITEM 1: DISC & HOLDER ASSEMBLY, EPDM**

<b>FTV SIZE</b>	<b>PART NUMBER</b>
14 "	870200-014
16 "	870200-016
18 "	870200-018
20 "	870200-020
24 "	870200-024

**ITEM 2: GASKET, COVER**

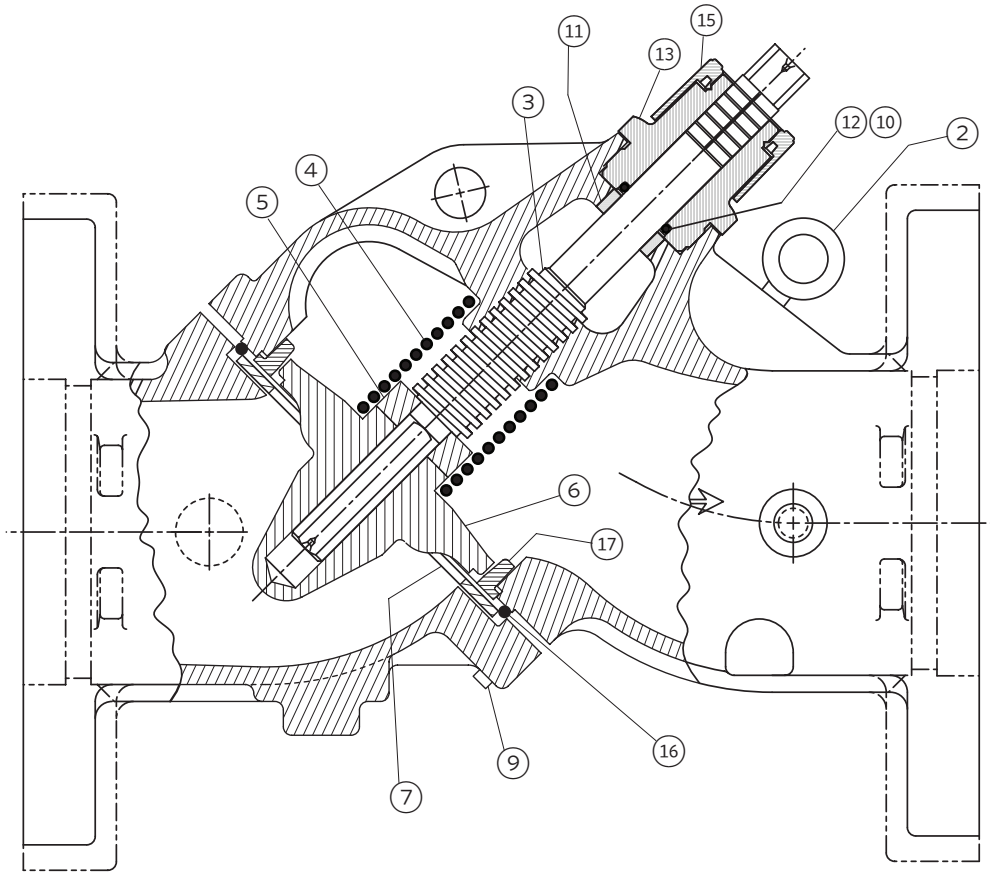
<b>FTV SIZE</b>	<b>PART NUMBER</b>
14 "	870300-014
16 "	870300-016
18 "	870300-018
20 "	870300-020
24 "	870300-024

**ITEM 3: PACKING, EPDM**

<b>FTV SIZE</b>	<b>PART NUMBER</b>
14 "	870400-014
16 "	870400-016
18 "	870400-018
20 "	870400-020
24 "	870400-024

### 3.0 FTV GROOVED 2½" TO 12"

#### TYPICAL SECTION VIEW



ITEM	DESCRIPTION	PAGE
2	Eye bolt	12
3	Shaft	12
4	Spring	12
5	Spacer	12
6	Disc	12
7	Seat	12
9	Capscrew	13

ITEM	DESCRIPTION	PAGE
10	Gasket	13
11	Bushing	13
12	O-ring	13
13	Bonnet	13
14	Cap-sleeve (not shown)	13
15	Sleeve	14
16	O-ring body	14

ITEM	DESCRIPTION	PAGE
17	Seat guide	14
-	Preformed insulation (straight)	14
-	Preformed insulation (angle)	14
-	Flanges 125/150	14
-	Flanges 250/300	15
-	Flange gasket	15
-	Lubrication tube	15

**ITEM 2: EYE BOLT**

FTV SIZE	PART NUMBER
2½ "	N/A
3 "	N/A
4 "	N/A
5 "	N/A
6 "	N/A
8 "	911900-124
10 "	911900-124
12 "	911900-124

**ITEM 3: SHAFT**

FTV SIZE	PART NUMBER
2½ "	570202-006
3 "	570202-006
4 "	570202-006
5 "	570202-007
6 "	570202-007
8 "	570202-008
10 "	570202-010
12 "	570202-012

**ITEM 4: SPRING**

FTV SIZE	PART NUMBER
2½ "	570203-002
3 "	570203-003
4 "	570203-004
5 "	570203-005
6 "	570203-006
8 "	570203-008
10 "	570203-010
12 "	570202-012

**ITEM 5: SPACER**

FTV SIZE	PART NUMBER
2½ "	570198-006
3 "	570198-006
4 "	570198-006
5 "	570198-006
6 "	570198-006
8 "	570278-012
10 "	570278-012
12 "	570278-012

**ITEM 6: DISC**

FTV SIZE	PART NUMBER
2½ "	570232-041
3 "	570233-041
4 "	570234-041
5 "	570235-041
6 "	570236-041
8 "	570237-041
10 "	570238-041
12 "	570239-041

**ITEM 7: SEAT**

FTV SIZE	PART NUMBER
2½ "	570196-102
3 "	570196-103
4 "	570196-104
5 "	570196-105
6 "	570196-106
8 "	570196-108
10 "	570196-110
12 "	570196-112

**ITEM 9: CAPSCREW**

FTV SIZE	PART NUMBER
2½ "	911821-112
3 "	911821-112
4 "	911825-112
5 "	911829-114
6 "	911829-114
8 "	911829-118
10 "	911829-120
12 "	911831-124

**ITEM 12: O-RING**

FTV SIZE	PART NUMBER
2½ "	961131-210
3 "	961131-210
4 "	961131-210
5 "	961131-210
6 "	961131-210
8 "	961131-327
10 "	961131-327
12 "	961131-327

**ITEM 10: GASKET**

FTV SIZE	PART NUMBER
2½ "	570217-006
3 "	570217-006
4 "	570217-006
5 "	570217-006
6 "	570217-006
8 "	570217-008
10 "	570217-008
12 "	570217-008

**ITEM 13: BONNET**

FTV SIZE	PART NUMBER
2½ "	570201-006
3 "	570201-006
4 "	570201-006
5 "	570201-006
6 "	570201-006
8 "	570201-008
10 "	570201-008
12 "	570201-008

**ITEM 11: BUSHING**

FTV SIZE	PART NUMBER
2½ "	570223-001
3 "	570223-001
4 "	570223-002
5 "	570223-001
6 "	570217-006
8 "	N/A
10 "	N/A
12 "	N/A

**ITEM 14: CAP-SLEEVE**

FTV SIZE	PART NUMBER
2½ "	N/A
3 "	N/A
4 "	N/A
5 "	N/A
6 "	N/A
8 "	570274-012
10 "	570274-012
12 "	570274-012

**ITEM 15: SLEEVE**

FTV SIZE	PART NUMBER
2½"	570216-000
3"	570216-000
4"	570216-000
5"	570216-000
6"	570216-000
8"	570216-008
10"	570216-012
12"	570216-012

**ITEM 16: O-RING BODY**

FTV SIZE	PART NUMBER
2½"	961111-241
3"	961111-245
4"	961111-253
5"	961111-260
6"	961111-264
8"	961131-450
10"	961131-454
12"	961131-458

**ITEM 17: SEAT GUIDE**

FTV SIZE	PART NUMBER
2½"	570196-402
3"	570196-403
4"	570196-404
5"	570196-405
6"	570196-406
8"	N/A
10"	N/A
12"	N/A

**PREFORMED INSULATION (STRAIGHT)**

FTV SIZE	PART NUMBER
2½"	570225-386
3"	570225-387
4"	570225-388
5"	570225-389
6"	570225-390
8"	N/A
10"	N/A
12"	N/A

**PREFORMED INSULATION (ANGLE)**

FTV SIZE	PART NUMBER
2½"	570225-486
3"	570225-487
4"	570225-488
5"	570225-498
6"	570225-490
8"	N/A
10"	N/A
12"	N/A

**FLANGES 125/150**

FTV SIZE	PART NUMBER
2½"	570204-030
3"	570206-030
4"	570208-030
5"	570210-030
6"	570212-030
8"	570214-030
10"	570228-030
12"	570230-030

**FLANGES 250/300**

<b>FTV SIZE</b>	<b>PART NUMBER</b>
2½"	570205-030
3"	570207-030
4"	570209-030
5"	570211-030
6"	570213-030
8"	570215-030
10"	570229-030
12"	570231-030

**FLANGE GASKET**

<b>FTV SIZE</b>	<b>PART NUMBER</b>
2½"	570218-002
3"	570218-003
4"	570218-004
5"	570218-005
6"	570218-006
8"	570218-008
10"	570218-010
12"	570218-012

**LUBRICATION TUBE**

<b>FTV SIZE</b>	<b>PART NUMBER</b>
ALL	999003-011

**TORONTO**

23 BERTRAND AVENUE  
TORONTO, ONTARIO  
CANADA, M1L 2P3  
+1 416 755 2291

**BUFFALO**

93 EAST AVENUE  
NORTH TONAWANDA, NEW YORK  
U.S.A., 14120-6594  
+1 716 693 8813

**BIRMINGHAM**

HEYWOOD WHARF, MUCKLOW HILL  
HALESOWEN, WEST MIDLANDS  
UNITED KINGDOM, B62 8DJ  
+44 8444 145 145

**MANCHESTER**

WOLVERTON STREET  
MANCHESTER  
UNITED KINGDOM, M11 2ET  
+44 8444 145 145

**BANGALORE**

#59, FIRST FLOOR, 3RD MAIN  
MARGOSA ROAD, MALLESWARAM  
BANGALORE, INDIA, 560 003  
+91 80 4906 3555

**SHANGHAI**

UNIT 903, 888 NORTH SICHUAN RD.  
HONGKOU DISTRICT, SHANGHAI  
CHINA, 200085  
+86 21 5237 0909

**SÃO PAULO**

RUA JOSÉ SEMIÃO RODRIGUES AGOSTINHO,  
1370 GALPÃO 6 EMBU DAS ARTES  
SAO PAULO, BRAZIL  
+55 11 4785 1330

**LYON**

93 RUE DE LA VILLETTE  
LYON, 69003 FRANCE  
+33 4 26 83 78 74

**DUBAI**

JAFZA VIEW 19, OFFICE 402  
P.O.BOX 18226 JAFZA,  
DUBAI - UNITED ARAB EMIRATES  
+971 4 887 6775

**MANNHEIM**

DYNAMOSTRASSE 13  
68165 MANNHEIM  
GERMANY  
+49 621 3999 9858

ARMSTRONG FLUID TECHNOLOGY  
ESTABLISHED 1934

ARMSTRONGFLUIDTECHNOLOGY.COM