

Suction Guide

Model SG, SG-TF,
SGH-TF, SGG and SGHH,

Parts list

File No: 6035.100

Date: JANUARY 30, 2021

Supersedes: 6035.100, 6035.101, 6035.201

Date: APRIL 05, 2017

—

—

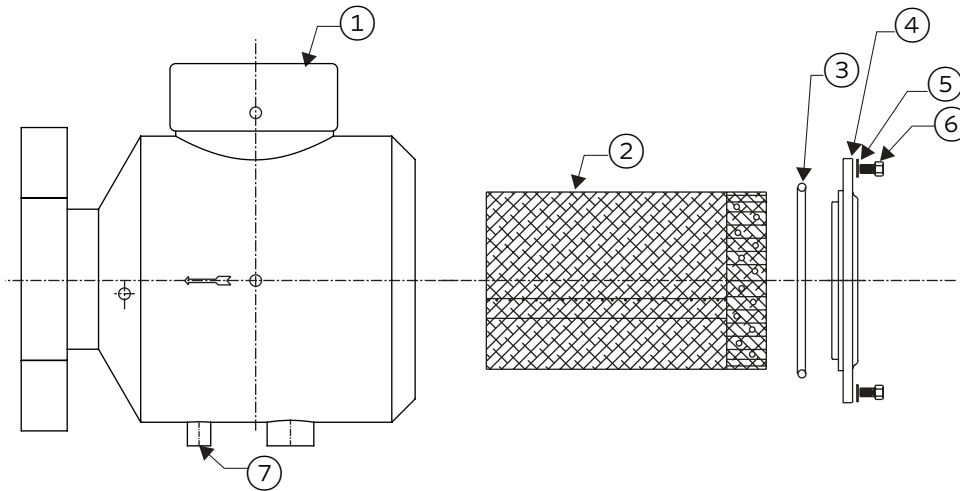
—

—

CONTENTS

1.0	SG MODELS	4
2.0	SGG MODELS	10
3.0	SGHH MODELS	13

1.0 SG MODELS



PART NUMBERS

ITEM NO.	PART DESCRIPTION	MODEL					
		SG-1515TF	SG-215TF	SG-22TF	SGH-1515TF	SGH-215TF	SGH-22TF
①	Body (See notes)	516840-252	516840-262	516840-272	516840-253	516840-263	516840-273
②	Strainer assembly	516896-000	516896-000	516896-000	516896-000	516896-000	516896-000
③	O-RING - EDPM, 3.3591.D.x.139CS	AS1270-237	AS1270-237	AS1270-237	AS1270-237	AS1270-237	AS1270-237
④	Cover	516885-231	516885-231	516885-231	516885-231	516885-231	516885-231
⑤	Washer - STL ½" plain (SAE)	927117-100	927117-100	927117-100	927117-100	927117-100	927117-100
⑥	Hex head cap screw - ½"-13 × 7/8"	911125-107	911125-107	911125-107	911125-107	911125-107	911125-107
⑦	Pipe plug - ½" NPT SQ HD	939021-203	939021-203	939021-203	939021-203	939021-203	939021-203

NOTES:

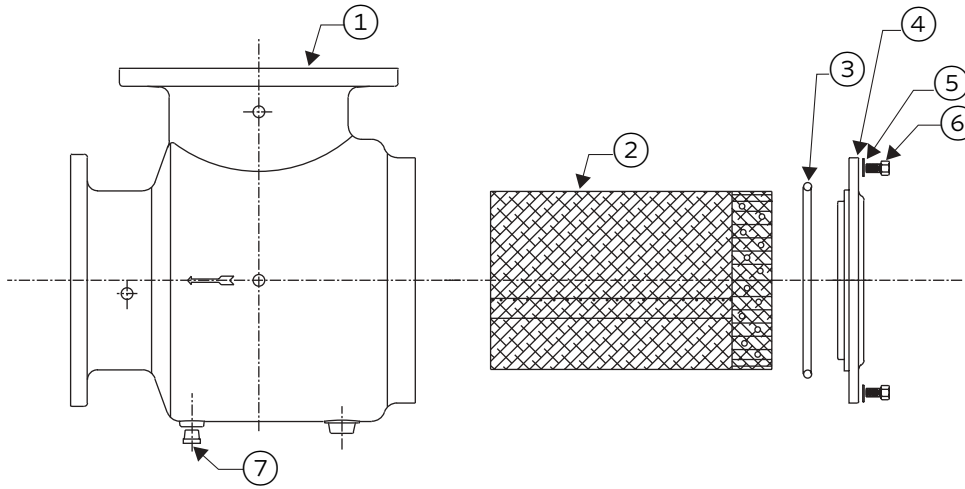
Body is not available as a replacement part.

Strainer assembly includes permanent and fine-mesh start-up strainers.

Permanent strainer perforation hole size - 0.125" / 3mm dia.

Start-up strainer must be removed immediately system is strained (24 hrs max).

Support pipe is not furnished and is not a replacement part - Use properly sized unthreaded steel pipe.



PART NUMBERS

ITEM NO.	PART DESCRIPTION	MODEL				
		SG-22	SG-252	SG-32	SG-2525	SG-325
①	Body (See notes)	516840-211	516841-211	516842-211	516843-211	516844-211
②	Strainer assembly	516896-000	516896-000	516896-000	516896-000	516896-000
③	O-RING - EDPM, 3.3591.D.x.139CS	AS1270-237	AS1270-237	AS1270-237	AS1270-237	AS1270-237
④	Cover	516885-231	516885-231	516885-231	516885-231	516885-231
⑤	Washer - STL ½" plain (SAE)	927117-100	927117-100	927117-100	927117-100	927117-100
⑥	Hex head cap screw - ½"-13 x ⅞"	911125-107	911125-107	911125-107	911125-107	911125-107
⑦	Pipe plug - ½" NPT SQ HD	939021-203	939021-203	939021-203	939021-203	939021-203

ITEM NO.	PART DESCRIPTION	MODEL			
		SG-33	SG-43	SGHH-33	SGHH-43
①	Body (See notes)	516845-211	516846-211	516845-231	516846-231
②	Strainer assembly	516897-000	516897-000	516897-000	516897-000
③	O-RING - EDPM, 4.1091.D.x.139CS	AS1270-243	AS1270-243	AS1270-243	AS1270-243
④	Cover	516886-231	516886-231	516886-231	516886-231
⑤	Washer - STL ⅝" plain (SAE)	927121-100	927121-100	927121-100	927121-100
⑥	Hex head cap screw - ⅝"-11 x 1"	911129-108	911129-108	911129-108	911129-108
⑦	Pipe plug - ¾" NPT SQ HD	939021-204	939021-204	939021-204	939021-204

NOTES:

- Body is not available as a replacement part.
- Strainer assembly includes permanent and fine-mesh start-up strainers.
- Permanent strainer perforation hole size - 0.125" / 3mm dia..
- Start-up strainer must be removed immediately system is strained (24 hrs max).
- Support pipe is not furnished and is not a replacement part - Use properly sized unthreaded steel pipe.

Suction Guide parts
Model SG, SG, SGHH, SG-TF and SGH-TF

PARTS LIST

6

ITEM NO.	PART DESCRIPTION	MODEL		
		SG-44	SG-54	SG-64
①	Body (See notes)	516847-211	516848-211	516849-211
②	Strainer assembly	516854-000	516854-000	516854-000
③	O-RING - EDPM, 4.9841.D.x.139CS	AS1270-250	AS1270-250	AS1270-250
④	Cover	516887-231	516887-231	516887-231
⑤	Washer - STL 5/8" plain (SAE)	927121-100	927121-100	927121-100
⑥	Hex head cap screw - 5/8"-11 x 1"	911129-108	911129-108	911129-108
⑦	Pipe plug - 3/4" NPT SQ HD	939021-204	939021-204	939021-204

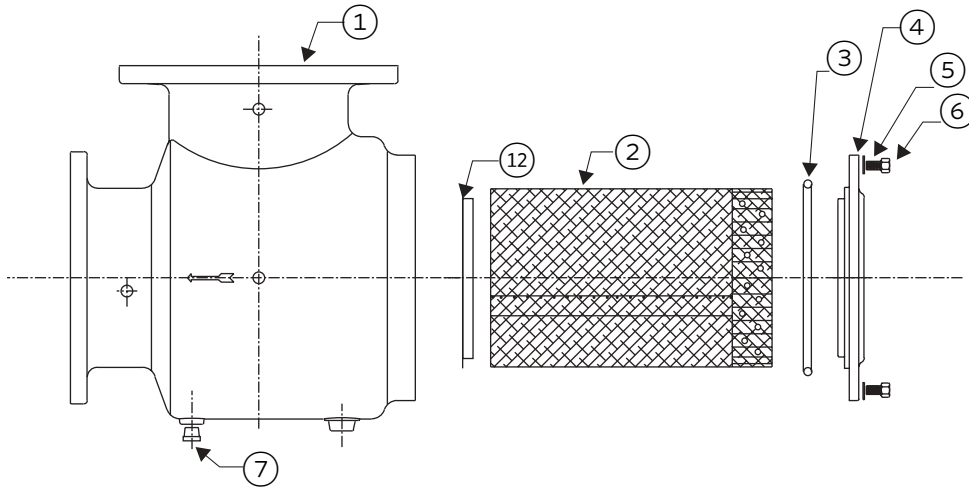
ITEM NO.	PART DESCRIPTION	MODEL	
		SG-55	SG-65
①	Body (See notes)	516850-211	516851-211
②	Strainer assembly	516898-000	516898-000
③	O-RING - EDPM, 6.2341.D.x.139CS	AS1270-259	AS1270-259
④	Cover	516888-231	516888-231
⑤	Washer - STL 3/4" plain (SAE)	927123-100	927123-100
⑥	Hex head cap screw - 3/4"-10 x 1.25"	911131-110	911131-110
⑦	Pipe plug - 1" NPT SQ HD	939021-505	939021-505

ITEM NO.	PART DESCRIPTION	MODEL	
		SG-66	SG-86
①	Body (See notes)	516852-211	516853-211
②	Strainer assembly	516899-000	516899-000
③	O-RING - EDPM, 7.4841.D.x.139CS	AS1270-264	AS1270-264
④	Cover	516889-231	516889-231
⑤	Washer - STL 3/4" plain (SAE)	927123-100	927123-100
⑥	Hex head cap screw - 3/4"-10 x 1.25"	911131-110	911131-110
⑦	Pipe plug - 1" NPT SQ HD	939021-505	939021-505

ITEM NO.	PART DESCRIPTION	MODEL	
		SG-88	SG-108
①	Body (See notes)	516854-211	516855-211
②	Strainer assembly	516900-000	516900-000
③	O-RING - EDPM, 9.475.D.x.210CS	AS1270-375	AS1270-375
④	Cover	516890-231	516890-231
⑤	Washer - STL 3/4" plain (SAE)	927123-100	927123-100
⑥	Hex head cap screw - 3/4"-10 x 1.75"	911131-114	911131-114
⑦	Pipe plug - 1" NPT SQ HD	939021-505	939021-505

NOTES:

Body is not available as a replacement part.
Strainer assembly includes permanent and fine-mesh start-up strainers.
Permanent strainer perforation hole size - 0.125" / 3mm dia.
Start-up strainer must be removed immediately system is strained (24 hrs max).
Support pipe is not furnished and is not a replacement part
- Use properly sized unthreaded steel pipe.



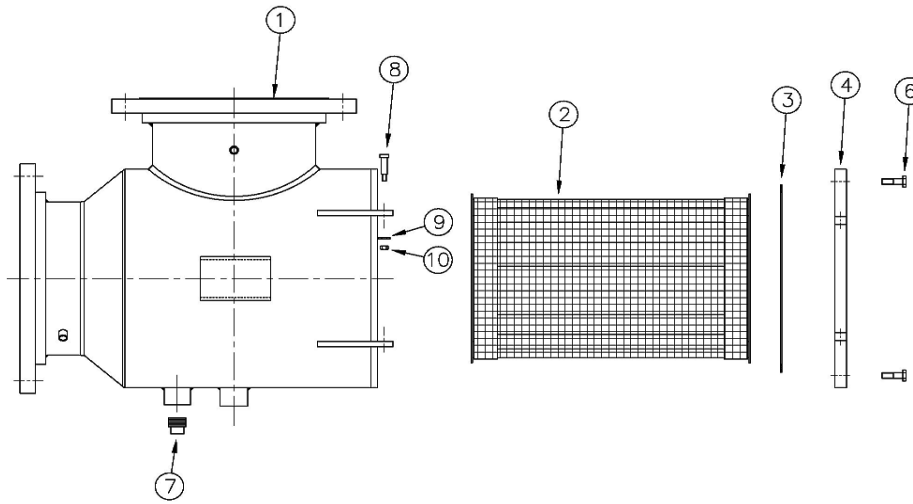
PART NUMBERS

ITEM NO.	PART DESCRIPTION	MODEL	
		SG-1010	SG-1210
①	Body (See notes)	516856-211	516857-211
②	Strainer assembly	516860-000	516860-000
③	O-RING - EDPM, 11.475.D.X.210CS	AS1270-380	AS1270-380
④	Cover	516891-231	516891-231
⑤	Washer - STL 1" plain (SAE)	927127-100	927127-100
⑥	Hex head cap screw - 1" - 8 x 2.25"	911135-118	911135-118
⑦	Pipe plug - 1" NPT SQ HD	939021-505	939021-505
⑫	Roundup ring	516914-001	516914-001

ITEM NO.	PART DESCRIPTION	MODEL	
		SG-1212	SG-1412
①	Body (See notes)	516858-211	516859-211
②	Strainer assembly	516970-000	516970-000
③	O-RING - EDPM, 12.975.D.X.210CS	AS1270-382	AS1270-382
④	Cover	516892-231	516892-231
⑤	Washer - STL 1" plain (SAE)	927127-100	927127-100
⑥	Hex head cap screw - 1" - 8 x 2.25"	911135-118	911135-118
⑦	Pipe plug - 1" NPT SQ HD	939021-505	939021-505
⑫	Roundup ring	516971-001	516971-001

NOTES:

- Body is not available as a replacement part.
- Strainer assembly includes permanent and fine-mesh start-up strainers.
- Permanent strainer perforation hole size - 0.125" / 3mm dia..
- Start-up strainer must be removed immediately system is strained (24 hrs max).
- Support pipe is not furnished and is not a replacement part - Use properly sized unthreaded steel pipe.



PART NUMBERS - FABRICATED STEEL

ITEM NO.	PART DESCRIPTION	MODEL		
		SG-1414	SG-1614	SG-1814
①	Body (See notes)	N/A	N/A	N/A
②	Strainer assembly	516862-116	516862-116	516862-116
③	Gasket	516862-114	516862-114	516862-114
④	Cover assembly	N/A	N/A	N/A
⑥	Hex head cap screw - ½" - 13 × 1¾"	911125-314	911125-314	911125-314
⑦	Pipe plug - 1½" NPT SQ HD	933105-007	933105-007	933105-007
⑧	Hinge pin shoulder bolt - ½" × 1½"	516862-104	516862-104	516862-104
⑨	Washer - STL. ⅜" plain	927114-100	927114-100	927114-100
⑩	Hex nut - ⅜" - 16	913121-100	913121-100	913121-100

ITEM NO.	PART DESCRIPTION	MODEL	
		SG-1616	SG-1816
①	Body (See notes)	N/A	N/A
②	Strainer assembly	516862-126	516862-126
③	Gasket	691300-008	691300-008
④	Cover assembly	N/A	N/A
⑥	Hex head cap screw - ⅝" - 11 × 2¼"	911129-318	911129-318
⑦	Pipe plug - 1½" NPT SQ HD	933105-007	933105-007
⑧	Hinge pin shoulder bolt - ½" × 1½"	516862-104	516862-104
⑨	Washer - STL. ⅜" plain	927114-100	927114-100
⑩	Hex nut - ⅜" - 16	913121-100	913121-100

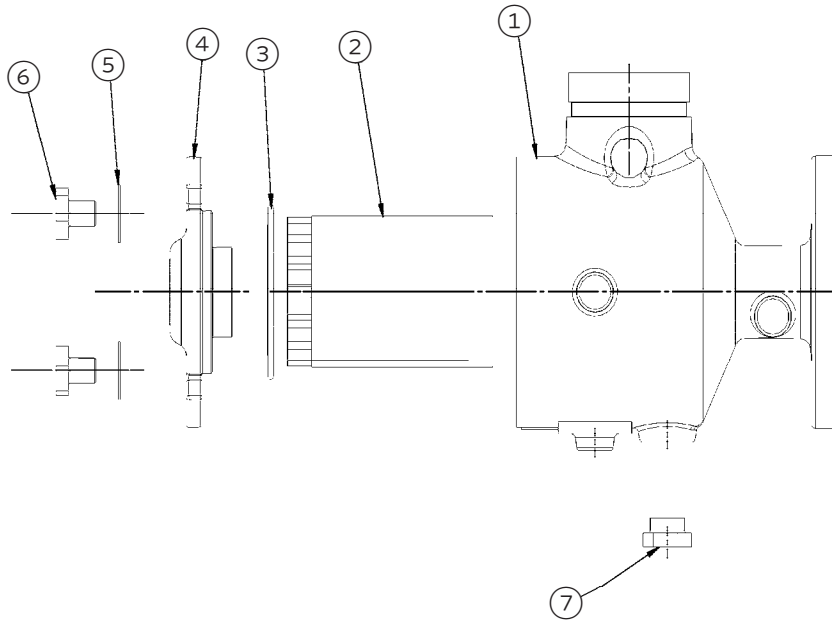
NOTES:

- Body is not available as a replacement part.
- Strainer assembly includes permanent and fine-mesh start-up strainers.
- Permanent strainer perforation hole size - 0.125" / 3mm dia.
- Start-up strainer must be removed immediately system is strained (24 hrs max).
- Support pipe is not furnished and is not a replacement part
- Use properly sized unthreaded steel pipe.

ITEM NO.	PART DESCRIPTION	MODEL	
		SG-2020	SG-2420
①	Body (See notes)	N/A	N/A
②	Strainer assembly	516862-136	516862-136
③	Gasket	691300-010	691300-010
④	Cover assembly	N/A	N/A
⑥	Hex head cap screw - 5/8" - 11 x 2 1/2"	911129-320	911129-320
⑦	Pipe plug - 2" NPT SQ HD	933105-008	933105-008
⑧	Hinge pin shoulder bolt - 1/2" x 1 1/2"	516862-104	516862-104
⑨	Washer - STL. 3/8" plain	927114-100	927114-100
⑩	Hex nut - 3/8" - 16	913121-100	913121-100

NOTES:

- Body is not available as a replacement part.
- Strainer assembly includes permanent and fine-mesh start-up strainers.
- Permanent strainer perforation hole size - 0.125" / 3mm dia.
- Start-up strainer must be removed immediately system is strained (24 hrs max).
- Support pipe is not furnished and is not a replacement part - Use properly sized unthreaded steel pipe.

2.0 SGG MODELS**PART NUMBERS**

ITEM NO.	PART DESCRIPTION	MODEL					
		SGG-22	SGG-252	SGG-32	SGG-252	SGG-2525	SGG-325
①	Body (See notes)	546840-211	546841-211	546842-211	546841-211	546843-211	526844-211
②	Strainer assembly	516896-000	516896-000	516896-000	516896-000	516896-000	516896-000
③	O-RING - EDPM, 3.3591.D.x.139CS	AS1270-237	AS1270-237	AS1270-237	AS1270-237	AS1270-237	AS1270-237
④	Cover	516885-231	516885-231	516885-231	516885-231	516885-231	516885-231
⑤	Washer - STL ½" plain (SAE)	927117-100	927117-100	927117-100	927117-100	927117-100	927117-100
⑥	Hex head cap screw - ½"-13 x 7/8"	911125-107	911125-107	911125-107	911125-107	911125-107	911125-107
⑦	Pipe plug - ½" NPT SQ HD	939021-203	939021-203	939021-203	939021-203	939021-203	939021-203

ITEM NO.	PART DESCRIPTION	MODEL	
		SGG-33	SGG-43
①	Body (See notes)	546845-211	546846-211
②	Strainer assembly	516897-000	516897-000
③	O-RING - EDPM, 4.1091.D.x.139CS	AS1270-243	AS1270-243
④	Cover	516886-231	516886-231
⑤	Washer - STL 5/8" plain (SAE)	927121-100	927121-100
⑥	Hex head cap screw - 5/8"-11 x 1"	911129-108	911129-108
⑦	Pipe plug - 3/4" NPT SQ HD	939021-204	939021-204

NOTES:

- Body is not available as a replacement part.
- Strainer assembly includes permanent and fine-mesh start-up strainers.
- Permanent strainer perforation hole size - 0.125" / 3mm dia.
- Start-up strainer must be removed immediately system is strained (24 hrs max).
- Support pipe is not furnished and is not a replacement part
- Use properly sized unthreaded steel pipe.

ITEM NO.	PART DESCRIPTION	MODEL		
		SGG-44	SGG-54	SGG-64
①	Body (See notes)	546847-211	546848-211	546849-211
②	Strainer assembly	516854-000	516854-000	516854-000
③	O-RING - EDPM, 4.9841.D.x.139CS	AS1270-250	AS1270-250	AS1270-250
④	Cover	516887-231	516887-231	516887-231
⑤	Washer - STL 5/8" plain (SAE)	927121-100	927121-100	927121-100
⑥	Hex head cap screw - 5/8"-11 x 1"	911129-108	911129-108	911129-108
⑦	Pipe plug - 3/4" NPT SQ HD	939021-204	939021-204	939021-204

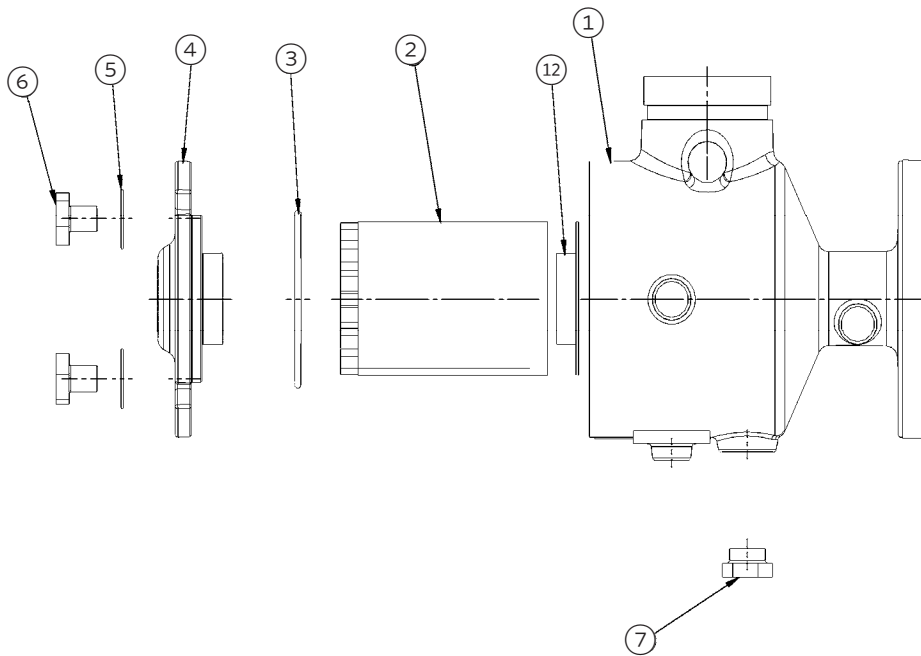
ITEM NO.	PART DESCRIPTION	MODEL	
		SGG-55	SGG-65
①	Body (See notes)	546850-211	546851-211
②	Strainer assembly	516898-000	516898-000
③	O-RING - EDPM, 6.2341.D.x.139CS	AS1270-259	AS1270-259
④	Cover	516888-231	516888-231
⑤	Washer - STL 3/4" plain (SAE)	927123-100	927123-100
⑥	Hex head cap screw - 3/4"-10 x 1.25"	911131-110	911131-110
⑦	Pipe plug - 1" NPT SQ HD	939021-505	939021-505

ITEM NO.	PART DESCRIPTION	MODEL	
		SGG-66	SGG-86
①	Body (See notes)	546852-211	546853-211
②	Strainer assembly	516899-000	516899-000
③	O-RING - EDPM, 7.4841.D.x.139CS	AS1270-264	AS1270-264
④	Cover	516889-231	516889-231
⑤	Washer - STL 3/4" plain (SAE)	927123-100	927123-100
⑥	Hex head cap screw - 3/4"-10 x 1.25"	911131-110	911131-110
⑦	Pipe plug - 1" NPT SQ HD	939021-505	939021-505

ITEM NO.	PART DESCRIPTION	MODEL	
		SGG-88	SG-108
①	Body (See notes)	546854-211	546855-211
②	Strainer assembly	516900-000	516900-000
③	O-RING - EDPM, 9.475.D.x.210CS	AS1270-375	AS1270-375
④	Cover	516890-231	516890-231
⑤	Washer - STL 3/4" plain (SAE)	927123-100	927123-100
⑥	Hex head cap screw - 3/4"-10 x 1.75"	911131-114	911131-114
⑦	Pipe plug - 1" NPT SQ HD	939021-505	939021-505

NOTES:

Body is not available as a replacement part.
 Strainer assembly includes permanent and fine-mesh start-up strainers.
 Permanent strainer perforation hole size - 0.125" / 3mm dia.
 Start-up strainer must be removed immediately system is strained (24 hrs max).
 Support pipe is not furnished and is not a replacement part
 - Use properly sized unthreaded steel pipe.



PART NUMBERS

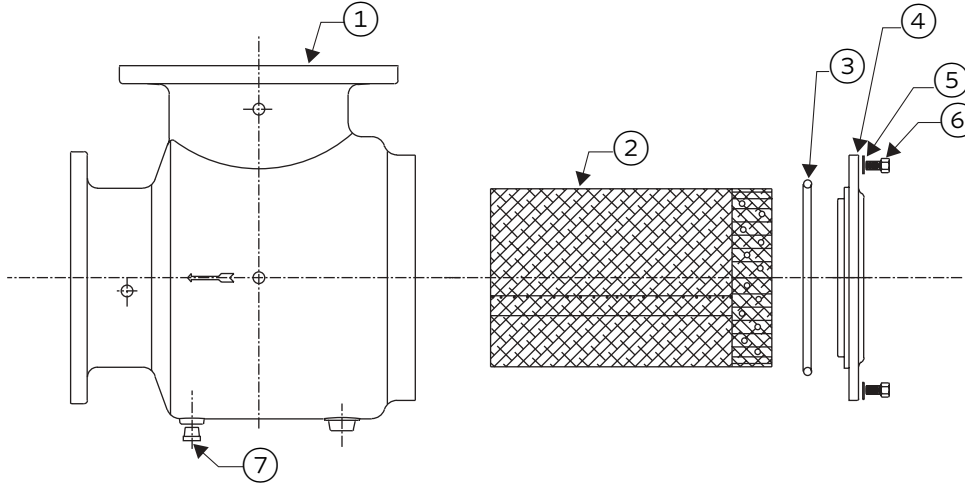
ITEM NO.	PART DESCRIPTION	MODEL	
		SGG-1010	SGG-1210
①	Body (See notes)	546856-211	546857-211
②	Strainer assembly	516860-000	516860-000
③	O-RING - EDPM, 11.475.D. x .210CS	AS1270-380	AS1270-380
④	Cover	516891-231	516891-231
⑤	Washer - STL 1" plain (SAE)	927127-100	927127-100
⑥	Hex head cap screw - 1" - 8 x 2.25"	911135-118	911135-118
⑦	Pipe plug - 1" NPT SQ HD	939021-505	939021-505
⑫	Roundup ring	516914-001	516914-001

ITEM NO.	PART DESCRIPTION	MODEL	
		SGG-1212	SGG-1412
①	Body (See notes)	546858-211	546859-211
②	Strainer assembly	516970-000	516970-000
③	O-RING - EDPM, 12.975.D. x .210CS	AS1270-382	AS1270-382
④	Cover	516892-231	516892-231
⑤	Washer - STL 1" plain (SAE)	927127-100	927127-100
⑥	Hex head cap screw - 1" - 8 x 2.25"	911135-118	911135-118
⑦	Pipe plug - 1" NPT SQ HD	939021-505	939021-505
⑫	Roundup ring	516971-001	516971-001

NOTES:

- Body is not available as a replacement part.
- Strainer assembly includes permanent and fine-mesh start-up strainers.
- Permanent strainer perforation hole size - 0.125" / 3mm dia.
- Start-up strainer must be removed immediately system is strained (24 hrs max).
- Support pipe is not furnished and is not a replacement part
- Use properly sized unthreaded steel pipe.

3.0 SGHH MODELS



PART NUMBERS

ITEM NO.	PART DESCRIPTION	MODEL				
		SGHH-22	SGHH-252	SGHH-32	SGHH-2525	SGHH-325
①	Body (See notes)	516840-231	516841-231	516842-231	516843-231	516844-231
②	Strainer assembly	516896-000	516896-000	516896-000	516896-000	516896-000
③	O-RING - EDPM, 3.3591.D.x.139CS	AS1270-237	AS1270-237	AS1270-237	AS1270-237	AS1270-237
④	Cover	516885-231	516885-231	516885-231	516885-231	516885-231
⑤	Washer - STL ½" plain (SAE)	927117-100	927117-100	927117-100	927117-100	927117-100
⑥	Hex head cap screw - ½"-13 x ⅞"	911125-107	911125-107	911125-107	911125-107	911125-107
⑦	Pipe plug - ½" NPT SQ HD	939021-203	939021-203	939021-203	939021-203	939021-203

ITEM NO.	PART DESCRIPTION	MODEL	
		SGHH-33	SGHH-43
①	Body (See notes)	516845-231	516846-231
②	Strainer assembly	516897-000	516897-000
③	O-RING - EDPM, 4.1091.D.x.139CS	AS1270-243	AS1270-243
④	Cover	516886-231	516886-231
⑤	Washer - STL ⅝" plain (SAE)	927121-100	927121-100
⑥	Hex head cap screw - ⅝"-11 x 1"	911129-108	911129-108
⑦	Pipe plug - ¾" NPT SQ HD	939021-204	939021-204

NOTES:

- Body is not available as a replacement part.
- Strainer assembly includes permanent and fine-mesh start-up strainers.
- Permanent strainer perforation hole size - 0.125" / 3mm dia..
- Start-up strainer must be removed immediately system is strained (24 hrs max).
- Support pipe is not furnished and is not a replacement part - Use properly sized unthreaded steel pipe.

Suction Guide parts
Model SG, SG, SGHH, SG-TF and SGH-TF

PARTS LIST

14

ITEM NO.	PART DESCRIPTION	MODEL		
		SGHH-44	SGHH-54	SGHH-64
①	Body (See notes)	516847-231	516848-231	516849-231
②	Strainer assembly	516854-000	516854-000	516854-000
③	O-RING - EDPM, 4.9841.D.x.139CS	AS1270-250	AS1270-250	AS1270-250
④	Cover	516887-231	516887-231	516887-231
⑤	Washer - STL 5/8" plain (SAE)	927121-100	927121-100	927121-100
⑥	Hex head cap screw - 5/8"-11 x 1"	911129-108	911129-108	911129-108
⑦	Pipe plug - 3/4" NPT SQ HD	939021-204	939021-204	939021-204

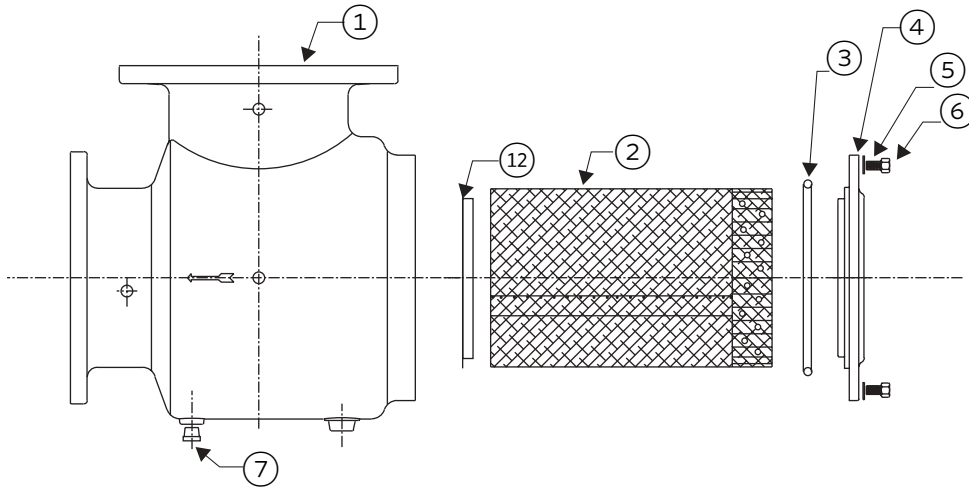
ITEM NO.	PART DESCRIPTION	MODEL	
		SGHH-55	SGHH-65
①	Body (See notes)	516850-231	516851-231
②	Strainer assembly	516898-000	516898-000
③	O-RING - EDPM, 6.2341.D.x.139CS	AS1270-259	AS1270-259
④	Cover	516888-231	516888-231
⑤	Washer - STL 3/4" plain (SAE)	927123-100	927123-100
⑥	Hex head cap screw - 3/4"-10 x 1.25"	911131-110	911131-110
⑦	Pipe plug - 1" NPT SQ HD	939021-505	939021-505

ITEM NO.	PART DESCRIPTION	MODEL	
		SGHH-66	SGHH-86
①	Body (See notes)	516852-231	516853-231
②	Strainer assembly	516899-000	516899-000
③	O-RING - EDPM, 7.4841.D.x.139CS	AS1270-264	AS1270-264
④	Cover	516889-231	516889-231
⑤	Washer - STL 3/4" plain (SAE)	927123-100	927123-100
⑥	Hex head cap screw - 3/4"-10 x 1.25"	911131-110	911131-110
⑦	Pipe plug - 1" NPT SQ HD	939021-505	939021-505

ITEM NO.	PART DESCRIPTION	MODEL	
		SGHH-88	SGHH-108
①	Body (See notes)	516854-231	516855-231
②	Strainer assembly	516900-000	516900-000
③	O-RING - EDPM, 9.475.D.x.210CS	AS1270-375	AS1270-375
④	Cover	516890-231	516890-231
⑤	Washer - STL 3/4" plain (SAE)	927123-100	927123-100
⑥	Hex head cap screw - 3/4"-10 x 1.75"	911131-114	911131-114
⑦	Pipe plug - 1" NPT SQ HD	939021-505	939021-505

NOTES:

Body is not available as a replacement part.
Strainer assembly includes permanent and fine-mesh start-up strainers.
Permanent strainer perforation hole size - 0.125" / 3mm dia.
Start-up strainer must be removed immediately system is strained (24 hrs max).
Support pipe is not furnished and is not a replacement part
- Use properly sized unthreaded steel pipe.



PART NUMBERS

ITEM NO.	PART DESCRIPTION	MODEL	
		SGHH-1010	SGHH-1210
①	Body (See notes)	516856-231	516856-231
②	Strainer assembly	516860-000	516860-000
③	O-RING - EDPM, 11.475.D.X.210CS	AS1270-380	AS1270-380
④	Cover	516891-231	516891-231
⑤	Washer - STL 1" plain (SAE)	927127-100	927127-100
⑥	Hex head cap screw - 1" - 8 x 2.25"	911135-118	911135-118
⑦	Pipe plug - 1" NPT SQ HD	939021-505	939021-505
⑫	Roundup ring	516914-001	516914-001

ITEM NO.	PART DESCRIPTION	MODEL	
		SGHH-1212	SGHH-1412
①	Body (See notes)	516858-231	516859-231
②	Strainer assembly	516970-000	516970-000
③	O-RING - EDPM, 12.975.D.X.210CS	AS1270-382	AS1270-382
④	Cover	516892-231	516892-231
⑤	Washer - STL 1" plain (SAE)	927127-100	927127-100
⑥	Hex head cap screw - 1" - 8 x 2.25"	911135-118	911135-118
⑦	Pipe plug - 1" NPT SQ HD	939021-505	939021-505
⑫	Roundup ring	516971-001	516971-001

NOTES:

- Body is not available as a replacement part.
- Strainer assembly includes permanent and fine-mesh start-up strainers.
- Permanent strainer perforation hole size - 0.125" / 3mm dia..
- Start-up strainer must be removed immediately system is strained (24 hrs max).
- Support pipe is not furnished and is not a replacement part - Use properly sized unthreaded steel pipe.

TORONTO

23 BERTRAND AVENUE
TORONTO, ONTARIO
CANADA, M1L 2P3
+1 416 755 2291

BUFFALO

93 EAST AVENUE
NORTH TONAWANDA, NEW YORK
U.S.A., 14120-6594
+1 716 693 8813

BIRMINGHAM

HEYWOOD WHARF, MUCKLOW HILL
HALESOWEN, WEST MIDLANDS
UNITED KINGDOM, B62 8DJ
+44 8444 145 145

MANCHESTER

WOLVERTON STREET
MANCHESTER
UNITED KINGDOM, M11 2ET
+44 8444 145 145

BANGALORE

#59, FIRST FLOOR, 3RD MAIN
MARGOSA ROAD, MALLESWARAM
BANGALORE, INDIA, 560 003
+91 80 4906 3555

SHANGHAI

UNIT 903, 888 NORTH SICHUAN RD.
HONGKOU DISTRICT, SHANGHAI
CHINA, 200085
+86 21 5237 0909

SÃO PAULO

RUA JOSÉ SEMIÃO RODRIGUES AGOSTINHO,
1370 GALPÃO 6 EMBU DAS ARTES
SAO PAULO, BRAZIL
+55 11 4785 1330

LYON

93 RUE DE LA VILLETTE
LYON, 69003 FRANCE
+33 4 26 83 78 74

DUBAI

JAFZA VIEW 19, OFFICE 402
P.O.BOX 18226 JAFZA,
DUBAI - UNITED ARAB EMIRATES
+971 4 887 6775

MANNHEIM

DYNAMOSTRASSE 13
68165 MANNHEIM
GERMANY
+49 621 3999 9858