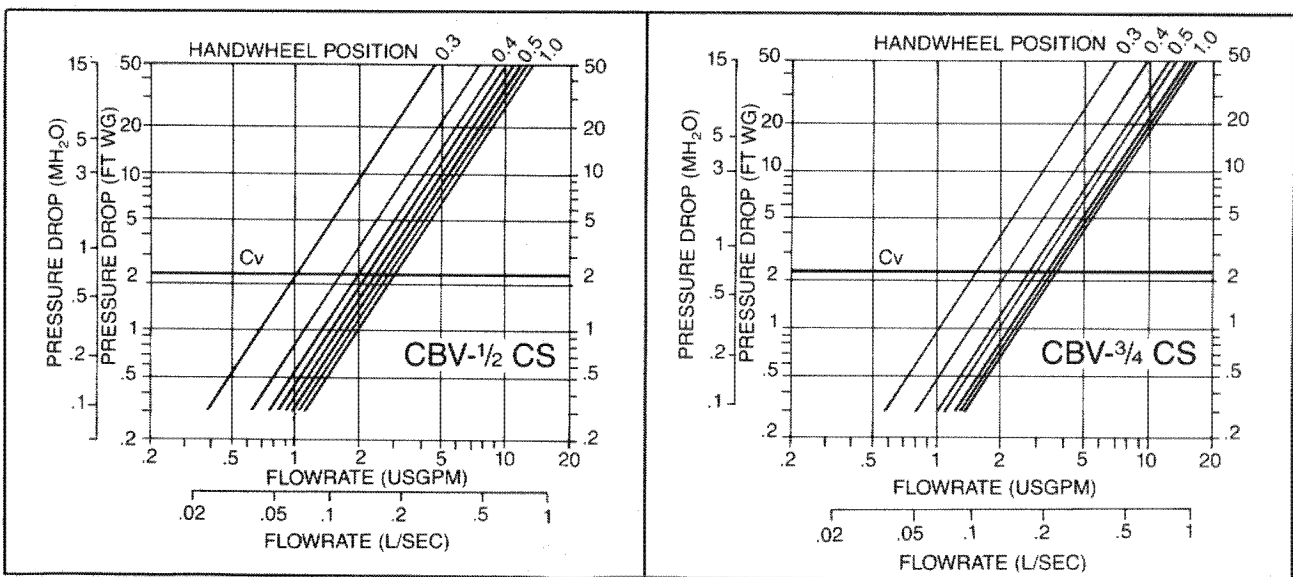
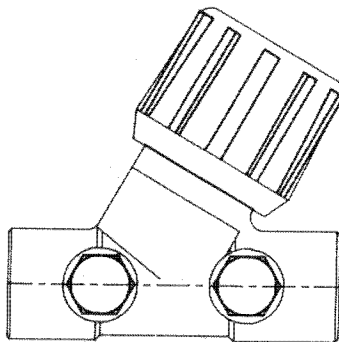


INSTALLATION AND OPERATING INSTRUCTIONS

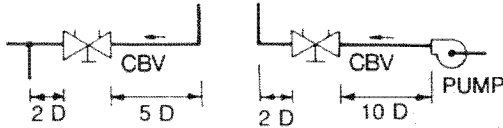
ARMSTRONG

Compact Sweat Circuit Balancing Valves



INSTALLATION:

1. Remove the bonnet from the valve body.
2. To ensure accuracy of measurement, this CBV should be located at least five pipe diameters downstream from any fitting and at least ten pipe diameters downstream of any pump. Two pipe diameters downstream of the CBV should be free of any fitting (as illustrated.)



3. CBV valves must be installed for flow in the direction of the arrow on the valve body and to allow easy access to the metering ports and handwheel. **NOTE: We recommend that the valve be installed in such a way that the meter connections be above or on the side of the valve body. (Not below or at 6:00 o'clock.)**

4. Solder the valve body to the pipe using 95/5-type solder or equal. **Warning: The valve body must be soldered into the line with the bonnet and metering ports removed.**

5. Assemble the metering ports using a thread sealant.

6. Assemble the bonnet with the stem in the open position on the valve body, making sure the body-to-bonnet gasket is in position.

7. Close the valve, turning clockwise until it stops. Use the handwheel to turn the last 1/10 of a turn so that the valve is completely closed.

WARNING

THE VALVE BODY
MUST BE SOLDERED
INTO THE LINE WITH
THE BONNET AND
METERING PORTS
REMOVED.

8. Assemble the handwheel to the valve with the .0 set point aligned with the stop on the valve body. Use the flat side opposite the metering ports and tighten handwheel screw.

OPERATION:

1. Using a differential pressure meter and Armstrong C_v Curves or circular slide rule, adjust the valve to the desired flow.

2. To set the valve memory, remove the handwheel without changing the valve setting and reinstall the handwheel with the memory arrow aligned with the stop on the valve body. The valve may now be shut off and reopened to the balance set point.

3. To lock the valve into position after the valve has been adjusted, remove the handwheel without changing the valve setting. Reinstall the handwheel with the two stops inside the handwheel, straddling the stop on the valve body.

S.A. Armstrong Limited
23 Bertrand Avenue
Toronto, Ontario
Canada, M1L 2P3
Tel: (416) 755-2291
Fax: (416) 759-9101

Armstrong Pumps Limited
Peartree Road, Stanway
Colchester, Essex
United Kingdom, C03 5JX
Tel: 01206-579491
Fax: 01206-760532



Armstrong Pumps Inc.
93 East Avenue
Buffalo, New York
U.S.A. 14120-6594
Tel: (716) 693-8813
Fax: (716) 693-8970

Armstrong Darling Inc.
2200 Place Transcanadienne
Montreal, Quebec
Canada, H9P 2X5
Tel: (514) 421-2424
Fax: (514) 421-2436