



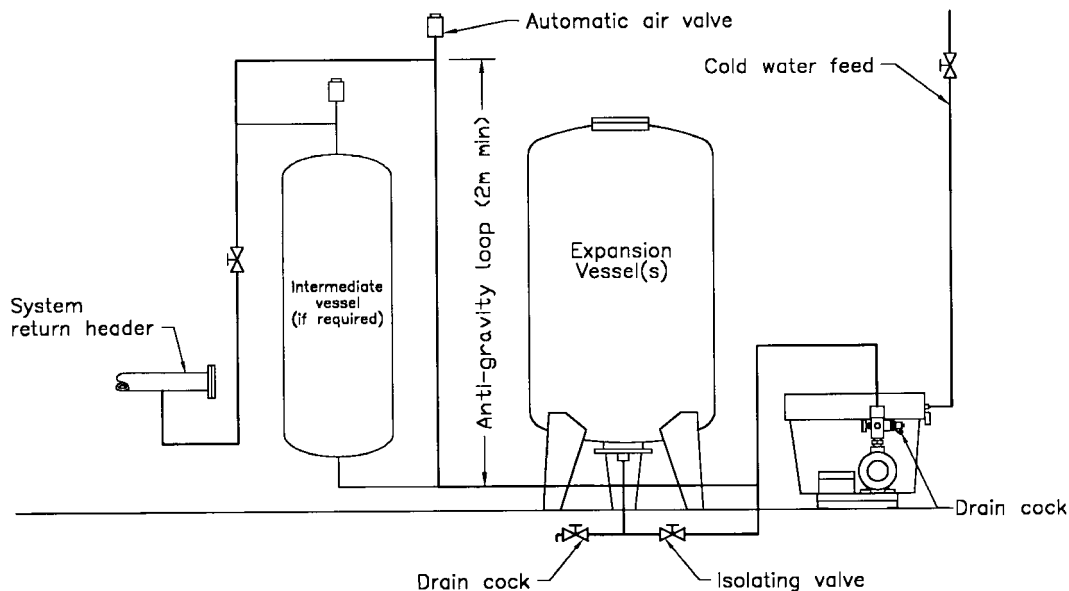
Installation Instructions Models SPU502 and SPU503



ESSENTIAL SAFETY REQUIREMENTS

- 1) Locate units in a well ventilated environment and ensure that ventilation fans and apertures are not obstructed.
- 2) Check the supply voltage and overload protection is correct.
- 3) An isolator should be fitted to the incoming supply to the unit.
- 4) Electrical installation should be performed by a competent electrician.
- 5) Guards and covers must not be removed during operation.

Install the unit as indicated in the diagram below.



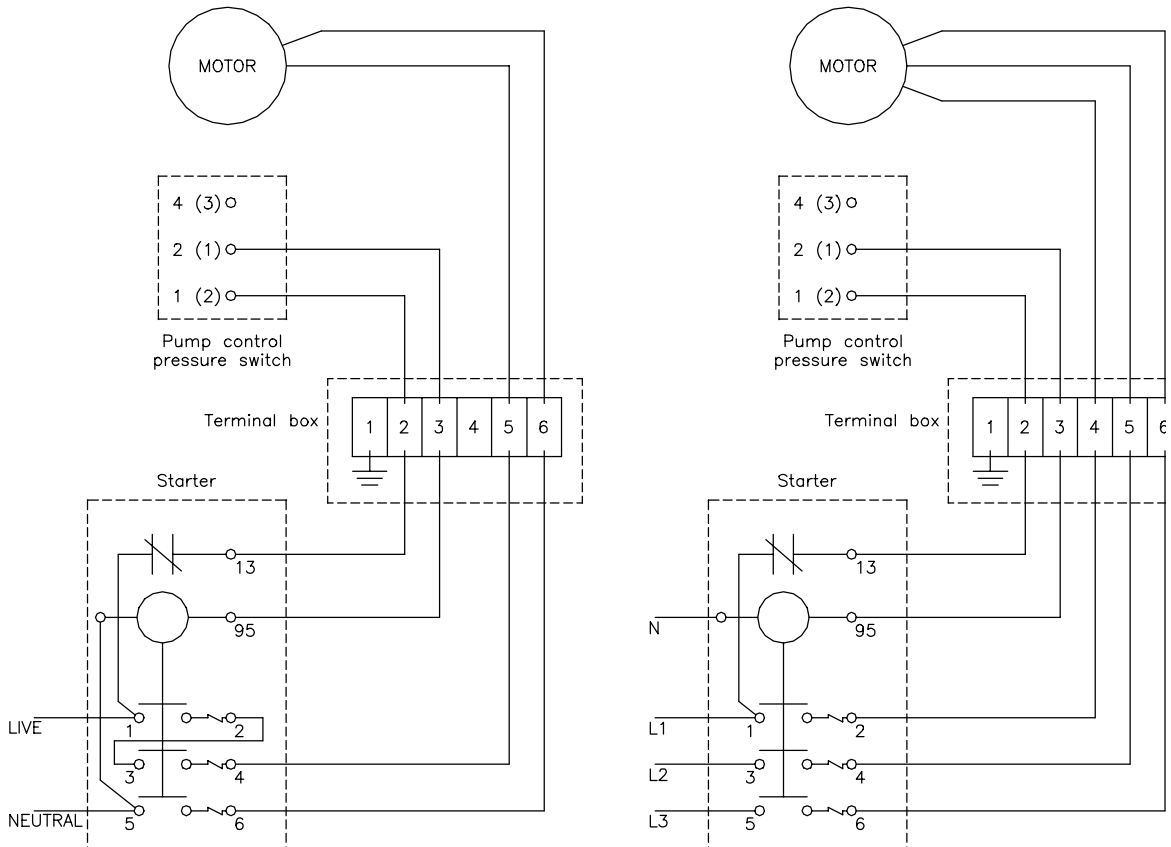
NOTES:

- 1) An isolating valve should be fitted to the discharge of the unit.
- 2) The pipework from the system to the expansion vessels should not be lagged.
- 3) An anti-gravity loop with a minimum height of 2m (or an intermediate vessel) should be installed to provide thermal protection to the expansion vessels.
- 4) For chilled water systems the connections to the intermediate vessel should be reversed, i.e. bottom to system, and top to expansion vessel
- 5) The ball float valve is fitted with a low pressure seat, a high pressure seat is attached to the float valve and should be fitted if required.
- 6) The pipework to the expansion vessels should be sized according to the size and number of vessels and should be at least the same size as the vessel connection.
- 7) Where multiple expansion vessels are required it is recommended that each vessel be installed with its own isolating valve and drain cock.
- 8) If a finished floor screed is to be applied on completion of all mechanical services, then it is advisable that all floor mounted equipment is mounted on a concrete plinth.
- 9) SPU503 units serve two systems and have two system connections. Each system should be connected as detailed above.

Electrical Connections

Wire the unit up in accordance with the relevant wiring diagram shown below.

Note: These units are not supplied with an integral starter, loose starters are only supplied if specifically ordered. The diagrams below show the connection numbers for the Model 7502 starter as supplied by Armstrong, for other starters please refer to the manufacturer's instructions.



NOTES:

- 1) The supply to this unit should not be interrupted by a time clock or safety cut-out
- 2) For installation and operating instructions on pressure cut out switches please refer to 8-1/OM/11.

S. A. Armstrong Limited
 23 Bertrand Avenue
 Toronto, Ontario
 Canada, M1L 2P3
 T: (416) 755-2291
 F (Main): (416) 759-9101

Armstrong Pumps Inc.
 93 East Avenue
 North Tonawanda, New York
 U.S.A. 14120-6594
 T: (716) 693-8813
 F: (716) 693-8970

Armstrong Holden Brooke Pullen
 Wenlock Way
 Manchester
 United Kingdom, M12 5JL
 T: +44 (0) 161 223 2223
 F: +44 (0) 161 220 9660



© S.A. Armstrong Limited 2006