

# Standard heating circulation pumps, speed step switch (3-step)

HLP series, H4 product group



## TECHNICAL DATA

Rate of flow: up to 7 m<sup>3</sup>/h  
 Pressure head: up to 7 m  
 Media temperature: -10 °C to +110 °C  
 Installation length: 180 mm  
 Threaded connection: 1½" und 2"  
 Protection class: IP 42  
 Insulation class: H  
 Nominal pressure: PN 10  
 Control: 3-step switch with manual speed selection

## PRODUCT FEATURES

- manual start-up feature
- smooth running
- convenient operation
- space-saving axially integrated terminal box
- compact design

## USE

The HLP series circulation pumps are specially designed for heating systems in which large pressure heads and capacities are equally required. These circulation pumps are designed for use in heating systems with variable or constant flow rates. The HLP circulation pumps meet the energy efficiency standard class D.

## MAIN AREAS OF USE

Heating, air-conditioning and industry systems as

- dual pipe system
- boiler/primary circuit
- storage charging circuit

## MATERIALS

Component	Material	Material no.
Pump housing	Grey-cast iron	0.6020
Impeller	Polyamide (PA - GF 35)	
Shaft	Ceramic	
Bearing	Ceramic	
Bearing plate	Stainless steel	1.4301
Can	Stainless steel	1.4301

## FLOW MEDIA

- heating water
- pure, thin, non-aggressive and non-explosive, mineral oil-free media without solid particles or fibres
- media with a max. viscosity of 10 mm<sup>2</sup>/s
- operating data must be checked above 20 % glycol

## TEMPERATURE RANGE

Ambient temperature: 0 °C to +40 °C  
 Temperature class: TF 110  
 Media temperature: -10 °C to +110 °C

## AMBIENT TEMPERATURE

To avoid condensation forming in the terminal box and stator, the media temperature must always be the same or higher than the ambient temperature.

Ambient temp.	Media temp. min.	Media temp. max.
0	2	110
10	10	110
20	20	110
30	30	110
35	35	110
40	40	110

## MOTOR PROTECTION

External motor protection is not required.

## SPEED SWITCHING

Three speed, with manual selector. The respective speed is set via rotary switch integrated in the terminal board.

## MINIMUM INFLOW PRESSURE

Please determine the minimum inflow pressure for corresponding temperature from the following table.

Media temperature	< 85 °C	90 °C	110 °C
Minimum inflow pressure	0.05 bar	0.3 bar	1.10 bar

## SOUND PRESSURE LEVEL

The sound pressure level is < 45 dB (A).

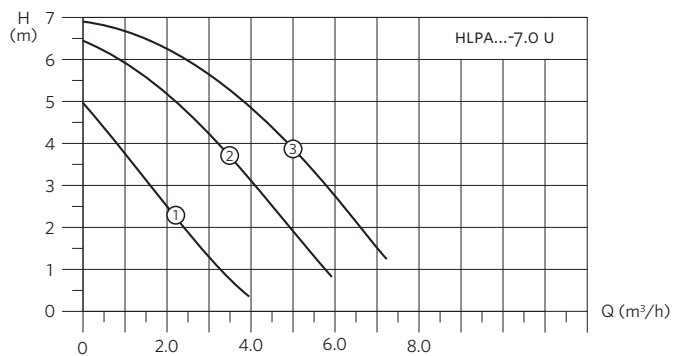
# Standard heating circulation pumps, speed step switch (3-step)

HLP series, H4 product group

## TECHNICAL DATA

TYPE	CONNECTION PIPE	THREADED CONNECTION	INSTALLATION LENGTH (MM)	VOLTAGE / FREQUENCY	P1 (W)	I <sub>MAX</sub> (A)	NET-WEIGHT (KG)	PRODUCT NO.
HLP 25-7.0 U 180	1"	1½"	180	230	95 ...190	0.42 ... 0.85	4.5	0323-63207-71
HLP 30-7.0 U 180	1¼"	2"	180	230	95 ...190	0.42 ... 0.85	4.5	0324-63207-71

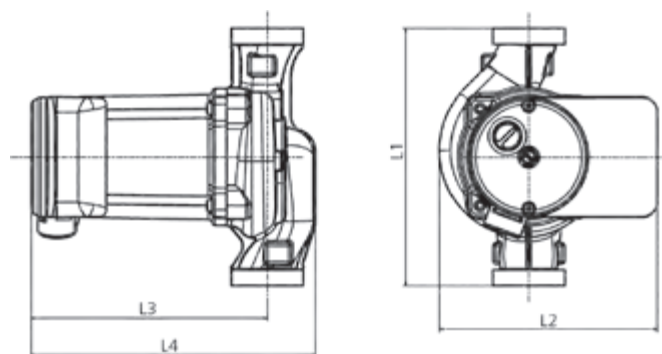
## PERFORMANCE CURVES



## DIMENSIONS

TYPE	L1 (MM)	L2 (MM)	L3 (MM)	L4 (MM)
HLP	180	153	165	199

## DIMENSION ILLUSTRATION





FOR MORE INFORMATION, CONTACT YOUR  
ARMSTRONG REPRESENTATIVE OR VISIT US AT:  
[ARMSTRONGFLUIDTECHNOLOGY.COM/CONTACTUS](http://ARMSTRONGFLUIDTECHNOLOGY.COM/CONTACTUS)

**TORONTO, CANADA**

+1 416 755 2291

**BUFFALO, USA**

+1 716 693 8813

**SÃO PAULO, BRAZIL**

+55 (11) 4781 5500

**BIRMINGHAM, UK**

+44 (0) 8444 145 145

**MANCHESTER, UK**

+44 (0) 8444 145 145

**LYON, FRANCE**

+33 (0) 420 102 625

**MANNHEIM, GERMANY**

+49 (0) 621 3999 9858

**DUBAI, UAE**

+971 4 8876775

**BANGALORE, INDIA**

+91 (0) 80 4906 3555

**SHANGHAI, CHINA**

+86 (0) 21 3756 6696

**ARMSTRONG FLUID TECHNOLOGY**  
ESTABLISHED 1934

[ARMSTRONGFLUIDTECHNOLOGY.COM](http://ARMSTRONGFLUIDTECHNOLOGY.COM)

**MAKING  
ENERGY  
MAKE  
SENSE™**

FILE NO.: 11.280MEA  
DATE: DEC. 09, 2018

SUPERSEDES: NEW  
DATE: NEW