

Water cooled central plant (VP/VS)

Design Envelope application guide

File No: 9.570UK

Date: APRIL 23, 2015

Supersedes: 9.570UK

Date: JANUARY 23, 2015

DESIGN ENVELOPE APPLICATION GUIDES

Performance improvements are among the top priorities of many building professionals today. Whether you are a developer, design consultant, engineer, contractor, facility manager or owner, chances are that you face increasing demands to not only reduce costs, but also deliver performance improvements. Public awareness on multiple levels – from the individual all the way through to government bodies – has grown to the point that energy conservation, carbon reduction, tenant comfort, and other health and environment-driven practices are key objectives for any prominent, sizeable building project.

To support and sustain this paradigm shift, Armstrong has developed a suite of advanced fluid flow and HVAC offerings that we call ‘Design Envelope solutions’. Design Envelope solutions integrating intelligent demand-based control to deliver optimal performance and the lowest possible cost, both at commissioning and throughout their full operating life.

This document is one of our Design Envelope Application Guides, a set of booklets that discuss a broad range of real-world HVAC scenarios. In each scenario the use of Design Envelope technology can result in tremendous improvements in performance of your HVAC installation (compared to standard industry practice) and ultimately your building – technically, financially, and environmentally.

The intent of this Application Guide is to present HVAC System designers with an alternative to standard practices for design layout, configuration, and design calculations and help you leverage the full potential of Armstrong Design Envelope solutions. Each Application Guide addresses a specific system configuration for HVAC or data center applications. The system configurations cover heating and cooling scenarios, including circuit configurations ranging from all constant flow, to full variable flow and variable speed plant configurations. The Application Guides will present piping arrangements, valving requirements, de-coupler configurations, instrumentation locations, control system options, and the associated impact on first cost and life-cycle costs. The full series of application guides is available for download from Armstrong's website at www.armstrongfluidtechnology.com

APPLICATION DIRECTORY

HVAC

COOLING

- 9.561UK - Water cooled chiller plant (all-variable)
- 9.562UK - Water cooled chiller plant (CP/VS)
- 9.563UK - Water cooled chiller plant with economiser
- 9.564UK - Ground source heat pump system (VP)

HEATING

- 9.565UK - Condensing boiler plant (VP)
- 9.566UK - Condensing boiler plant (CP/VS)
- 9.567UK - Closed circuit heat pump system (VP)

DISTRICT COOLING

- 9.568UK - Water cooled central plant (all-variable)
- 9.569UK - Water cooled central plant (CP/VS)

This guide covers: 9.570UK - Water cooled central plant (VP/VS)

DATA CENTRES

COOLING

- 9.571UK - Water cooled chiller plant with economiser (VP)
- 9.572UK - Water cooled chiller plant (all-variable)
- 9.573UK - Water cooled chiller plant (CP/VS)

VP = Variable primary flow

CP/VS = Constant primary flow / variable secondary flow

VP/VS = Variable primary flow / variable secondary flow

All-variable = All variable chiller plant, variable primary flow, variable secondary flow, variable condenser flow

The application discussed in this guide is a campus water-cooled chiller plant for HVAC applications, with between 3 & 12 chillers, and a variable primary/secondary CHW flow configuration with constant condenser water flow. The corresponding building has 2-way control zone valves.

Water-cooled chiller plants of this size and configuration typically start around 17,500 kW of installed cooling capacity.

APPLICATION DETAILS

Equipment	Water-cooled chillers	3-12
Use	HVAC	▪
Configuration	Var. primary flow	▪
	Var. secondary flow	▪
	Const. condenser flow	▪

DESIGN ENVELOPE BENEFITS SUMMARY

Design Envelope benefit	Design Envelope savings over conventional plant
Lowest installed cost	34%
Lowest operating cost	17%
Lowest environmental cost/impact	Annual reduction in greenhouse gas emissions (tonnes): 594
Lowest project and operating risk	(See table on page 9)
Total Design Envelope 1st year savings	24%

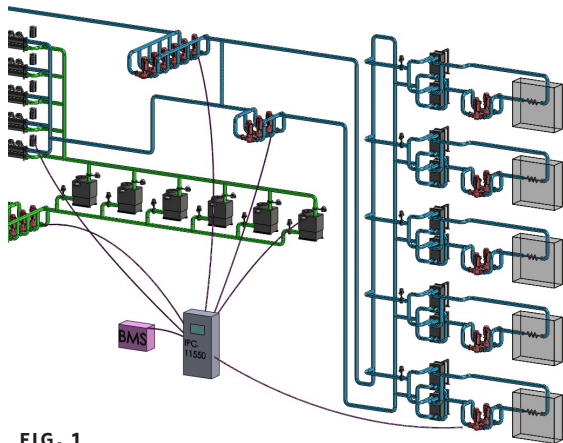


FIG. 1
DESIGN ENVELOPE PLANT LAYOUT.

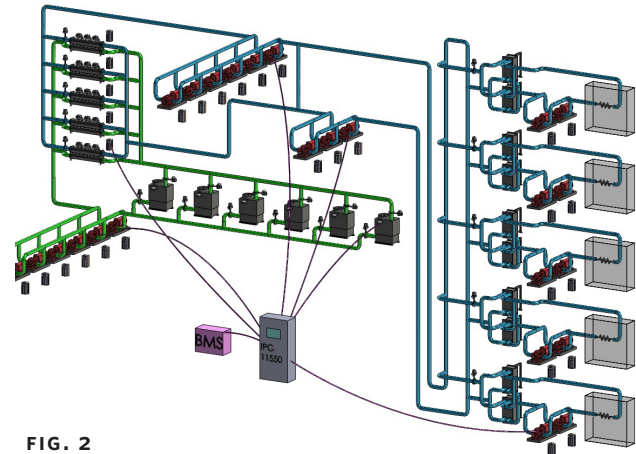


FIG. 2
CONVENTIONAL PLANT LAYOUT.

PLANT LAYOUT DESIGN ENVELOPE VS. CONVENTIONAL

	Design Envelope plant	Conventional plant
Primary loop	5-Duty + 1-standby DE 4300 Pumps Model 0810-040.0	5-Duty + 1-standby horizontal end suction pumps with remote variable frequency drive, poured concrete base, inertia base and springs, two line size flexible connectors, wall mounted VFD and power wiring.
Secondary loop	2-Duty + 1-standby DE 4300 Pumps Model 1217-250.0	2-duty + 1-standby horizontal end suction pumps with remote variable frequency drive, poured concrete base, inertia base and springs, two line size flexible connectors, wall mounted VFD and power wiring.
Tertiary loop	1-Duty + 1-standby DE 4300 Pumps Model 0810-040.0, 1-duty + 1-standby heat exchanger	1-Duty + 1-standby horizontal end suction pumps with remote variable frequency drive, and 1-duty + 1-standby heat exchanger, poured concrete base, inertia base and springs, two line size flexible connectors, wall mounted VFD and power wiring.
Condenser loop	5-Duty + 1-standby DE 4300 Pumps Model 1013-100.0 for convenient flow balancing	5-Duty + 1-standby horizontal end suction pumps with remote variable frequency drive for convenient flow balancing, poured concrete base, inertia base and springs, two line size flexible connectors, wall mounted VFD and power wiring.
Cooling towers	Single cell cooling towers where each fan motor is driven by a variable frequency drive	Single cell cooling towers where each motor is driven by a variable frequency drive.

The plant configuration that best leverages the advantages of Design Envelope technology is a variable primary CHW, constant condenser water with a variable secondary, as the campus loop distribution circuit is best controlled with secondary pumps. This includes chilled water pumps on a common header, with multiple variable flow cooling towers on a common header, plus their corresponding Design Envelope 4300 condenser water pumps that complete the hydronic circuit.

The building loop includes multiple Design Envelope 4300 secondary pumps (there may be multiple secondary distribution pumps in actual installations for highly complex systems, or different pump quantities up to the discretion of the design engineer). Each building has several heat exchangers per building with corresponding Design Envelope 4300 pumps. In very hot climates all year cooling may be required. In more temperate climates, with no cooling during the winter season, the design engineer may decide to provide a single heat exchanger for cost savings. Additionally, the design engineer may opt to delete the pressure break heat exchanger, though, the control valve location and logic will remain the same (with or without the heat exchanger).

Conventional plant solutions are designed around what is considered standard industry best practice (with base mount-

ed pumps and variable frequency drives [VFDs] mounted remotely to a wall). For example, when it comes to balancing large constant flow systems, two options could be considered for motors over 7.5 kW — a) trim the impeller or b) utilise a variable frequency drive to balance the constant flow. With Design Envelope pumps we presume the best industry practice of utilising the VFD for flow balancing. However, if VFDs for flow balancing are not being used in a specific project, this needs to be taken into account in the cost analysis.

Utilisation of VFDs on larger pumps (condenser water pumps in this case) often times also acts as a soft-start strategy — substantially reducing inrush currents, as well as keeping flow constant as the piping system is affected by deposits over time.

The use of variable flow pump technology on each circuit enables a flexible platform on which an all-variable control system can be established.

The most likely chiller selection is a variable speed compressor-based machine with an advanced microprocessor controller. The most likely cooling tower configuration is a variable-water flow design that is able to leverage the advantages of maximised cooling tower surface area.

**PLANT AUTOMATION / CONTROL STRATEGY
DESIGN ENVELOPE VS. CONVENTIONAL**

	Design Envelope plant	Conventional plant
Control platform	Plant automation system IPC 11550	Building Management System (BMS) - plant control module
System control sequence	Digital demand based control curves	Capacity based sequencing with cooling tower water temperature reset, fan speed control and PID feedback loop
Optimisation sequence	Variable speed plant automation except for condenser water, with equal marginal performance principle speed optimisation, load reset and natural curve sequencing	Variable primary CHW flow (VPF) control loop, with both chilled water supply temperature reset and condenser water (LTWT) reset
Plant equipment architecture	Variable speed plant with variable primary CHW flow (VPF), variable air flow cooling towers and constant flow condenser water	Variable primary CHW flow (VPF), with variable air flow cooling towers and constant flow condenser water
Performance & diagnostic management	Performance ratio based real-time plant equipment and sequencing diagnostics, with sensitivity to 5% of targeted efficiency using ECO*PULSE	BMS alarms sent to facility operator based on pre-fixed limits for temperature or "on/off", when compared to settings

Design Envelope plant	Conventional plant
Primary loop- IPC 11550 <ul style="list-style-type: none"> ▪ Pump speed controlled via a combination of return water temperature and primary flow meter. ▪ Natural curve sequencing of chillers 	Primary loop- BMS controls <ul style="list-style-type: none"> ▪ Pump speed controlled via a combination of return water temperature and primary flow meter ▪ Staging of chillers is capacity based.
Secondary loop- IPC 11550 <ul style="list-style-type: none"> ▪ Pumps are controlled by the IPC11550 controller where it receives the tertiary loop valve positions from each tertiary IPS4000 controller. 	Secondary loop- BMS controls <ul style="list-style-type: none"> ▪ Pump speed / alternation to maintain differential pressure
Tertiary loop- IPS 4000 <ul style="list-style-type: none"> ▪ Pumps are controlled by the IPS4000 controller and the IPS4000 also controls the return water valve temperature on the secondary loop. Communicates valve position to the IPC11550. 	Tertiary loop- BMS controls <ul style="list-style-type: none"> ▪ Pump speed / alternation to maintain differential pressure building loop ▪ Valve on heat exchanger controls secondary return loop temperature back to chilled water plant
Condenser loop- IPC 11550 <ul style="list-style-type: none"> ▪ Condenser pump staging is constant flow where the number of pumps matches the number of chillers. 	Condenser loop- BMS controls <ul style="list-style-type: none"> ▪ Condenser pump staging is constant flow where number of pumps matches number of chillers
Tower loop- IPC 11550 <ul style="list-style-type: none"> ▪ Tower fan speed controlled by Equal Marginal Performance Principle. ▪ Tower staging based on natural curve sequencing. 	Tower loop- BMS controls <ul style="list-style-type: none"> ▪ Fans controlled by variable speed drive to maintain leaving tower set point ▪ Tower staging is constant flow where the number of towers matches the number of chillers
Remote plant energy efficiency monitoring <ul style="list-style-type: none"> ▪ Eco*Pulse for 1st year of operation 	Remote Monitoring-BMS controls. <ul style="list-style-type: none"> ▪ For critical alarm notification only

The Design Envelope plant employs an Integrated Plant Control System, IPC 11550. The IPC is at the core of operating all the variable speed/variable flow equipment in unison in order to supply the exact cooling load required at the lowest possible energy and water usage. In comparison, traditional BMS control/ silo operation typically incurs much higher installed and operating/energy cost.

In addition to the IPC, the Design Envelope plant utilizes the Integrated Pump Control System, IPS 4000. The IPS provides both parallel sensorless pumping and control of the 2-way valves in each building. The IPS reads the position of each valve, communicates the information back to the IPC, and thus ensures all valves are kept open as much as possible at any given time.

How do we ensure a high-efficiency system is delivered to the owner? And how do we build in automatic measurement and verification? Every IPC installation comes with a free 1st year subscription to ECO*PULSE, Armstrong's HVAC health management system. ECO*PULSE includes automatic daily email notifications on plant performance, a user-friendly web interface, and quarterly performance reports prepared by Armstrong experts. Additional information regarding the IPC 11550, IPS 4000 and ECO*PULSE can be found on the Armstrong web site.

With conventional chiller plant designs, combining variable primary and variable secondary pumping can pose serious challenges to the controls vendors. BMS vendors have to ensure that the primary pump flow matches the secondary pump flow - which typically is accomplished through a combination of flow meters and temperature sensors.

Care must be taken in the selection of the centrifugal chillers to verify a) they can handle variable flow through their evaporators, b) they can handle the expected changes in flow rates, and c) they can handle the expected minimum flow rate through their evaporators. Typically, a minimum of 40% or less primary chilled water flow will provide respectable energy savings from the primary CHW pumps. The lower the flow turndown on the chillers, the more the primary flow can be reduced at part load.

The secondary and tertiary pump speeds are traditionally controlled via differential pressure sensors or valve position. The valve on the cold side (i.e. secondary side) of the heat exchanger is controlled to return a fixed temperature back to the central plant. The set-point is the desired return water temperature to the chilled water plant. Many large campus plants employ pressure independent valves on the tertiary pumping to ensure sustained high return water temperatures.

Equipment is staged according to capacity, that is, once a chiller nears full capacity, the next chiller in line kicks in.

In certain applications the cooling towers are staged where the cooling towers need to be selected so that multiple towers can handle the flow from a single condenser pump.

The BMS provides traditional remote alarms via e-mail, etc., to the building operators.

LARGE CHILLED WATER PLANT BASE CASE INSTALLATION

University complex: Cairo, Egypt

Technical details:

17580 kW load; 6 chillers @3515 kW each; 6 towers; 7 condenser pumps, 6 VP pumps & 3 VS pumps, 5 buildings 3515 kW each served by 2 tertiary pumps and 2 heat exchangers

Design conditions (without redundancy):

- 17580 kW plant load, 4°C supply, 10°C return
- 5 Buildings, 3515 kW each with tertiary flow 454 m³/h @ 50' with heat exchangers
- Primary Flow 2270 m³/h @ 15.2m without flow redundancy
- Secondary Flow 2270 m³/h @ 45.7m without flow redundancy
- Condenser Flow 3400 m³/h @ 21.3m without flow redundancy
- Outdoor Ambient Design 38°C Dry Bulb, 25.5°C Wet Bulb
- Cooling tower fan 56 kW per cell
- Design entering condenser water temperature of 29°C, COP 5.5 full load power draw per chiller

DESIGN ENVELOPE BENEFITS SUMMARY

Design Envelope benefit	Design Envelope savings over conventional plant
Lowest installed cost	£290930
Lowest operating cost	£192360
Lowest environmental cost/impact	Annual reduction in greenhouse gas emissions (tonnes): 594
Lowest project and operating risk	(See table on page 9)
Total Design Envelope 1st year savings	£483290 (24%)

LOWEST INSTALLED COST

Savings area	Design Envelope plant installed savings
Material & installation	£228700
Time (labour)	included in material & installation
Power infrastructure	110 kW (150 hp)
Space	£59080
Civil structure	included in material & installation
Utility rebates	Not applicable in Egypt
Commissioning & call backs	£3150
Total installed savings	£290930 (34%)

LOWEST OPERATING COST

Savings area	Design Envelope plant operating savings (annually)
Energy	(1,942,270 kWh @ £0.07/kWh) £135960
Maintenance	(£50/hour) £5500
Reliability	(increased availability) 10%
Water	(41,484 us gal @ £0.07/gal) £41290
Operator labour	(£50/hour) £5500
Target Mtce avoids failure (E*P)	£11815
Total operating savings	£200065 (17%)

LOWEST ENVIRONMENTAL COST

Savings area	Design Envelope plant environmental savings
Carbon footprint (energy)	(ton GHG [90% NG, 10% hydro]) 594
Concrete infrastructure	(cubic meter of concrete) 38

LOWEST PROJECT AND OPERATING RISK

Risk to	Risk source	Design Envelope plant risk reduction	% of total mechanical project
General contractor	Commissioning delay and payment delay of hold back amounts	£80080	1.5%
Owner (capital projects)	Inevitable design changes by different stakeholders	£28880	0.5%
Owner (operations and maintenance)	Energy and operational savings not achieved	£227770	4.2%
Engineer	Reputation deterioration and losing new business	£81395	1.5%
Mechanical contractor	Commissioning delay and payment delay of hold back	£30195	0.6%

SUMMARY

By incorporating Design Envelope and Integrated Plant Control we are able to provide a lower carbon footprint, more efficient and more economical first cost solution whilst maintaining flexibility and lower life cycle costs.

Every pump we are converting from horizontal base mounted pumps with the VFDs mounted on an adjacent wall to Armstrong Design Envelope Intelligent Variable Speed pumps. Resulting in the following:

- Free up wall space by integrating the vfd onto the motor.
- In many selections, a smaller sized pump motor for the same design conditions.
- Eliminate the inertia base, concrete, housekeeping pad, and flexible connections for the traditional pumps.
- Design flow can be balanced and verified right on the pump controller as it is now an integrated flow meter.
- For secondary and tertiary pumping, the differential pressure sensors can be removed for additional first installed cost reduction.
- Reduction in mechanical floor space

The IPC11550 is the heart of what optimises all of the equipment to work together to provide the same cooling tonnage to the building lower energy and water consumed compared with traditional BMS controls.

We are utilising the IPS4000 controller on each building to provide parallel sensorless pumping to each building as well as controlling the building's 2-way valve. Each building's 2-way valve position will be communicated by the IPS4000 controller back to the IPC11550 to minimise secondary pumping energy to keep the valves as open as possible. EcoPulse™ comes as standard for the 1st year on every

IPC11550, it includes an automatic daily e-mail notification of the plant performance, a web interface, and quarterly reports provided by Armstrong factory personnel.

The difference in the installation cost comes from not having to install the bases with concrete, flexible couplings, vfd wiring, horizontal alignment labor, and additional piping that would be required to install the traditional horizontal base mounted pumps.

For the controls, this is the additional cost for providing both the IPC11550 plant controller as well as the additional IPS4000 controllers for the tertiary pumping.

The energy savings on this project come from our Design Envelope pumping solutions in conjunction with our Design Envelope IPC11550 controls solution. For any project, we are able to work through our Energy Analysis to predict the potential energy savings available.

The Design Envelope Pumps reduces the maintenance spending as it takes less time to change a seal in a Design Envelope Pump compared to a traditional based mounted pump. Additionally, Armstrong Design Envelope Pumps eliminate shaft alignment that would be required for a traditional base mounted pump after a seal change.

Cooling towers evaporate water to reject the heat out of the building. This heat is made up of two components: The heat from the building, and the power from all of the motors working to reject the heat out of the building. The Design Envelope IPC11550 controls the equipment to use less energy, therefore less power from the motors need to be rejected out by the cooling towers. The result is less total heat needs to be rejected outside by the cooling towers, which results in less water needed for evaporation. If water is scarce or expensive

in your area, this can be a source of additional cost savings. The Design Envelope Pumps and IPC11550 give the operator information regarding pump flow and total system operation so that they can troubleshoot at the device and not have to worry about remote differential pressure sensors, or how the system is performing.

Maintenance avoidance savings are generated by utilising EcoPulse™ to diagnose and offer remedies before any failure has occurred, and to detect changes in performance of 5% or greater that would have otherwise been missed by a traditional BMS alarming system. An example would be if a piece of equipment has been left in manual/hand mode that a BMS would never detect or recognise as impacting the efficiency of the system.

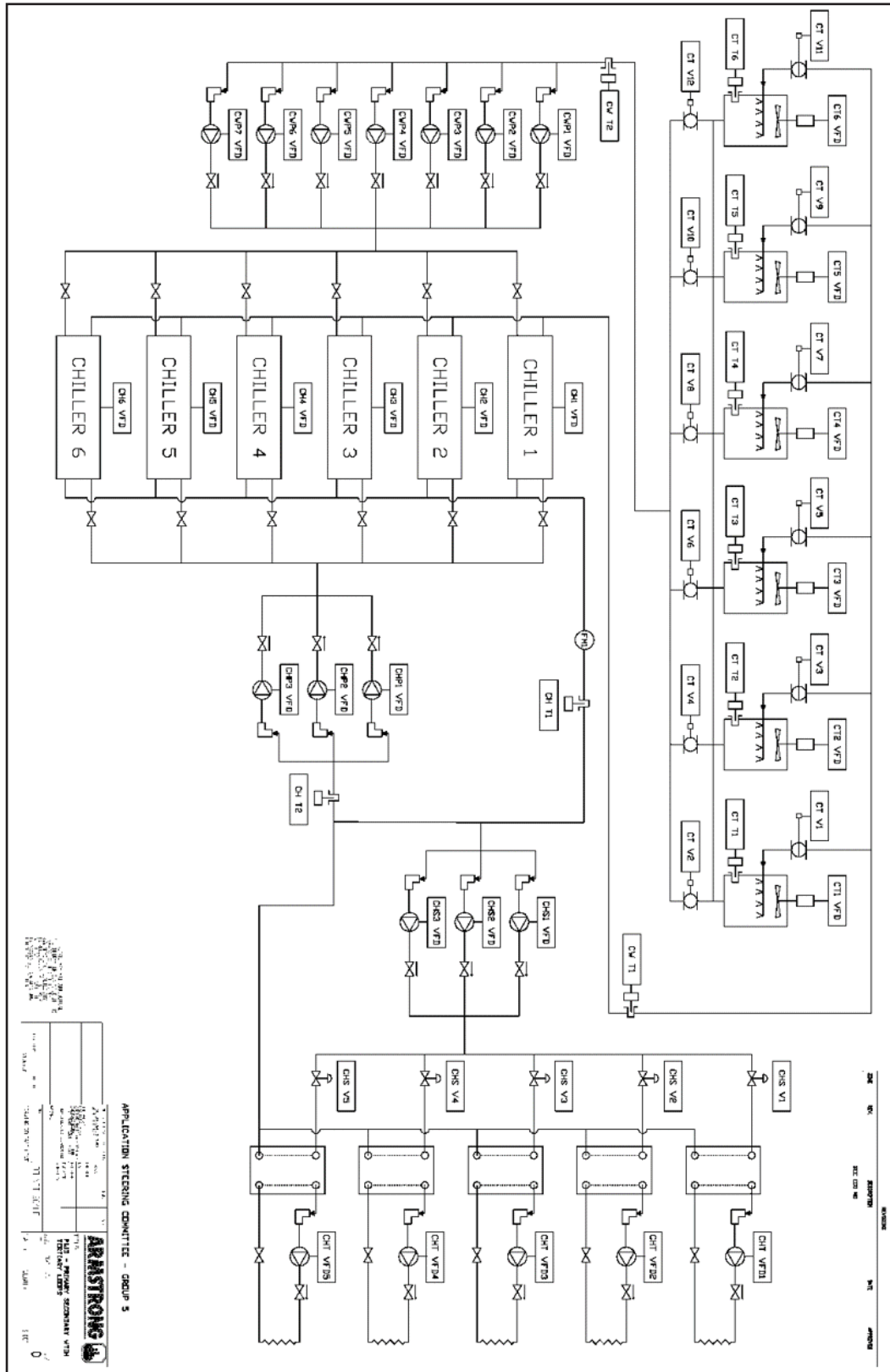
The carbon footprint calculation is based on Armstrong's ECONOMICS calculator tool for greenhouse gas emissions reductions. It is based on the kW-hr energy saved as well as the annual electricity fuel mix for the local power utility. Based on our best information (US Energy Information Administration for 2013), Egypt's approximate fuel source mix is 90% natural gas and 10% hydro.

For the waste material reduction, this is an estimated savings of the concrete that would have had to have been used for the traditional horizontal pump bases as well as their corresponding housekeeping pads.

The project risk has been approximated on the amount of time that the general contractor and engineer would have to spend on installing and troubleshooting remote differential pressure sensors, co-ordinating the electrical installation of the VFDs to the traditional horizontal pump motors, time spent as risk in balancing the system flow traditionally verses utilising the Design Envelope pumps to measure and balance the design flow at the pump.

Additionally, commissioning via the Design Envelope IPC11550 controls will further reduce the risk of commissioning traditional BMS systems.

PROCESS & INSTRUMENTATION DIAGRAM



TORONTO

23 BERTRAND AVENUE
TORONTO, ONTARIO
CANADA
M1L 2P3
+1 416 755 2291

BUFFALO

93 EAST AVENUE
NORTH TONAWANDA, NEW YORK
U.S.A.
14120-6594
+1 716 693 8813

BIRMINGHAM

HEYWOOD WHARF, MUCKLOW HILL
HALESOWEN, WEST MIDLANDS
UNITED KINGDOM
B62 8DJ
+44 (0) 8444 145 145

MANCHESTER

WOLVERTON STREET
MANCHESTER
UNITED KINGDOM
M11 2ET
+44 (0) 8444 145 145

BANGALORE

#59, FIRST FLOOR, 3RD MAIN
MARGOSA ROAD, MALLESWARAM
BANGALORE, INDIA
560 003
+91 (0) 80 4906 3555

SHANGHAI

NO. 1619 HU HANG ROAD, XI DU TOWNSHIP
FENG XIAN DISTRICT, SHANGHAI
P.R.C.
201401
+86 21 3756 6696