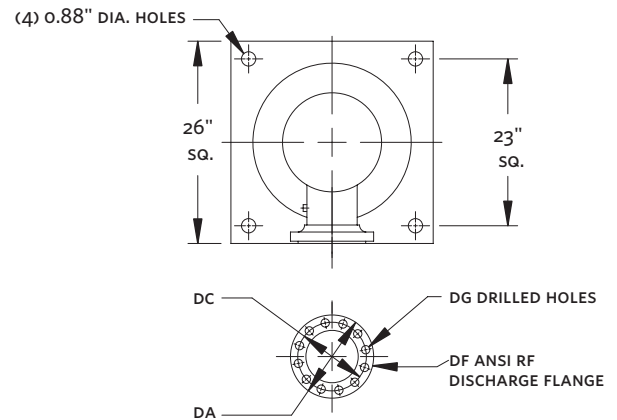
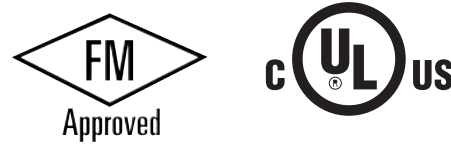


## VERTICAL TURBINE ELECTRIC FIRE PUMP | 10×16M VTF WITH 10×20 FABRICATED STEEL HEAD | SUBMITTAL

File No: F51.530  
Date: APRIL 28, 2025  
Supersedes: F51.530  
Date: AUGUST 15, 2005

Job: \_\_\_\_\_ Representative: \_\_\_\_\_  
 \_\_\_\_\_ Order no.: \_\_\_\_\_ Date: \_\_\_\_\_  
 Engineer: \_\_\_\_\_ Submitted by: \_\_\_\_\_ Date: \_\_\_\_\_  
 Contractor: \_\_\_\_\_ Approved by: \_\_\_\_\_ Date: \_\_\_\_\_

**Model:** 10 × 16M VTF      **Discharge head:** 10 × 20 F  
**rpm:** 1770 Water lube      **2500 gpm:** \_\_\_\_\_ T.D.H  
 FM    UL    NFPA-20 only    Approval    Construction  
**Motor:** \_\_\_\_\_      **HP:** \_\_\_\_\_  
**Volt:** \_\_\_\_\_      **pH:** \_\_\_\_\_  
**Hz:** \_\_\_\_\_  
 **Controller model:** \_\_\_\_\_

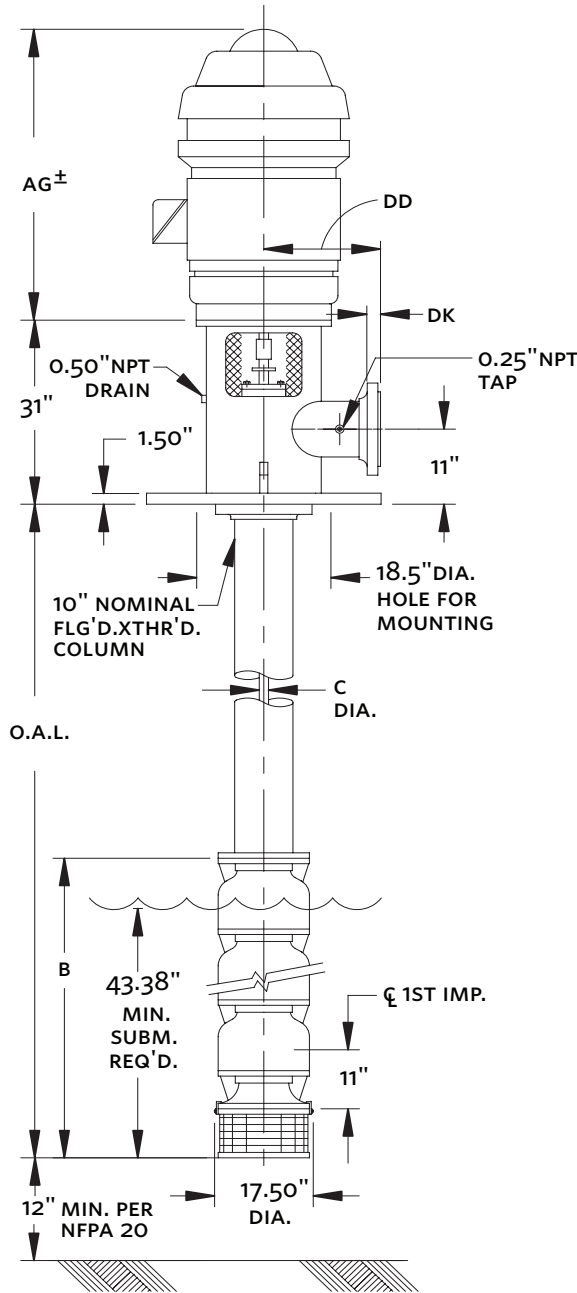


PRESS RATE	DISCHARGE FLANGE inch (mm)					
	DA	DC	DD	DF	DG	DK
300 #	17.50 (445)	15.25 (387)	14.00 (356)	10.00 (254)	1.13 (29)	1.88 (49)

NO OF STG'S	DISCHARGE SIZE	RATING	DIMENSION inch (mm)		
	inch (mm)		AG*	B	C
5	10.00 (254)	300	65.25 (1657)	96.13 (2442)	1.94 (49)

**NOTES**

- Dimensions are in inches unless otherwise indicated.
- When motor is oil lubricated, oil is not furnished. See operation manual for manufacturer's recommendations.
- Not to be used for construction unless certified.
- \* Dimension based on motor height of a standard WP-I Hollow shaft motor. Subject to change depending on motor mfg. and/or the use of a motor adaptor.



TORONTO  
+1 416 755 2291

BUFFALO  
+1 716 693 8813

DROITWICH SPA  
+44 8444 145 145

MANCHESTER  
+44 8444 145 145

BANGALORE  
+91 80 6510 3555

SHANGHAI  
+86 21 5237 0909

BEIJING  
+86 21 5237 0909

SÃO PAULO  
+55 11 4785 1330

LYON  
+33 4 20 10 26 21

DUBAI  
+971 4 887 6775

JIMBOLIA  
+40 256 360 030

FRANKFURT  
+49 6173 999 77 55