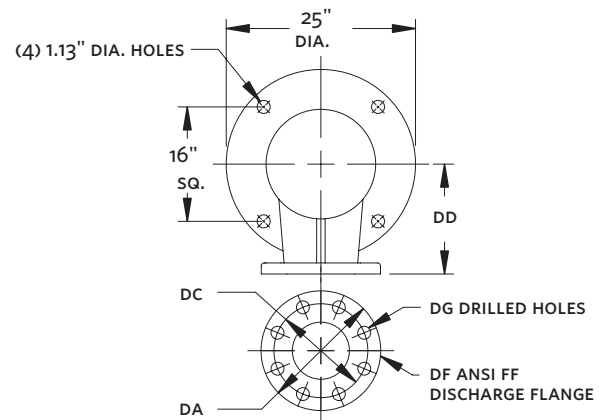
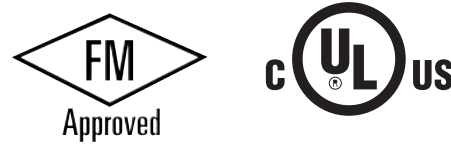


## VERTICAL TURBINE ELECTRIC FIRE PUMP | 10×16M VTF WITH 10×16.5 CAST IRON HEAD | SUBMITTAL

File No: F51.528  
Date: APRIL 28, 2025  
Supersedes: F51.528  
Date: AUGUST 15, 2005

Job: \_\_\_\_\_ Representative: \_\_\_\_\_  
 \_\_\_\_\_ Order no.: \_\_\_\_\_ Date: \_\_\_\_\_  
 Engineer: \_\_\_\_\_ Submitted by: \_\_\_\_\_ Date: \_\_\_\_\_  
 Contractor: \_\_\_\_\_ Approved by: \_\_\_\_\_ Date: \_\_\_\_\_

**Model:** 10 × 16M VTF      **Discharge head:** 10 × 16.5 A  
**rpm:** 1770 Water lube      **2500 gpm:** \_\_\_\_\_ T.D.H  
 FM    UL    NFPA-20 only    Approval    Construction  
**Motor:** \_\_\_\_\_      **HP:** \_\_\_\_\_  
**Volt:** \_\_\_\_\_      **pH:** \_\_\_\_\_  
**Hz:** \_\_\_\_\_  
 **Controller model:** \_\_\_\_\_



PRESS RATE	DISCHARGE FLANGE inch (mm)					
	DA	DC	DD	DF	DG	DK
125 #	16.00 (381)	14.25 (362)	14.00 (356)	10.00 (254)	1.00 (25)	1.19 (30)
250#	17.50 (445)	15.25 (387)	14.69 (373)	10.00 (254)	1.13 (29)	1.88 (48)

NO OF STG'S	DISCHARGE SIZE inch (mm)	RATING	DIMENSION inch (mm)		
			AG*	B	C
2	10.00 (254)	125	53.44 (1357)	57.13 (1451)	1.50 (38)
3	10.00 (254)	125	53.44 (1357)	70.13 (1781)	1.50 (38)
3	10.00 (254)	125	61.88 (1572)	70.13 (1781)	1.69 (43)
4	10.00 (254)	250	61.88 (1572)	83.13 (2112)	1.94 (49)
5	10.00 (254)	250	61.88 (1572)	96.13 (2442)	1.94 (49)

**NOTES**

- Dimensions are in inches unless otherwise indicated.
- When motor is oil lubricated, oil is not furnished. See operation manual for manufacturer's recommendations.
- Not to be used for construction unless certified.
- \* Dimension based on motor height of a standard WP-I Hollow shaft motor. Subject to change depending on motor mfg. and/or the use of a motor adaptor.

