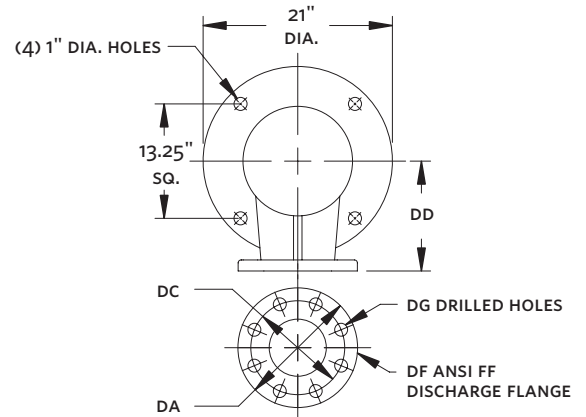


VERTICAL TURBINE ELECTRIC FIRE PUMP | 8×12H VTF WITH 8×16.5 CAST IRON HEAD | SUBMITTAL

File No: F51.520
Date: APRIL 28, 2025
Supersedes: F51.520
Date: AUGUST 15, 2005

Job: _____ Representative: _____
 _____ Order no.: _____ Date: _____
 Engineer: _____ Submitted by: _____ Date: _____
 Contractor: _____ Approved by: _____ Date: _____

Model: 8 × 12H VTF **Discharge head:** 8 × 16.5 A
rpm: 1770 Water lube **1500 gpm:** _____ T.D.H
 FM UL NFPA-20 only Approval Construction
Motor: _____ **HP:** _____
Volt: _____ **pH:** _____
Hz: _____
 Controller model: _____

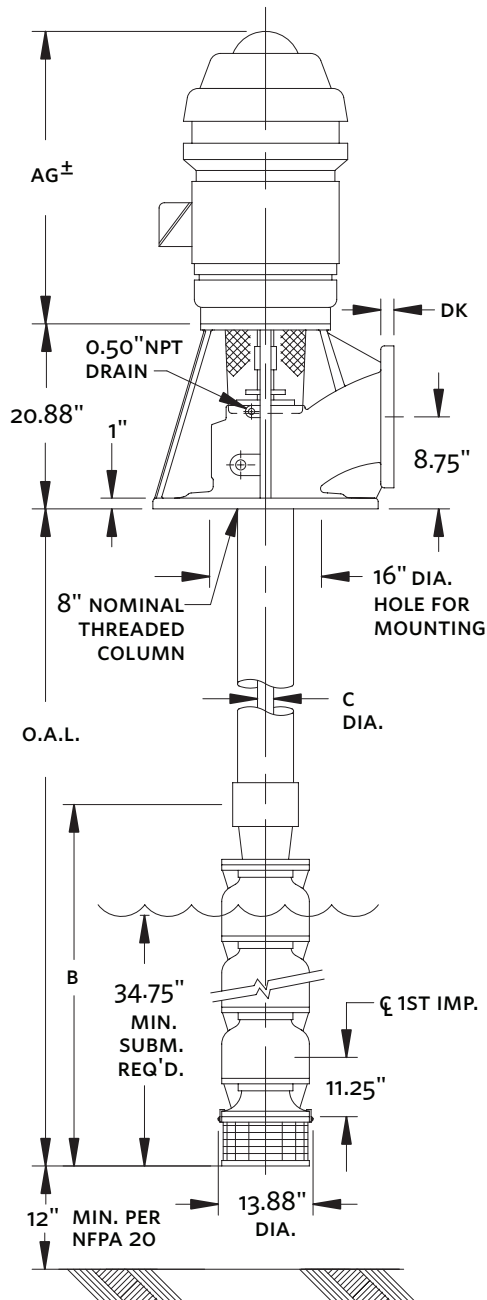


PRESS RATE	DISCHARGE FLANGE inch (mm)					
	DA	DC	DD	DF	DG	DK
125 #	13.50 (343)	11.75 (299)	11.50 (292)	8.00 (203)	0.88 (22)	1.13 (29)
250 #	15.00 (381)	13.00 (330)	12.00 (305)	8.00 (203)	1.00 (25)	1.63 (41)

NO OF STG'S	DISCHARGE SIZE inch (mm)	RATING	DIMENSION inch (mm)		
			AG*	B	C
4	8.00 (203)	125	53.44 (1357)	69.19 (1757)	1.50 (38)
5	8.00 (203)	125	53.44 (1357)	79.50 (2019)	1.50 (38)
5	8.00 (203)	250	53.44 (1357)	79.50 (2019)	1.50 (38)
6	8.00 (203)	250	53.44 (1357)	89.81 (2281)	1.50 (38)
6	8.00 (203)	250	53.44 (1357)	89.81 (2281)	1.69 (43)
7	8.00 (203)	250	53.44 (1357)	100.13 (2543)	1.69 (43)
8	8.00 (203)	250	61.88 (1572)	110.44 (2805)	1.69 (43)
9	8.00 (203)	250	63.44 (1611)	120.75 (3067)	1.94 (49)
10	8.00 (203)	250	63.44 (1611)	131.06 (3329)	1.94 (49)

NOTES

- Dimensions are in inches unless otherwise indicated.
- When motor is oil lubricated, oil is not furnished. See operation manual for manufacturer's recommendations.
- Not to be used for construction unless certified.
- * Dimension based on motor height of a standard WP-I Hollow shaft motor. Subject to change depending on motor mfg. and/or the use of a motor adaptor.



TORONTO
+1 416 755 2291

BUFFALO
+1 716 693 8813

DROITWICH SPA
+44 8444 145 145

MANCHESTER
+44 8444 145 145

BANGALORE
+91 80 6510 3555

SHANGHAI
+86 21 5237 0909

BEIJING
+86 21 5237 0909

SÃO PAULO
+55 11 4785 1330

LYON
+33 4 20 10 26 21

DUBAI
+971 4 887 6775

JIMBOLIA
+40 256 360 030

FRANKFURT
+49 6173 999 77 55