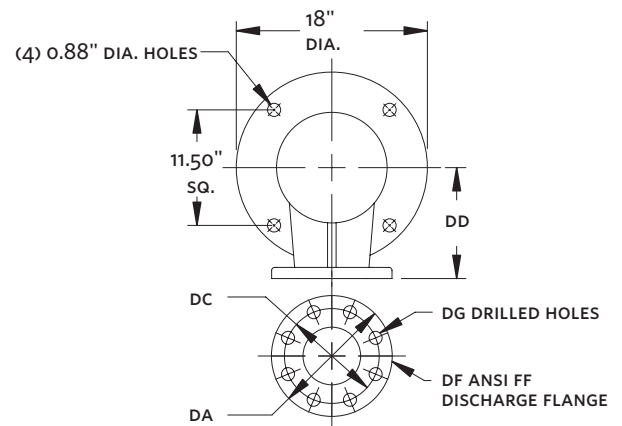
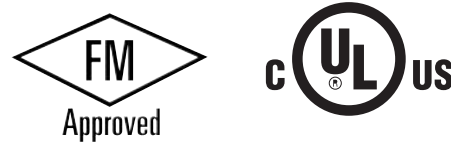


VERTICAL TURBINE ELECTRIC FIRE PUMP | 6×10H VTF WITH 6×12 CAST IRON HEAD | SUBMITTAL

File No: F51.502
Date: APRIL 28, 2025
Supersedes: F51.502
Date: AUGUST 15, 2005

Job: _____ Representative: _____
 _____ Order no.: _____ Date: _____
 Engineer: _____ Submitted by: _____ Date: _____
 Contractor: _____ Approved by: _____ Date: _____

Model: 6 × 10H VTF **Discharge head:** 6 × 12 A
rpm: 1770 Water lube **500 gpm:** _____ T.D.H
 FM UL NFPA-20 only Approval Construction
Motor: _____ **HP:** _____
Volt: _____ **pH:** _____
Hz: _____
 Controller model: _____

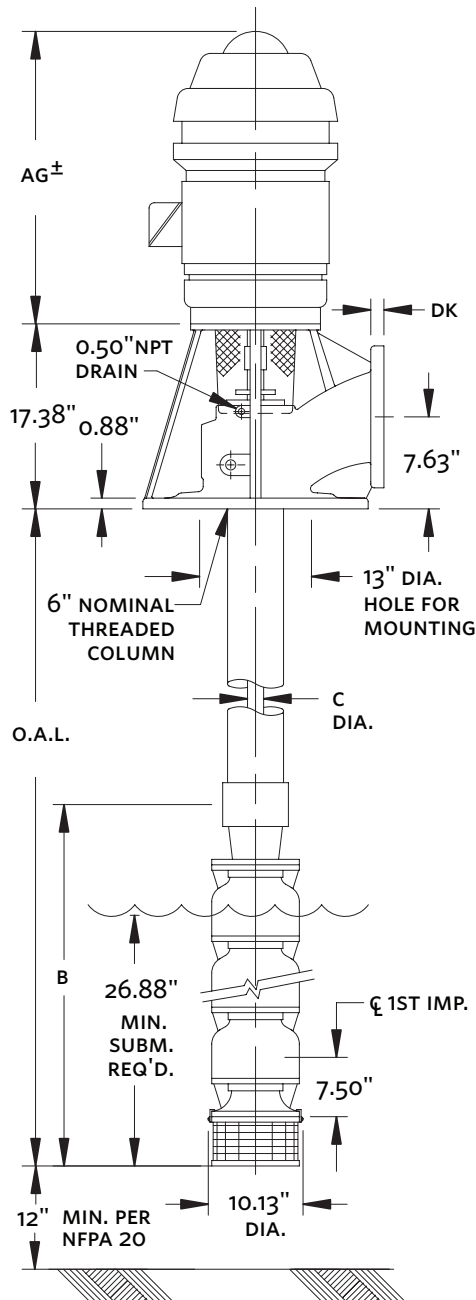


| PRESS RATE | DISCHARGE FLANGE inch (mm) | | | | | |
|------------|----------------------------|---------------|----------------|---------------|--------------|--------------|
| | DA | DC | DD | DF | DG | DK |
| 125 # | 11.00 (279) | 9.50 (241) | 10.25 (260) | 6.00 (152) | 0.88 (22) | 1.00 (25) |

| NO OF STG'S | DISCHARGE SIZE | RATING | DIMENSION inch (mm) | | |
|-------------|----------------|--------|---------------------|--------------|-----------|
| | inch (mm) | | AG* | B | C |
| 5 | 6.00 (152) | 125 | 36.94 (938) | 63.44 (1611) | 1.00 (25) |
| 6 | 6.00 (152) | 125 | 36.94 (938) | 71.94 (1827) | 1.00 (25) |
| 7 | 6.00 (152) | 125 | 40.25 (1022) | 80.44 (2043) | 1.00 (25) |

NOTES

- Dimensions are in inches unless otherwise indicated.
- When motor is oil lubricated, oil is not furnished. See operation manual for manufacturer's recommendations.
- Not to be used for construction unless certified.
- * Dimension based on motor height of a standard WP-I Hollow shaft motor. Subject to change depending on motor mfg. and/or the use of a motor adaptor.



TORONTO
+1 416 755 2291

BUFFALO
+1 716 693 8813

DROITWICH SPA
+44 8444 145 145

MANCHESTER
+44 8444 145 145

BANGALORE
+91 80 6510 3555

SHANGHAI
+86 21 5237 0909

BEIJING
+86 21 5237 0909

SÃO PAULO
+55 11 4785 1330

LYON
+33 4 20 10 26 21

DUBAI
+971 4 887 6775

JIMBOLIA
+40 256 360 030

FRANKFURT
+49 6173 999 77 55