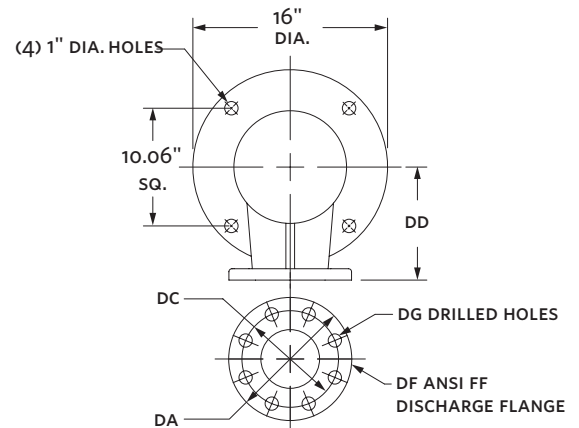
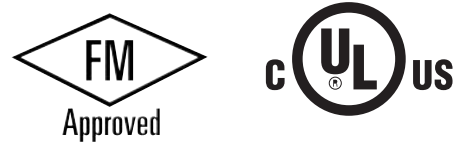


VERTICAL TURBINE ELECTRIC FIRE PUMP | 4x8H VTF WITH 4x10 CAST IRON HEAD | SUBMITTAL

File No: F51.500
Date: APRIL 28, 2025
Supersedes: F51.500
Date: AUGUST 15, 2005

Job: _____ Representative: _____
 _____ Order no.: _____ Date: _____
 Engineer: _____ Submitted by: _____ Date: _____
 Contractor: _____ Approved by: _____ Date: _____

Model: 4 x 8H VTF **Discharge head:** 4 x 10 A
rpm: 1770 Water lube **250 gpm:** _____ T.D.H
 FM UL NFPA-20 only Approval Construction
Motor: _____ **HP:** _____
Volt: _____ **pH:** _____
Hz: _____
 Controller model: _____

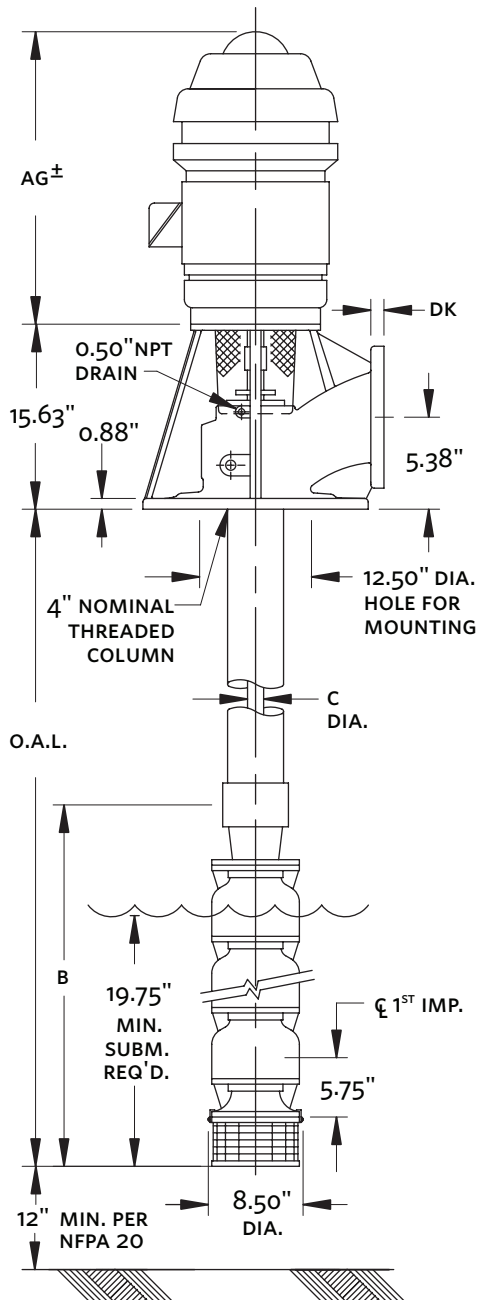


| PRESS RATE | DISCHARGE FLANGE inch (mm) | | | | | |
|------------|----------------------------|---------------|---------------|---------------|---------------|--------------|
| | DA | DC | DD | DF | DG | DK |
| 125 # | 9.00 (228) | 7.50 (190) | 8.63 (219) | 4.00 (102) | 0.75 (19) | 0.94 (24) |
| 250# | 10.00 (254) | 7.88 (200) | 8.94 (227) | 4.00 (102) | 8.88 (226) | 1.25 (32) |

| NO OF STG'S | DISCHARGE SIZE inch (mm) | RATING | DIMENSION inch (mm) | | |
|-------------|-----------------------------|--------|---------------------|---------------|-----------|
| | | | AG* | B | C |
| 5 | 4.00 (102) | 125 | 26.75 (679) | 53.50 (1359) | 1.00 (25) |
| 6 | 4.00 (102) | 125 | 30.44 (773) | 60.75 (1543) | 1.00 (25) |
| 7 | 4.00 (102) | 125 | 30.44 (773) | 68.00 (1727) | 1.00 (25) |
| 8 | 4.00 (102) | 125 | 30.44 (773) | 75.25 (1911) | 1.00 (25) |
| 9 | 4.00 (102) | 125 | 30.44 (773) | 82.50 (2096) | 1.00 (25) |
| 10 | 4.00 (102) | 125 | 30.44 (773) | 89.75 (2280) | 1.00 (25) |
| 11 | 4.00 (102) | 125 | 36.94 (938) | 97.00 (2464) | 1.00 (25) |
| 11 | 4.00 (102) | 250 | 36.94 (938) | 97.00 (2464) | 1.00 (25) |
| 12 | 4.00 (102) | 250 | 36.94 (938) | 104.25 (2648) | 1.00 (25) |
| 13 | 4.00 (102) | 250 | 36.94 (938) | 111.50 (2832) | 1.00 (25) |
| 14 | 4.00 (102) | 250 | 36.94 (938) | 118.75 (3016) | 1.00 (25) |

NOTES

- Dimensions are in inches unless otherwise indicated.
- When motor is oil lubricated, oil is not furnished. See operation manual for manufacturer's recommendations.
- Not to be used for construction unless certified.
- * Dimension based on motor height of a standard WP-I Hollow shaft motor. Subject to change depending on motor mfg. and/or the use of a motor adaptor.



TORONTO
+1 416 755 2291

BUFFALO
+1 716 693 8813

DROITWICH SPA
+44 8444 145 145

MANCHESTER
+44 8444 145 145

BANGALORE
+91 80 6510 3555

SHANGHAI
+86 21 5237 0909

BEIJING
+86 21 5237 0909

SÃO PAULO
+55 11 4785 1330

LYON
+33 4 20 10 26 21

DUBAI
+971 4 887 6775

JIMBOLIA
+40 256 360 030

FRANKFURT
+49 6173 999 77 55