

VERTICAL TURBINE FIRE PUMP | ACCESSORIES | SUBMITTAL

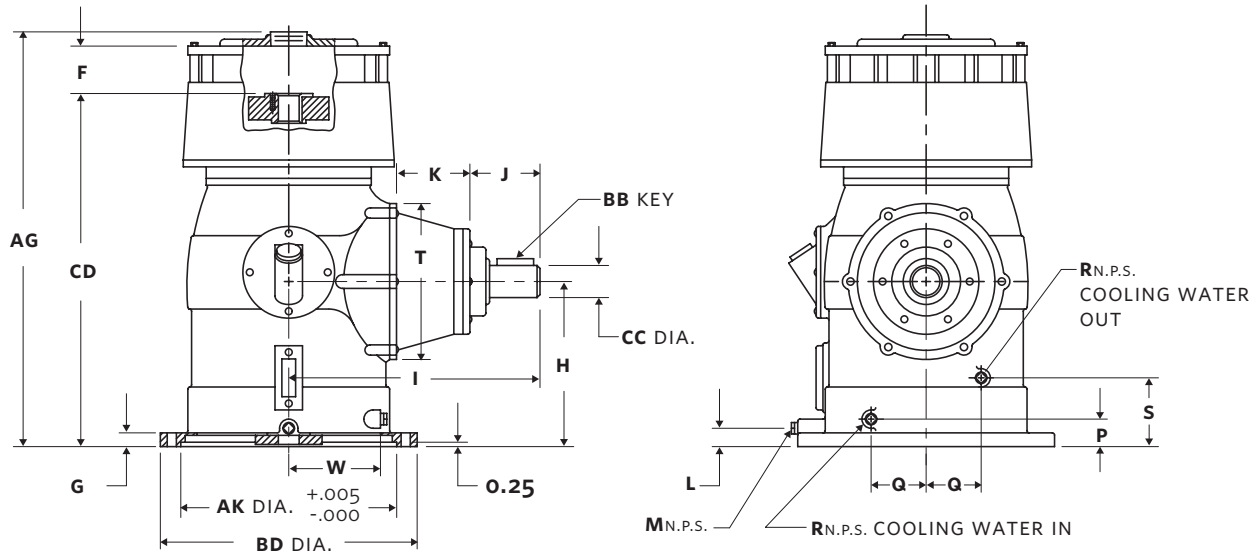
File No: F51.759
Date: APRIL 10, 2025
Supersedes: F51.759
Date: JULY 22, 2013

Job: _____ Customer: _____
Item no.: _____ Order no.: _____
Mfg. Rep.: _____ Dwg. no.: _____ Serial no.: _____
Not to be used for construction unless certified: By: _____ Date: _____
Mfg.: Randolph Gear _____ Model: _____

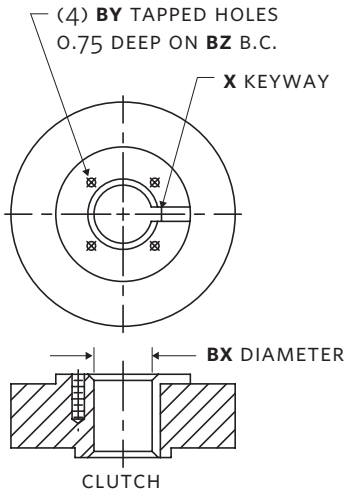
RIGHT ANGLE GEAR DRIVE - RANDOLPH



RIGHT ANGLE GEAR DRIVE



MODEL	M40/M60 M80/M100	F40/G60 G80	G100/G125 M150	M200	G150 G200A	G250 G300	G350 G400	G450	F500/ F590 F750	F1000	F1200 F1500
AG (FAN)	22 $\frac{1}{4}$	26 $\frac{11}{16}$	26 $\frac{11}{16}$	29 $\frac{15}{16}$	34	34	36	37	45 $\frac{7}{16}$	45 $\frac{7}{16}$	46 $\frac{1}{8}$
AJ	14 $\frac{3}{4}$	14 $\frac{3}{4}$	14 $\frac{3}{4}$	14 $\frac{3}{4}$	18 $\frac{1}{4}$	18 $\frac{1}{4}$	18 $\frac{1}{4}$	18 $\frac{1}{4}$	23	23	28 $\frac{3}{4}$
AK	13.501	13.501	13.501	13.501	13.501	13.501	13.501	13.501	13.501	13.501	22.005
BB	$\frac{3}{8} \times \frac{3}{16}$	$\frac{3}{8} \times \frac{3}{16}$	$\frac{5}{8} \times \frac{5}{16}$	$\frac{5}{8} \times \frac{5}{16}$	$\frac{5}{8} \times \frac{5}{16}$	$\frac{3}{4} \times \frac{3}{8}$	$\frac{3}{4} \times \frac{3}{8}$	$\frac{3}{4} \times \frac{3}{8}$	$\frac{7}{8} \times \frac{7}{16}$	$\frac{7}{8} \times \frac{7}{16}$	$\frac{7}{8} \times \frac{7}{16}$
BD	16 $\frac{1}{2}$	16 $\frac{1}{2}$	16 $\frac{1}{2}$	16 $\frac{1}{2}$	20	20	20	20	24 $\frac{1}{2}$	24 $\frac{1}{2}$	30 $\frac{1}{2}$
BF	1 $\frac{1}{16}$	1 $\frac{1}{16}$	1 $\frac{1}{16}$	1 $\frac{1}{16}$	1 $\frac{1}{16}$	1 $\frac{1}{16}$	1 $\frac{1}{16}$	1 $\frac{1}{16}$	1 $\frac{3}{16}$	1 $\frac{3}{16}$	1 $\frac{3}{16}$
BXmax.	1 $\frac{1}{2}$	1 $\frac{1}{2}$	1 $\frac{1}{2}$	1 $\frac{15}{16}$	1 $\frac{15}{16}$	1 $\frac{15}{16}$	2 $\frac{3}{16}$	2 $\frac{3}{16}$	2 $\frac{15}{16}$	2 $\frac{15}{16}$	4 $\frac{1}{4}$
BXmin.	$\frac{3}{4}$	$\frac{3}{4}$	$\frac{3}{4}$	1 $\frac{3}{16}$	1 $\frac{3}{16}$	1 $\frac{3}{16}$	1 $\frac{1}{2}$	1 $\frac{1}{2}$	1 $\frac{11}{16}$	1 $\frac{11}{16}$	2 $\frac{15}{16}$
Ctap	–	–	–	–	$\frac{5}{8}$ –11	$\frac{5}{8}$ –11	$\frac{5}{8}$ –11	$\frac{5}{8}$ –11	$\frac{5}{8}$ –11	$\frac{5}{8}$ –11	$\frac{3}{4}$ –10
CC	1.874	1.874	2.249	2.437	2.437	2.937	2.937	2.937	3.749	3.749	3.749
CD	17 $\frac{5}{8}$	22 $\frac{9}{16}$	22 $\frac{5}{8}$	24 $\frac{7}{8}$	29 $\frac{3}{16}$	29 $\frac{3}{16}$	31 $\frac{9}{16}$	32 $\frac{3}{4}$	40 $\frac{13}{16}$	40 $\frac{13}{16}$	37 $\frac{3}{4}$
DD	–	–	–	–	14 $\frac{3}{4}$	14 $\frac{3}{4}$	14 $\frac{3}{4}$	14 $\frac{3}{4}$	14 $\frac{3}{4}$	14 $\frac{3}{4}$	26
F (FAN)	3 $\frac{15}{16}$	3 $\frac{1}{2}$	3 $\frac{1}{2}$	4 $\frac{1}{2}$	4 $\frac{1}{8}$	4 $\frac{1}{16}$	3 $\frac{3}{8}$	3 $\frac{3}{8}$	3 $\frac{3}{8}$	3 $\frac{3}{8}$	7 $\frac{1}{2}$
G	1 $\frac{3}{16}$	$\frac{7}{8}$	$\frac{7}{8}$	$\frac{7}{8}$	$\frac{7}{8}$	$\frac{7}{8}$	$\frac{7}{8}$	$\frac{7}{8}$	1 $\frac{3}{4}$	1 $\frac{3}{4}$	1 $\frac{3}{4}$
H	8 $\frac{1}{2}$	11 $\frac{7}{16}$	11 $\frac{7}{16}$	11 $\frac{7}{16}$	13 $\frac{3}{4}$	13 $\frac{3}{4}$	13 $\frac{3}{4}$	13 $\frac{3}{4}$	18 $\frac{3}{4}$	18 $\frac{3}{4}$	16
I	17	18	18	18	20 $\frac{15}{16}$	21 $\frac{3}{4}$	21 $\frac{3}{4}$	21 $\frac{3}{4}$	28	29	34
J (SPRAG N.R.)	3 $\frac{13}{16}$	4 $\frac{5}{16}$	4 $\frac{1}{2}$	4 $\frac{1}{2}$	3 $\frac{15}{16}$	4 $\frac{13}{16}$	4 $\frac{5}{8}$	4 $\frac{5}{8}$	6 $\frac{7}{8}$	6 $\frac{13}{16}$	5
J (PIN TYPE N.R.)	4 $\frac{3}{4}$	5	5 $\frac{3}{16}$	5 $\frac{1}{4}$	5 $\frac{1}{16}$	5 $\frac{7}{8}$	5 $\frac{9}{16}$	5 $\frac{9}{16}$	–	–	–
K (SPRAG N.R.)	6 $\frac{9}{16}$	6 $\frac{7}{16}$	6 $\frac{3}{16}$	6 $\frac{3}{16}$	8 $\frac{1}{4}$	8 $\frac{1}{4}$	8 $\frac{1}{4}$	8 $\frac{1}{4}$	8 $\frac{3}{4}$	9 $\frac{13}{16}$	12 $\frac{1}{2}$
K (PIN TYPE N.R.)	5 $\frac{5}{8}$	5 $\frac{3}{4}$	5 $\frac{1}{2}$	5 $\frac{1}{2}$	7 $\frac{3}{16}$	7 $\frac{3}{16}$	7 $\frac{1}{8}$	7 $\frac{1}{8}$	–	–	–
L	1 $\frac{1}{4}$	1 $\frac{1}{2}$	1 $\frac{1}{2}$	1 $\frac{1}{2}$	1 $\frac{3}{4}$	1 $\frac{3}{4}$	1 $\frac{3}{4}$	1 $\frac{3}{4}$	1 $\frac{1}{4}$	1 $\frac{1}{4}$	2 $\frac{3}{8}$
Mnps	$\frac{1}{2}$	$\frac{1}{2}$	$\frac{1}{2}$	$\frac{1}{2}$	$\frac{1}{2}$	$\frac{1}{2}$	$\frac{1}{2}$	$\frac{1}{2}$	$\frac{1}{2}$	$\frac{1}{2}$	$\frac{1}{2}$
N	5 $\frac{5}{8}$	9 $\frac{1}{8}$	9 $\frac{1}{8}$	9 $\frac{1}{8}$	12 $\frac{3}{8}$	12 $\frac{3}{8}$	12 $\frac{3}{8}$	12 $\frac{3}{8}$	20	20	13
O	5 $\frac{3}{4}$	5 $\frac{3}{4}$	5 $\frac{3}{4}$	5 $\frac{3}{4}$	5 $\frac{3}{4}$	5 $\frac{3}{4}$	5 $\frac{3}{4}$	5 $\frac{3}{4}$	7 $\frac{1}{2}$	7 $\frac{1}{2}$	10
P	1 $\frac{3}{4}$	1 $\frac{7}{8}$	1 $\frac{7}{8}$	1 $\frac{7}{8}$	2 $\frac{1}{2}$	2 $\frac{1}{2}$	2 $\frac{1}{2}$	2 $\frac{1}{2}$	1 $\frac{1}{4}$	1 $\frac{1}{4}$	2 $\frac{1}{4}$
Q	3 $\frac{3}{8}$	3 $\frac{3}{4}$	3 $\frac{3}{4}$	3 $\frac{3}{4}$	4 $\frac{1}{2}$	4 $\frac{1}{2}$	4 $\frac{1}{2}$	4 $\frac{1}{2}$	3 $\frac{3}{16}$	3 $\frac{3}{16}$	11 $\frac{7}{16}$
Rnps	$\frac{1}{2}$	$\frac{1}{2}$	$\frac{1}{2}$	$\frac{1}{2}$	$\frac{1}{2}$	$\frac{1}{2}$	$\frac{1}{2}$	$\frac{1}{2}$	$\frac{1}{2}$	$\frac{1}{2}$	$\frac{1}{2}$
S	4 $\frac{1}{2}$	4 $\frac{5}{8}$	4 $\frac{5}{8}$	4 $\frac{5}{8}$	5 $\frac{7}{8}$	5 $\frac{7}{8}$	5 $\frac{7}{8}$	5 $\frac{7}{8}$	1 $\frac{1}{4}$	1 $\frac{1}{4}$	2 $\frac{1}{4}$
T	9 $\frac{1}{4}$	10 $\frac{3}{4}$	10 $\frac{3}{4}$	10 $\frac{3}{4}$	15 $\frac{5}{8}$	15 $\frac{5}{8}$	15 $\frac{5}{8}$	15 $\frac{5}{8}$	22	22	20
V	2	2	2	2 $\frac{1}{2}$	2 $\frac{1}{2}$	2 $\frac{1}{2}$	3	3	4	4	5
W	5 $\frac{1}{4}$	6 $\frac{1}{2}$	6 $\frac{1}{2}$	6 $\frac{1}{2}$	7 $\frac{3}{4}$	7 $\frac{3}{4}$	7 $\frac{3}{4}$	7 $\frac{3}{4}$	12	12	8 $\frac{11}{16}$
Net wt.	250	320	335	380	680	690	740	745	1500	1810	3000
Domestic wt. (lb.)	275	345	360	406	718	728	778	783	1547	1857	3100
Export wt. (lb.)	340	420	435	480	820	830	880	885	1,720	2030	3250
Export cu. ft.	9.5	9.5	9.5	10.3	17.5	17.5	17.5	17.5	38.9	38.9	55
Oil cap. (qts)	6	7	7	7	13	13	13	13	24	24	80



BX BORE	X KEYWAY	BY TAP	BZ B.C.
3/4	3/16 × 3/32	10-32	1.375
7/8	1/4 × 1/8	10-32	1.375
1	1/4 × 1/8	10-32	1.375
1 1/16	1/4 × 1/8	10-32	1.375
1 3/16	1/4 × 1/8	1/4-20	1.750
1 1/4	1/4 × 1/8	1/4-20	1.750
1 7/16	3/8 × 3/16	1/4-20	2.125
1 1/2	3/8 × 3/16	1/4-20	2.125
1 11/16	3/8 × 3/16	1/4-20	2.500
1 3/4	3/8 × 3/16	1/4-20	2.500
1 15/16	1/2 × 1/4	1/4-20	2.500
2	1/2 × 1/4	1/4-20	2.500
2 3/46	1/2 × 1/4	3/8-16	3.250
2 1/4	1/2 × 1/4	3/8-16	3.250
2 7/16	5/8 × 5/16	3/8-16	3.250
2 1/2	5/8 × 5/16	3/8-16	3.750
2 11/16	5/8 × 5/16	3/8-16	3.750
2 3/4	5/8 × 5/16	3/8-16	3.750
2 15/16	3/4 × 3/8	3/8-16	3.750
3 3/16	3/4 × 3/8	3/8-16	4.250
3 7/16	7/8 × 7/16	3/8-16	4.750
3 1/2	7/8 × 7/16	3/8-16	4.750
3 11/16	7/8 × 7/16	3/8-16	4.750
3 3/4	7/8 × 7/16	3/8-16	4.750
4	1 × 1/2	3/8-16	4.750
4 1/4	1 × 1/2	3/8-16	5.000

TORONTO

23 BERTRAND AVENUE,
TORONTO, ONTARIO,
CANADA, M1L 2P3
+1 416 755 2291

BUFFALO

93 EAST AVENUE, NORTH
TONAWANDA, NEW YORK,
USA, 14120-6594
+1 716 693 8813

DROITWICH SPA

POINTON WAY, STONEBRIDGE CROSS
BUSINESS PARK, DROITWICH SPA,
WORCESTERSHIRE,
UNITED KINGDOM, WR9 0LW
+44 8444 145 145

MANCHESTER

WOLVERTON STREET, MANCHESTER
UNITED KINGDOM, M11 2ET
+44 8444 145 145

BANGALORE

#18, LEWIS WORKSPACE, 3RD FLOOR,
OFF MILLERS - NANDIDURGA ROAD,
JAYAMAHAL CBD, BENSON TOWN,
BANGALORE, INDIA 560 046
+91 80 4906 3555

SHANGHAI

UNIT 903, 888 NORTH SICHUAN RD.
HONGKOU DISTRICT, SHANGHAI
CHINA, 200085
+86 21 5237 0909

BEIJING

ROOM 1612, NANYIN BUILDING NO.2
NORTH EAST THRID RING ROAD
CHAOYANG DISTRICT, BEIJING,
CHINA 100027
+86 21 5237 0909

SÃO PAULO

RUA JOSÉ SEMIÃO RODRIGUES
AGOSTINHO, 1370 GALPÃO 6 EMBU
DAS ARTES, SAO PAULO, BRAZIL
+55 11 4785 1330

LYON

93 RUE DE LA VILLETTE
LYON, 69003 FRANCE
+33 4 20 10 26 21

DUBAI

JAFZA VIEW 19, OFFICE 402
P.O. BOX 18226 JAFZA,
DUBAI - UNITED ARAB EMIRATES
+971 4 887 6775

JIMBOLIA

STR CALEA MOTILOR NR. 2C
JIMBOLIA 305400, JUD.TIMIS
ROMANIA
+40 256 360 030

FRANKFURT

WESTERBACHSTRASSE 32,
D-61476 KRONBERG IM TAUNUS
GERMANY
+49 6173 999 77 55

ARMSTRONG FLUID TECHNOLOGY®
ESTABLISHED 1934

ARMSTRONGFLUIDTECHNOLOGY.COM