

VERTICAL TURBINE DIESEL FIRE PUMP | 12x18M VTF WITH 12x24½ FABRICATED STEEL HEAD | SUBMITTAL

File No: F51.638
Date: APRIL 10, 2025
Supersedes: F51.638
Date: JULY 15, 2013

Job: _____ Representative: _____

Order no.: _____ Date: _____

Engineer: _____ Submitted by: _____ Date: _____

Contractor: _____ Approved by: _____ Date: _____

Model: 12x18M VTF **Discharge head:** 12x24½ F

RPM: 1770 Water lube

3500 GPM: _____ T.D.H

- FM UL NFPA-20 only
- Approval Construction
- Engine model: _____
- Ragd model: _____
- Shaft model: _____
- Controller model: _____

NOTES

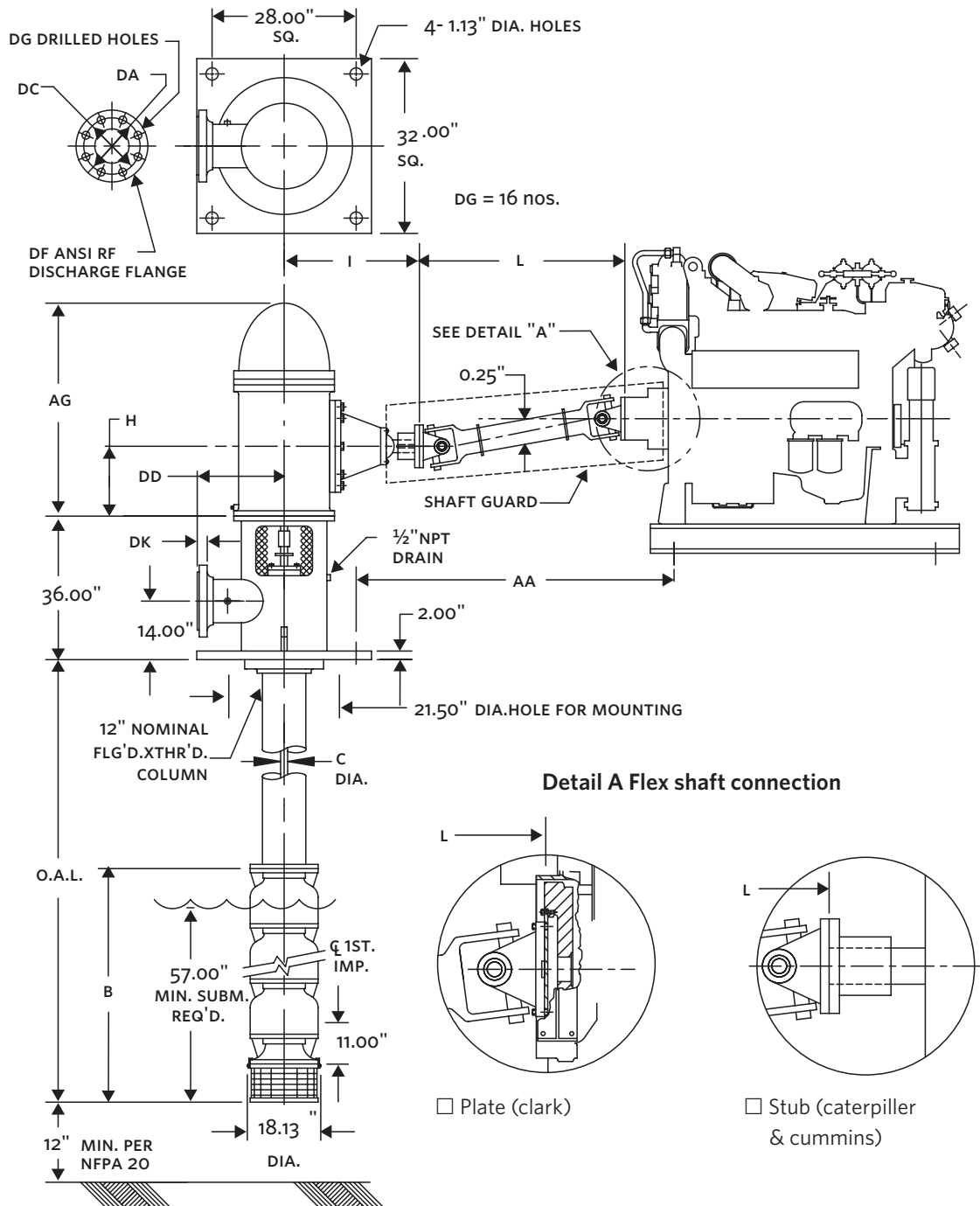
- Dimension based on randolph gear drive. May vary when driver adaptor is required.
- Dimensions are in inches unless otherwise indicated.
- Engine to base mounting and cooling loop to be field installed and plumbed.
- Engine oil & anti freeze/coolant may not be included.
- Gear shipped filled with oil. Check level before installation.
- Refer dwg. no. _____ for Engine dimensions.
- Not to be used for construction unless certified.

| PRESS RATE | DISCHARGE FLANGE INCH (mm) | | | | | |
|------------|----------------------------|----------------|----------------|----------------|--------------|--------------|
| | DA | DC | DD | DF | DG | DK |
| 300# | 20.50 (521) | 17.75 (451) | 17.00 (432) | 12.00 (304) | 1.25 (32) | 2.00 (51) |



| NO OF STG'S | DISCHARGE SIZE | RATING | RAGD | AG* | B | C | H* | I* | L | AA |
|-------------|----------------|--------|---------|--------------|--------------|-----------|-------------|-------------|---|----|
| | INCH (mm) | | HP | INCH (mm) | | | | | | |
| 3 | 12.00 (305) | 300 | 500-590 | 45.44 (1154) | 66.50 (1689) | 2.25 (57) | 18.75 (476) | 28.00 (711) | — | — |
| 4 | 12.00 (305) | 300 | 500-750 | 45.44 (1154) | 79.00 (2007) | 2.25 (57) | 18.75 (476) | 28.00 (711) | — | — |

* Dimension based on randolph gear drive. May vary when driver adaptor is required.



TORONTO
+1 416 755 2291

BUFFALO
+1 716 693 8813

DROITWICH SPA
+44 8444 145 145

MANCHESTER
+44 8444 145 145

BANGALORE
+91 80 4906 3555

SHANGHAI
+86 21 5237 0909

BEIJING
+86 21 5237 0909

SÃO PAULO
+55 11 4785 1330

LYON
+33 4 20 10 26 21

DUBAI
+971 4 887 6775

JIMBOLIA
+40 256 360 030

FRANKFURT
+49 6173 999 77 55