

## VERTICAL TURBINE DIESEL FIRE PUMP | 8×14M VTF WITH 8×16½ CAST IRON HEAD | SUBMITTAL

File No: F51.614  
Date: APRIL 10, 2025  
Supersedes: F51.614  
Date: JULY 15, 2013

Job: \_\_\_\_\_ Representative: \_\_\_\_\_

\_\_\_\_\_ Order no.: \_\_\_\_\_ Date: \_\_\_\_\_

Engineer: \_\_\_\_\_ Submitted by: \_\_\_\_\_ Date: \_\_\_\_\_

Contractor: \_\_\_\_\_ Approved by: \_\_\_\_\_ Date: \_\_\_\_\_

**Model:** 8×14M VTF      **Discharge head:** 8×16½ A

**RPM:** 1770 Water lube

**1000 GPM:** \_\_\_\_\_ T.D.H

- FM       UL       NFPA-20 only
- Approval     Construction
- Engine model: \_\_\_\_\_
- Ragd model: \_\_\_\_\_
- Shaft model: \_\_\_\_\_
- Controller model: \_\_\_\_\_

### NOTES

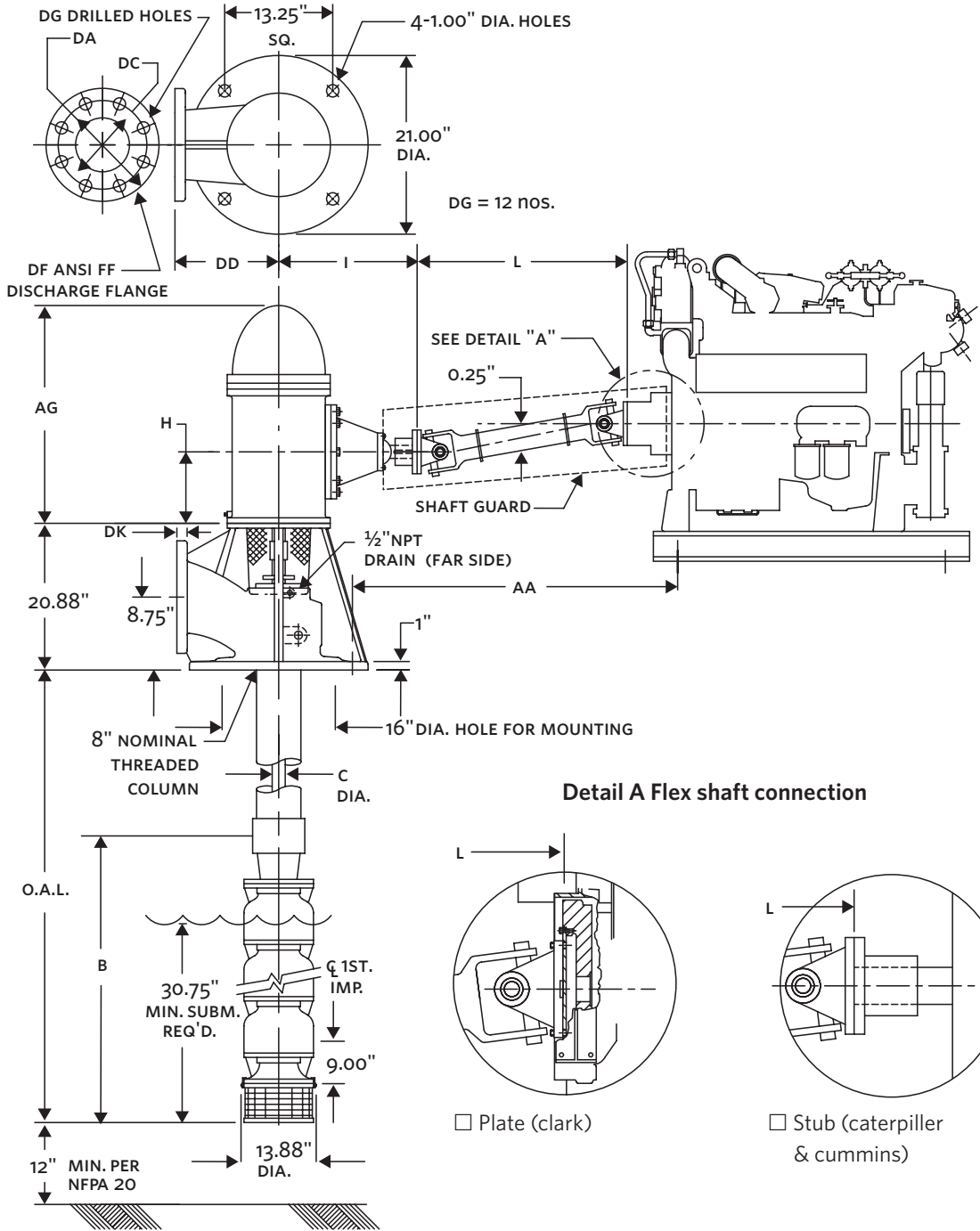
- Dimension based on randolph gear drive. May vary when driver adaptor is required.
- Dimensions are in inches unless otherwise indicated.
- Engine to base mounting and cooling loop to be field installed and plumbed.
- Engine oil & anti freeze/coolant may not be included.
- Gear shipped filled with oil. Check level before installation.
- Refer dwg. no. \_\_\_\_\_ for Engine dimensions.
- Not to be used for construction unless certified.

PRESS RATE	DISCHARGE FLANGE INCH (mm)					
	DA	DC	DD	DF	DG	DK
250 #	15.00 (381)	13.00 (330)	12.00 (305)	8.00 (203)	1.00 (25)	1.63 (41)



NO OF STG'S	DISCHARGE SIZE	RATING	RAGD	AG*	B	C	H*	I*	L	AA
	INCH (mm)		HP	INCH (mm)						
3	8.00 (203)	125	125-150	26.69 (678)	55.63 (1413)	1.25 (32)	11.44 (291)	18.00 (457)	—	—
4	8.00 (203)	125	125-150	26.69 (678)	65.50 (1664)	1.25 (32)	11.44 (291)	18.00 (457)	—	—
4	8.00 (203)	250	150	26.69 (678)	65.50 (1664)	1.50 (38)	11.44 (291)	18.00 (457)	—	—
4	8.00 (203)	250	200	34.00 (864)	65.50 (1664)	1.50 (38)	13.75 (349)	20.94 (532)	—	—
5	8.00 (203)	250	200	34.00 (864)	75.38 (1915)	1.50 (38)	13.75 (349)	20.94 (532)	—	—
5	8.00 (203)	250	250	34.00 (864)	75.38 (1915)	1.50 (38)	13.75 (349)	21.75 (553)	—	—
5	8.00 (203)	250	250	34.00 (864)	75.38 (1915)	1.69 (43)	13.75 (349)	21.75 (553)	—	—
6	8.00 (203)	250	250-300	34.00 (864)	85.75 (2178)	1.69 (43)	13.75 (349)	21.75 (553)	—	—
7	8.00 (203)	250	300	34.00 (864)	95.13 (2416)	1.94 (49)	13.75 (349)	21.75 (553)	—	—
8	8.00 (203)	250	300	34.00 (864)	105.00 (2667)	1.94 (49)	13.75 (349)	21.75 (553)	—	—

\* Dimension based on randolph gear drive. May vary when driver adaptor is required.



TORONTO  
+1 416 755 2291

BUFFALO  
+1 716 693 8813

DROITWICH SPA  
+44 8444 145 145

MANCHESTER  
+44 8444 145 145

BANGALORE  
+91 80 4906 3555

SHANGHAI  
+86 21 5237 0909

BEIJING  
+86 21 5237 0909

SÃO PAULO  
+55 11 4785 1330

LYON  
+33 4 20 10 26 21

DUBAI  
+971 4 887 6775

JIMBOLIA  
+40 256 360 030

FRANKFURT  
+49 6173 999 77 55