

HORIZONTAL SPLIT CASE PUMP | SERIES 4600F | SUBMITTAL

File No: F46.49
Date: JULY 18, 2023
Supersedes: F46.49
Date: DECEMBER 27, 2022

Job: _____ Representative: _____
 _____ Order no.: _____ Date: _____
 Engineer: _____ Submitted by: _____ Date: _____
 Contractor: _____ Approved by: _____ Date: _____

NOTES

- 1 Std. Discharge flange thickness ANSI 250#.
- 2 Do not use for construction unless certified.

To be indicated by customer

Suction side (viewed from driver end)

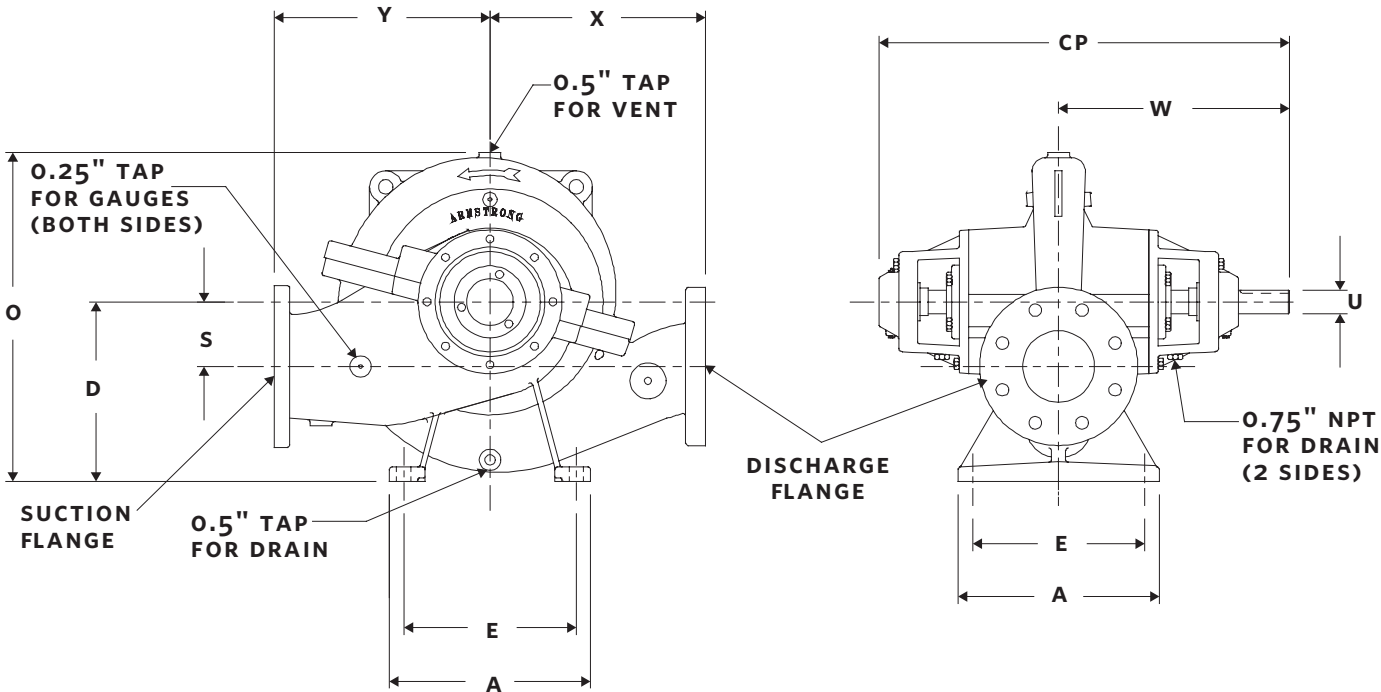
- Right hand (shown) Left hand

FIRE PUMP LISTING

- UL
- ULC
- FM

FLANGE RATING

- ANSI 125# STD¹
- ANSI 250# Suction
- ANSI 125# Suction
- 250# Discharge
- 250# Discharge
- PN 16



2

PUMP	FLANGE		DIMENSIONS inches (mm)										WEIGHT
	SUCT.	DISC.	A	CP	D	E	O	S	U	W	X	Y	lbs (kg)
5×4×10	5	4	14.00 (356)	28.50 (724)	11.00 (279)	12.00 (305)	18.19 (462)	4.50 (114)	1.63 (41)	16.00 (406)	12.00 (305)	12.00 (305)	400 (181.4)
5×4×12	5	4	14.00 (356)	28.50 (724)	11.00 (279)	12.00 (305)	19.00 (483)	4.50 (114)	1.63 (41)	16.00 (406)	13.00 (330)	13.00 (330)	420 (190.5)
5×4×17	5	4	14.00 (356)	28.50 (724)	14.50 (368)	12.00 (305)	24.88 (632)	10.18 (259)	1.63 (41)	16.00 (406)	11.63 (295)	13.25 (336)	420 (190.5)
6×5×9.5	6	5	14.00 (356)	28.50 (724)	11.00 (279)	12.00 (305)	18.75 (476)	4.50 (114)	1.63 (41)	16.00 (406)	12.00 (305)	12.00 (305)	425 (192.8)
6×5×10	6	5	14.00 (356)	28.50 (724)	11.00 (279)	12.00 (305)	18.75 (476)	4.50 (114)	1.63 (41)	16.00 (406)	12.00 (305)	12.00 (305)	425 (192.8)
6×5×12	6	5	14.00 (356)	28.50 (724)	11.00 (279)	12.00 (305)	19.38 (492)	4.50 (114)	1.63 (41)	16.00 (406)	15.00 (381)	15.00 (381)	475 (215.4)
6×5×15	6	5	14.00 (356)	28.50 (724)	12.50 (317)	12.00 (305)	23.00 (584)	4.50 (114)	1.63 (41)	16.00 (406)	15.00 (381)	15.00 (381)	525 (238.1)
8×6×10	8	6	14.00 (356)	30.50 (775)	11.00 (279)	12.00 (305)	18.94 (481)	4.50 (114)	1.63 (41)	17.00 (432)	14.00 (356)	14.00 (356)	540 (244.9)
8×6×12.5	8	6	14.00 (356)	30.50 (775)	12.50 (317)	12.00 (305)	21.44 (545)	5.75 (146)	1.63 (41)	17.00 (432)	15.00 (381)	15.00 (381)	600 (272.1)
8×6×15	8	6	14.00 (356)	30.50 (775)	12.50 (317)	12.00 (305)	22.75 (578)	5.75 (146)	1.63 (41)	17.00 (432)	16.00 (406)	16.00 (406)	665 (301.6)
8×6×16	8	6	14.00 (356)	30.50 (775)	12.50 (317)	12.00 (305)	23.23 (590)	5.75 (146)	1.63 (41)	17.00 (432)	16.00 (406)	16.00 (406)	665 (301.6)
10×8×11	10	8	14.00 (356)	30.50 (775)	12.50 (317)	12.00 (305)	20.94 (532)	4.50 (114)	1.63 (41)	17.00 (432)	16.00 (406)	16.00 (406)	700 (317.5)
10×8×14	10	8	14.00 (356)	30.50 (775)	14.50 (368)	12.00 (305)	24.25 (616)	5.75 (146)	1.63 (41)	17.00 (432)	16.00 (406)	16.00 (406)	685 (310.7)
10×8×20F	10	8	20.00 (508)	37.75 (959)	23.14 (588)	18.00 (457)	39.07 (992)	14.00 (356)	2.13 (54)	21.26 (540)	17.99 (457)	20.38 (518)	1649 (748.0)
12×8×18	12	8	26.00 (660)	40.34 (1025)	23.25 (590)	23.00 (584)	38.00 (965)	12.75 (324)	2.13 (54)	22.00 (559)	18.00 (457)	21.00 (533)	2077 (942.1)
12×8×20F	12	8	20.00 (508)	37.75 (959)	23.14 (588)	18.00 (457)	38.53 (979)	12.82 (326)	2.13 (54)	21.26 (540)	18.88 (479)	20.31 (516)	1740 (789)
14×10×20F	14	10	26.00 (660)	52.73 (1339)	25.50 (648)	21.00 (533)	40.63 (1032)	13.25 (337)	2.63 (67)	29.73 (755)	20.00 (508)	21.50 (546)	2464 (1117.5)

NOTE: All dimensions are in inches(mm) and weights are in lbs(kg).

TORONTO

23 BERTRAND AVENUE,
TORONTO, ONTARIO,
CANADA, M1L 2P3
+1 416 755 2291

BUFFALO

93 EAST AVENUE, NORTH
TONAWANDA, NEW YORK,
U.S.A., 14120-6594
+1 716 693 8813

DROITWICH SPA

POINTON WAY, STONEBRIDGE CROSS
BUSINESS PARK, DROITWICH SPA,
WORCESTERSHIRE,
UNITED KINGDOM, WR9 0LW
+44 121 550 5333

MANCHESTER

WOLVERTON STREET, MANCHESTER
UNITED KINGDOM, M11 2ET
+44 161 223 2223

BANGALORE

#18, LEWIS WORKSPACE, 3RD FLOOR,
OFF MILLERS - NANDIDURGA ROAD,
JAYAMAHAL CBD, BENSON TOWN,
BANGALORE, INDIA 560 046
+91 80 4906 3555

SHANGHAI

UNIT 903, 888 NORTH SICHUAN RD.
HONGKOU DISTRICT, SHANGHAI
CHINA, 200085
+86 21 5237 0909

BEIJING

ROOM 1612, NANYIN BUILDING NO.2
NORTH EAST THRID RING ROAD
CHAOYANG DISTRICT, BEIJING,
CHINA 100027
+86 21 5237 0909

SÃO PAULO

RUA JOSÉ SEMIÃO RODRIGUES
AGOSTINHO, 1370 GALPÃO 6 EMBU
DAS ARTES, SAO PAULO, BRAZIL
+55 11 4785 1330

LYON

93 RUE DE LA VILLETTE
LYON, 69003 FRANCE
+33 4 26 83 78 74

DUBAI

JAFZA VIEW 19, OFFICE 402
P.O.BOX 18226 JAFZA,
DUBAI - UNITED ARAB EMIRATES
+971 4 887 6775

JIMBOLIA

STR CALEA MOTILOR NR. 2C
JIMBOLIA 305400, JUD.TIMIS
ROMANIA
+40 256 360 030

FRANKFURT

WESTERBACHSTRASSE 32,
D-61476 KRONBERG IM TAUNUS
GERMANY
+49 6173 999 77 55

ARMSTRONG FLUID TECHNOLOGY®
ESTABLISHED 1934

ARMSTRONGFLUIDTECHNOLOGY.COM