

GVI VENTURI TYPE FLOW METER | SUBMITTAL

File No: F43-459
Date: JANUARY 04, 2019
Supersedes: F43-459
Date: FEBRUARY 19, 2016

Job: _____ Representative: _____

Order No: _____ Date: _____

Engineer: _____ Submitted by: _____ Date: _____

Contractor: _____ Approved by: _____ Date: _____

CONSTRUCTION & SPECIFICATIONS

Materials: Machined 1026 carbon steel

Valves: 1/4" brass ball

Flange option: 150# ANSI B 16.5
300# ANSI B 16.5

Id tag: Aluminum

METER DATA

Dial standard: 4"

Construction: Aluminum body

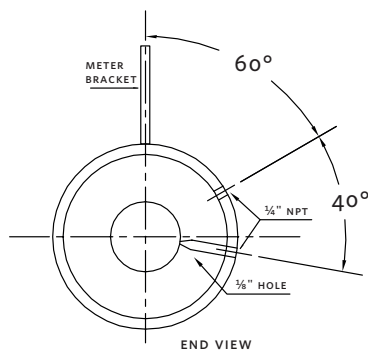
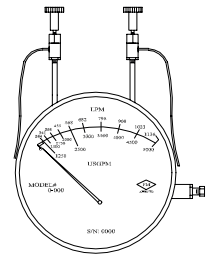
Operation: Diaphragm (BUNA convoluted)

Accuracy: +2% full scale

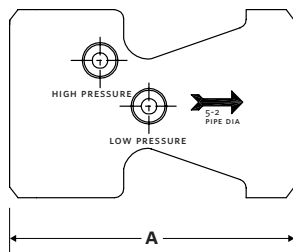
Temperature: 180°F (80°C)

Pressure: 500 PSIG (3450 kpa)

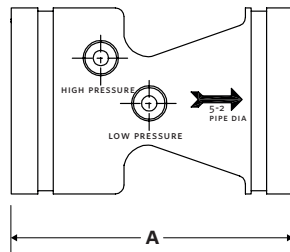
Approx. Weight: 3.75 lbs (1.7 kg)



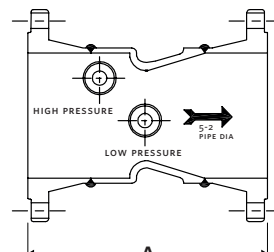
BUTT WELD/GROOVED



BUTT WELD



GROOVED



FLANGED

2

PIPE SIZE	FLOW USGPM	METER RANGE MIN & MAX GPM	BUTT WELD / GROOVED		150 # FLANGE		300# FLANGE	
			A	WEIGHTS	A	WEIGHTS	A	WEIGHTS
2"	50	25-100.00	5.00 (127)	11 (5.0)	—	25 (11.3)	—	—
2½"	100	50-200	4.00 (102)	11 (5.0)	9.30 (236)	25 (11.3)	10.00 (254)	35 (15.9)
3"	150	75-300	4.00 (102)	13 (5.8)	9.40 (239)	40 (18.1)	10.30 (262)	50 (22.7)
	200	100-400						
4"	250	125-500	5.40 (137)	15 (6.8)	11.40 (290)	50 (22.7)	12.10 (307)	65 (29.5)
	300	150-600						
	400	200-800						
	450	225-900						
5"	450	225-900	6.00 (152)	20 (9.1)	13.00 (330)	60 (27.2)	13.70 (348)	80 (36.3)
	500	250-1000						
6"	750	375-1500	7.00 (178)	25 (11.3)	14.00 (356)	75 (34.0)	14.80 (376)	115 (52.2)
	1000	500-2000						
8"	1250	625-2500	7.30 (185)	35 (15.9)	15.30 (389)	120 (54.4)	16.00 (406)	175 (79.4)
	1000	500-2000						
	1250	625-2500						
	1500	750-3000						
	2000	1000-4000						
10"	2500	1250-5000	8.00 (203)	60 (27.2)	16.00 (406)	170 (77.1)	17.30 (439.4)	225 (102.1)
	3000	1500-6000						
	3500	1750-7000						
	4000	2000-8000						
	4500	2250-9000						
	5000	2500-10000						
12"	2500	1250-5000	10.00 (254)	65 (29.5)	19.00 (483)	225 (102.1)	20.25 (514)	345 (156.5)
	3000	1500-6000						
	3500	1750-7000						
	4000	2000-8000						
	4500	2500-10000						

NOTE: Dimensions are in inches (mm); Weights are in lbs (kg)

TORONTO

+1 416 755 2291

BUFFALO

+1 716 693 8813

BIRMINGHAM

+44 (0) 8444 145 145

MANCHESTER

+44 (0) 8444 145 145

BANGALORE

+91 (0) 80 4906 3555

SHANGHAI

+86 21 3756 6696

SÃO PAULO

+55 11 4785 1330