

BATTERY SYSTEM | SUBMITTAL DRAWING

File No: F43-455
 Date: JULY 10, 2024
 Supersedes: F43-455
 Date: AUGUST 10, 2016

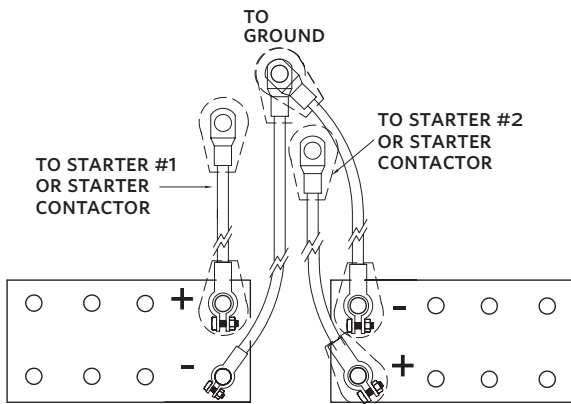
Job: _____ Representative: _____

Order No: _____ Date: _____

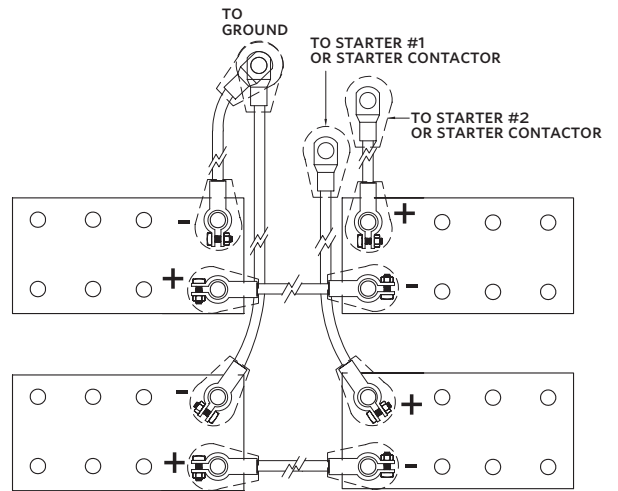
Engineer: _____ Submitted by: _____ Date: _____

Contractor: _____ Approved by: _____ Date: _____

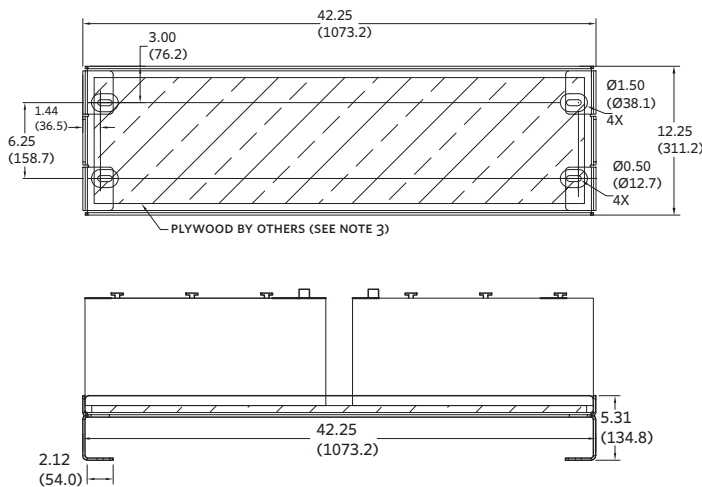
12 VOLT DUAL BATTERY SYSTEM LEAD-ACID TYPE



24 VOLT DUAL BATTERY SYSTEM LEAD-ACID TYPE



BATTERY RACK



DIMENSIONS

Single Battery: 12V and 24V

Length:	20.75 (527.0)
Width:	11.00 (279.0)
Height:	10.00 (254.0)
System dry weight:	80 (36.4)

NOTES:

- All cables are size awg# 2/0 (70mm²).
Cables from battery to engine are 72" (1829mm);
Battery to battery jumper cables are 12" (305mm).
- Acid not supplied.
- Battery should set into battery rack on 1/2" plywood (or equal) to provide insulation and support.
- Dimensions are not used for construction purposes unless certified.
- Data subject to change without notice.
- All dimensions are in inches (mm); weight are in lbs(kg).

TORONTO

23 BERTRAND AVENUE,
TORONTO, ONTARIO,
CANADA, M1L 2P3
+1 416 755 2291

BUFFALO

93 EAST AVENUE, NORTH
TONAWANDA, NEW YORK,
USA, 14120-6594
+1 716 693 8813

DROITWICH SPA

POINTON WAY, STONEBRIDGE CROSS
BUSINESS PARK, DROITWICH SPA,
WORCESTERSHIRE,
UNITED KINGDOM, WR9 0LW
+44 121 550 5333

MANCHESTER

WOLVERTON STREET, MANCHESTER
UNITED KINGDOM, M11 2ET
+44 161 223 2223

BANGALORE

#18, LEWIS WORKSPACE, 3RD FLOOR,
OFF MILLERS - NANDIDURGA ROAD,
JAYAMAHAL CBD, BENSON TOWN,
BANGALORE, INDIA 560 046
+91 80 4906 3555

SHANGHAI

UNIT 903, 888 NORTH SICHUAN RD.
HONGKOU DISTRICT, SHANGHAI
CHINA, 200085
+86 21 5237 0909

BEIJING

ROOM 1612, NANYIN BUILDING NO.2
NORTH EAST THRID RING ROAD
CHAOYANG DISTRICT, BEIJING,
CHINA 100027
+86 21 5237 0909

SÃO PAULO

RUA JOSÉ SEMIÃO RODRIGUES
AGOSTINHO, 1370 GALPÃO 6 EMBU
DAS ARTES, SAO PAULO, BRAZIL
+55 11 4785 1330

LYON

93 RUE DE LA VILLETTE
LYON, 69003 FRANCE
+33 4 20 10 26 21

DUBAI

JAFZA VIEW 19, OFFICE 402
P.O. BOX 18226 JAFZA,
DUBAI - UNITED ARAB EMIRATES
+971 4 887 6775

JIMBOLIA

STR CALEA MOTILOR NR. 2C
JIMBOLIA 305400, JUD.TIMIS
ROMANIA
+40 256 360 030

FRANKFURT

WESTERBACHSTRASSE 32,
D-61476 KRONBERG IM TAUNUS
GERMANY
+49 6173 999 77 55

ARMSTRONG FLUID TECHNOLOGY®
ESTABLISHED 1934

ARMSTRONGFLUIDTECHNOLOGY.COM