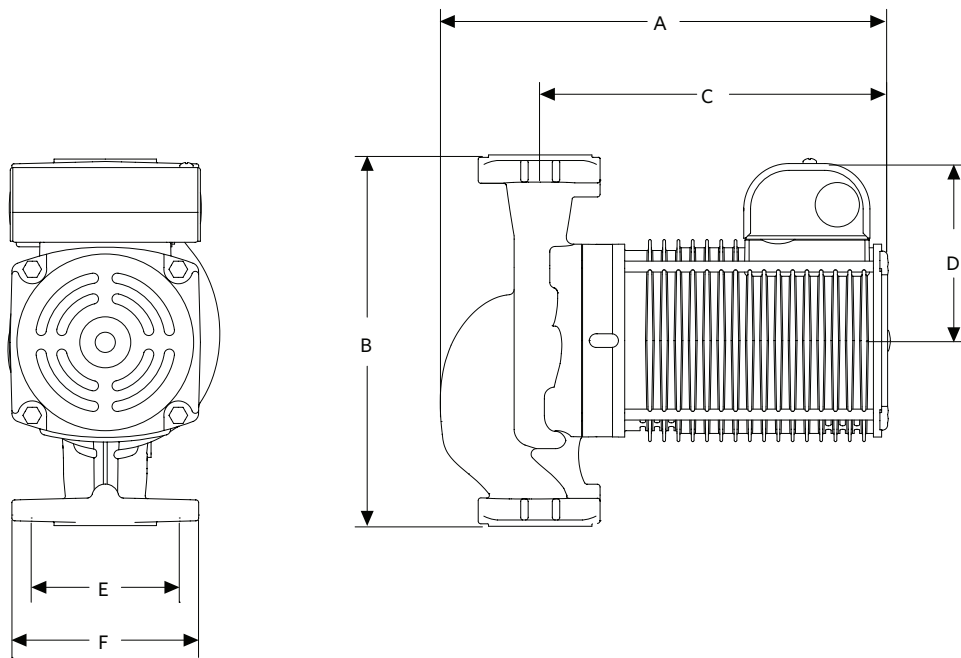




DIMENSIONS inches (mm)									SHIP. WEIGHT
MODEL	BODY	A	B	C	D	E	F	CASING FLANGE SIZE & TYPE	lbs (kgs)
E29.2	Cast iron	11.35 (286)	8.50 (215)	8.35 (210)	4.00 (101)	3.50 (89)	6.00 (152)	3" diameter 4-bolt flanges	26.8 (12.16)
E29.2B	Bronze	11.35 (286)	8.50 (215)	8.35 (210)	4.00 (101)	3.50 (89)	6.00 (152)	3" diameter 4-bolt flanges	29.2 (13.24)



TORONTO  
+1 416 755 2291

BUFFALO  
+1 716 693 8813

DROITWICH SPA  
+44 8444 145 145

MANCHESTER  
+44 8444 145 145

BANGALORE  
+91 80 4906 3555

SHANGHAI  
+86 21 5237 0909

SÃO PAULO  
+55 11 4785 1330

LYON  
+33 4 26 83 78 74

DUBAI  
+971 4 887 6775

MANNHEIM  
+49 621 3999 9858

JIMBOLIA  
+40 256 360 030