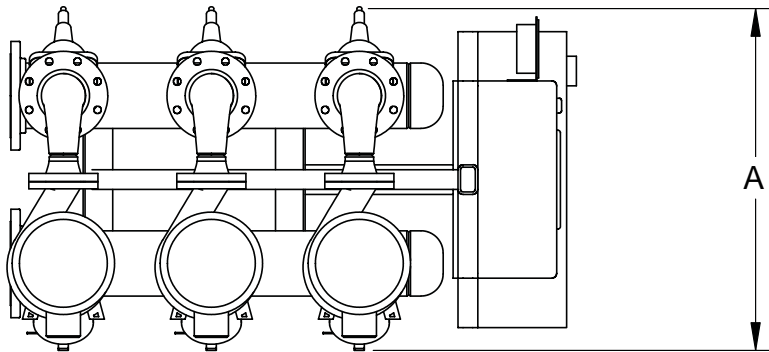


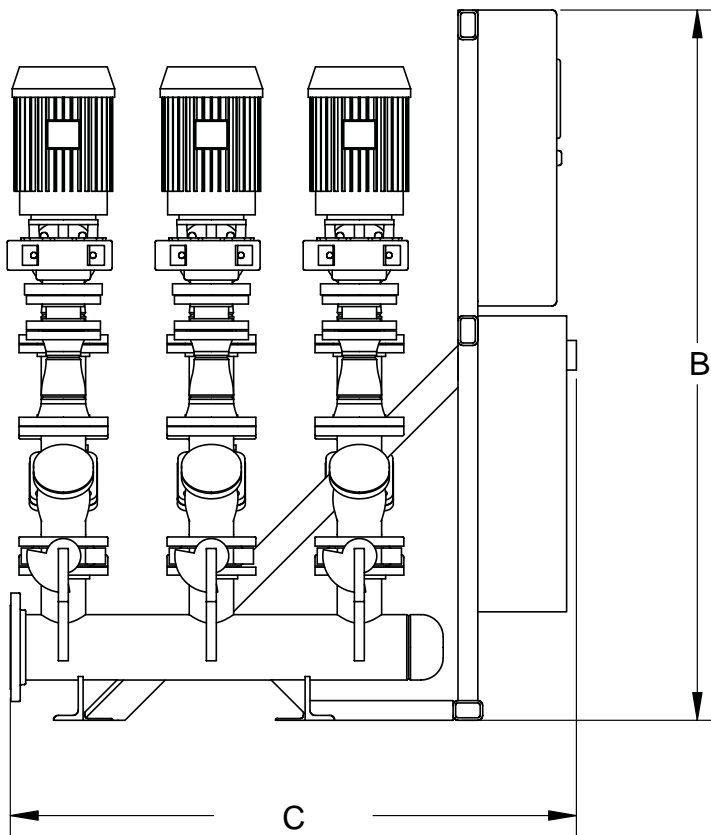
## ARMPak 6 - 4280V Variable Speed Triplex

## SUBMITTAL



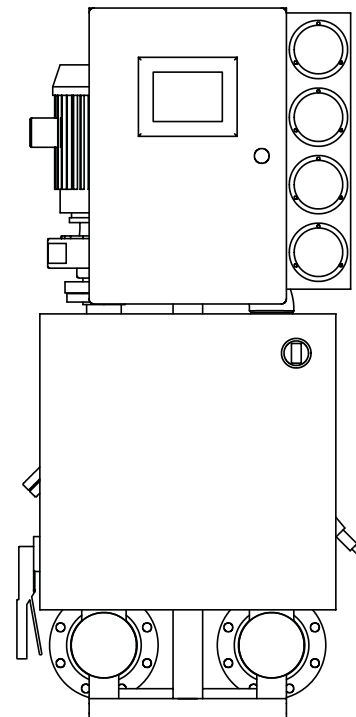
A

NOTE:  
SYSTEM SHOWN WITH  
OPTIONAL TOUCH SCREEN



B

C



DIMENSIONS inches (mm)		
A (max.)	B	C (max.)
37.50 (952)	72.00 (1829)	58.00 (1473)

PROJECT:		DATE:	
ORDER NO.:	DWG #:	DATE: 07/05/03	
CERTIFIED BY:	ARMPak 6 D 8 VS 0310	REVISED:	

Armstrong Pumps Inc.  
93 East Avenue  
North Tonawanda, New York  
U.S.A. 14120-6594  
Tel: (716) 693-8813  
Fax: (716) 693-8970  
www.armstrongpumps.com

S.A. Armstrong Limited  
23 Bertrand Avenue  
Toronto, Ontario  
Canada, M1L 2P3  
Tel: (416) 755-2291  
Fax: (416) 759-9101



© S.A. Armstrong Limited 2003

Armstrong Pumps Limited  
Peartree Road, Stanway  
Colchester, Essex  
United Kingdom, CO3 0LP  
Tel: +44 (0) 1206 579491  
Fax: +44 (0) 1206 760532

Armstrong Darling  
9001 De L'Innovation, Suite 200  
Montreal, Quebec  
Canada, H1J 2X9  
Tel: (514) 352-2424  
Fax: (514) 352-2425

