

Series 4700 Vertical Multi-Stage Pump

VMS 18

SUBMITTAL



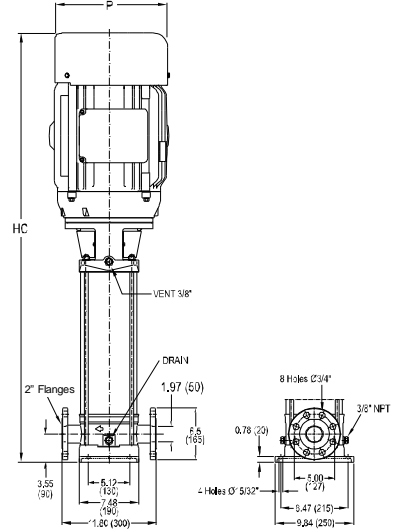
JOB: _____	REPRESENTATIVE: _____
ENGINEER: _____	ORDER NO: _____ DATE: _____
CONTRACTOR: _____	SUBMITTED BY: _____ DATE: _____
	APPROVED BY: _____ DATE: _____

PUMP DESIGN DATA			
NO. OF PUMPS: _____			
TAG: _____			
CAPACITY:	USgpm (L/s)	HEAD:	ft. (m)
LIQUID:		VISCOSITY:	
TEMPERATURE:		SPECIFIC GRAVITY:	
FLANGE SIZE:	SUCTION - 2" (51 mm)	DISCHARGE - 2" (51 mm)	
MAXIMUM WORKING TEMPERATURE: 250°F (120°C)			

MATERIALS OF CONSTRUCTION	
FLANGE RATING	ANSI 250
PUMP CASING	EN 1.4301 (AISI 304)
IMPELLERS	EN 1.4301 (AISI 304)
STAGE CASING	EN 1.4301 (AISI 304)
DIFFUSERS	EN 1.4301 (AISI 304)
PUMP SHAFT	EN 1.4401 (AISI 316)
JACKET TUBE	EN 1.4301 (AISI 304)
OTHER COMPONENTS	
INTERMEDIATE BEARING	TUNGSTEN CARBIDE
"O" RINGS	FPM
MOTOR PEDESTAL	Cast iron EN-GJL-200-EN 1561
PUMP BASE	Cast iron EN-GJL-200-EN 1561
MECHANICAL SEAL FACES	Silicon carbide/Carbon/FPM

REMARKS

MOTOR DESIGN DATA			
HP:		RPM:	3000
FRAME SIZE:		ENCLOSURE:	<input type="checkbox"/> ODP <input type="checkbox"/> TEFC
VOLTS:	HERTZ : 50	PHASE:	<input type="checkbox"/> 1 <input type="checkbox"/> 3
EFFICIENCY: <input type="checkbox"/> ENERGY EFF <input type="checkbox"/> NEMA PREMIUM LEVEL _____ %			

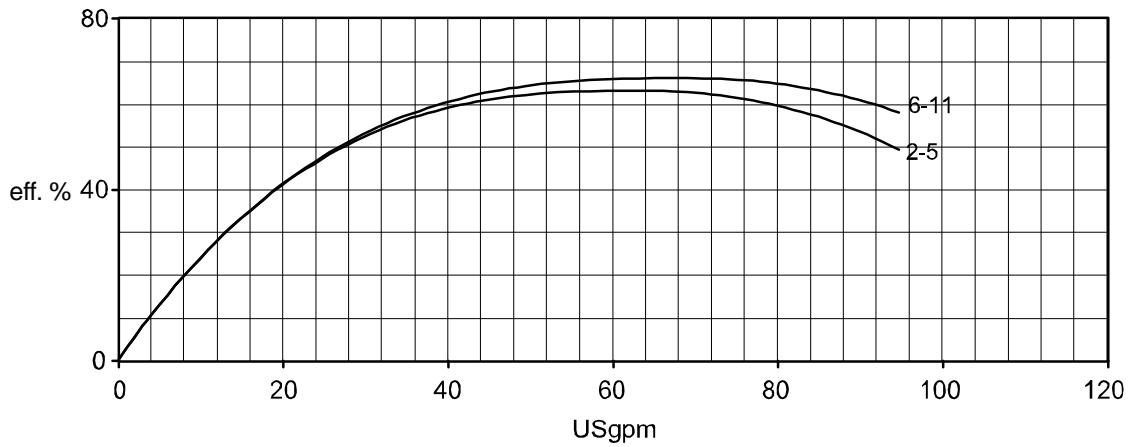
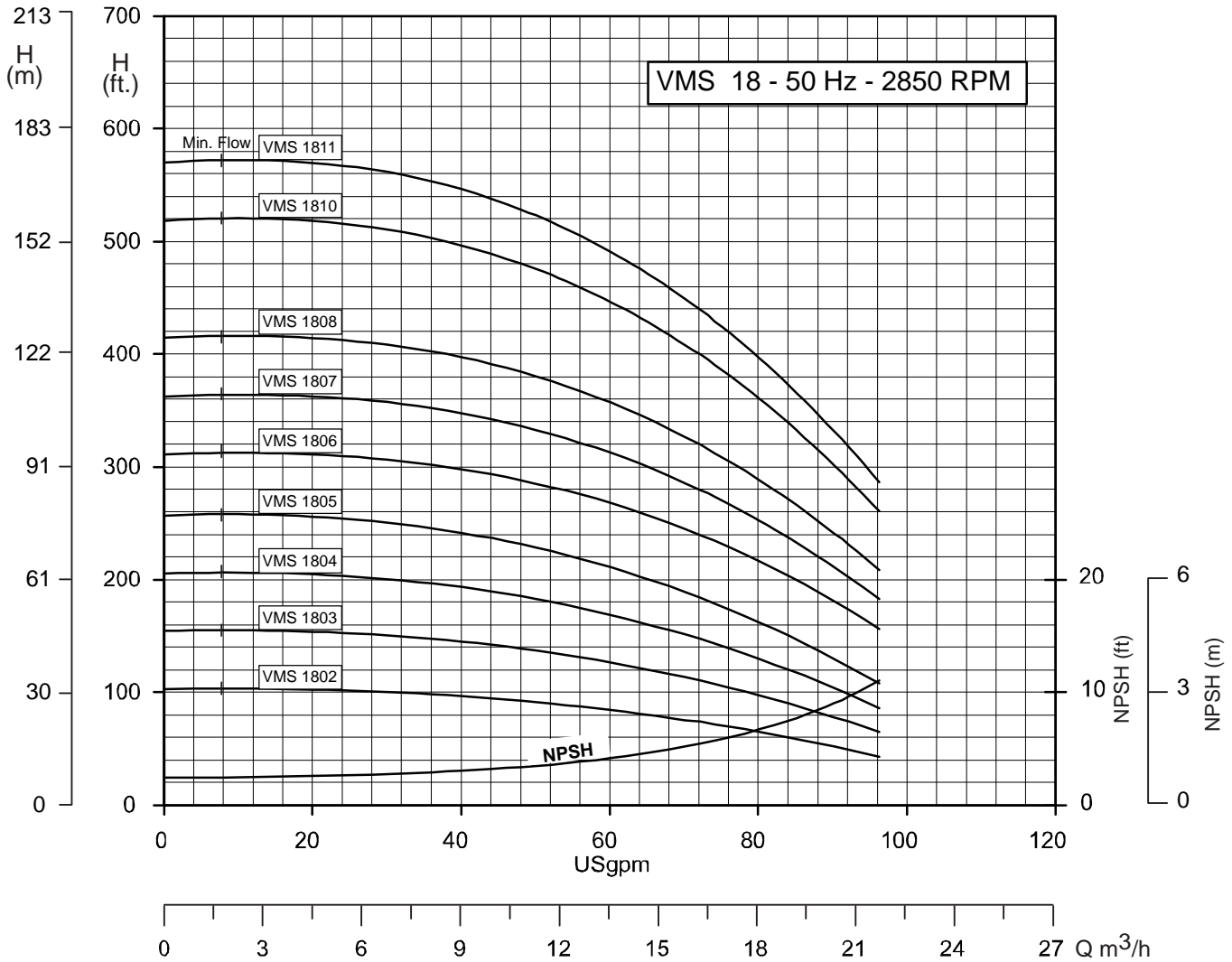


PUMP SIZE	hp	NEMA FRAME	MWP*	DIMENSIONS		WEIGHT
				HC	P	
VMS 1802	3	184TC	232	33.61 (854)	10.38 (264)	251.90
VMS 1803	5	184TC		36.29 (922)	10.38 (264)	265.20
VMS 1804	7.5	184TC		37.87 (962)	10.38 (264)	309.20
VMS 1805	7.5	215TC		40.55 (1030)	11.25 (286)	355.40
VMS 1806	7.5	215TC	370	42.33 (1075)	11.25 (286)	377.80
VMS 1807	10	215TC		43.91 (1115)	11.25 (286)	396.00
VMS 1808	10	215TC		45.47 (1155)	11.25 (286)	403.30
VMS 1810	15	256TC		52.52 (1334)	13.38 (340)	475.30
VMS 1811	15	284TSC		56.97 (1447)	15.31 (389)	597.60

All dimensions are in inches (mm) and are approximate.

*Maximum Working Pressure

PERFORMANCE CURVES



S. A. Armstrong Limited
 23 Bertrand Avenue
 Toronto, Ontario
 Canada, M1L 2P3
 T: (416) 755-2291
 F (Main): (416) 759-9101

Armstrong Pumps Inc.
 93 East Avenue
 North Tonawanda, New York
 U.S.A. 14120-6594
 T: (716) 693-8813
 F: (716) 693-8970

Armstrong Holden Brooke Pullen
 Wenlock Way
 Manchester
 United Kingdom, M12 5JL
 T: +44 (0) 161 223 2223
 F: +44 (0) 161 220 9660



© S.A. Armstrong Limited 2010