

SERIES 4700 VERTICAL MULTI-STAGE PUMP VMS 64 | SUBMITTAL

File No: 47.564
Date: NOVEMBER 28, 2014
Supersedes: 47.564
Date: APRIL 07, 2011

Job: _____ Representative: _____

Ordered by: _____ Date: _____

Engineer: _____ Submitted by: _____ Date: _____

Contractor: _____ Approved by: _____ Date: _____

PUMP DESIGN DATA

No. of pumps: _____ Tag: _____
Capacity: _____ USgpm (L/s) Head: _____ ft (m)
Liquid: _____ Viscosity: _____
Temperature: _____ °F (°C) Specific gravity: _____
Suction: 4" (102mm) Discharge: 4" (102mm)
Maximum working temperature: 250°F (120°C)

MATERIALS OF CONSTRUCTION

Flange rating: ANSI 150
ANSI 300
Pump casing: Cast iron
Impellers: EN 1.4301 (AISI 304)
Stage casing: EN 1.4301 (AISI 304)
Diffusers: EN 1.4301 (AISI 304)
Pump shaft: EN 1.4401 (AISI 316)
Jacket tube: EN 1.4301 (AISI 304)
Intermediate bearing: Tungsten carbide
O rings: FPM
Motor pedestal: Cast iron EN-GJL-200-EN 1561
Pump base: Cast iron EN-GJL-200-EN 1561
Mechanical seal faces: Silicon carbide/Carbon/FPM

MOTOR DESIGN DATA

HP: _____ RPM: 3600 Frame size: _____
Enclosure: ODP TEFC Volts: _____
Hertz: 60 Hz Phase: 1 3
Efficiency*: NEMA premium 12.12 Other: _____%

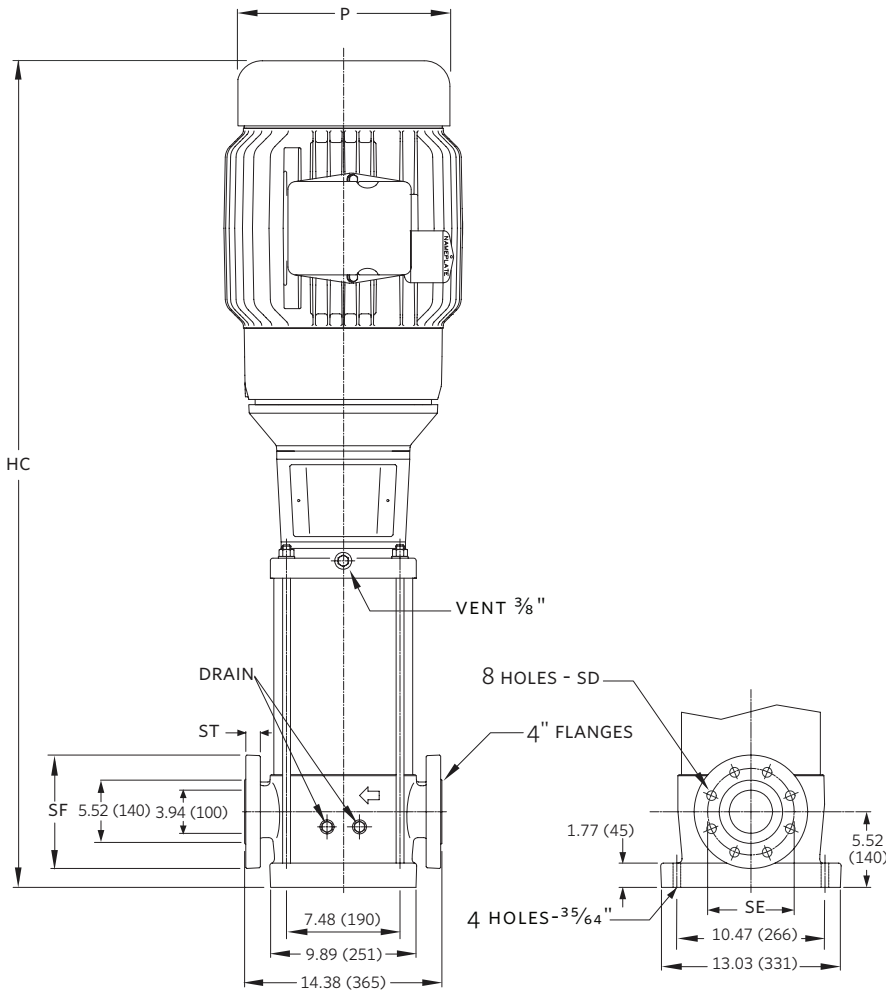
*Fractional power, frame 56 & 1-phase motors are supplied with the standard efficiency of the Manufacturer.

REMARKS

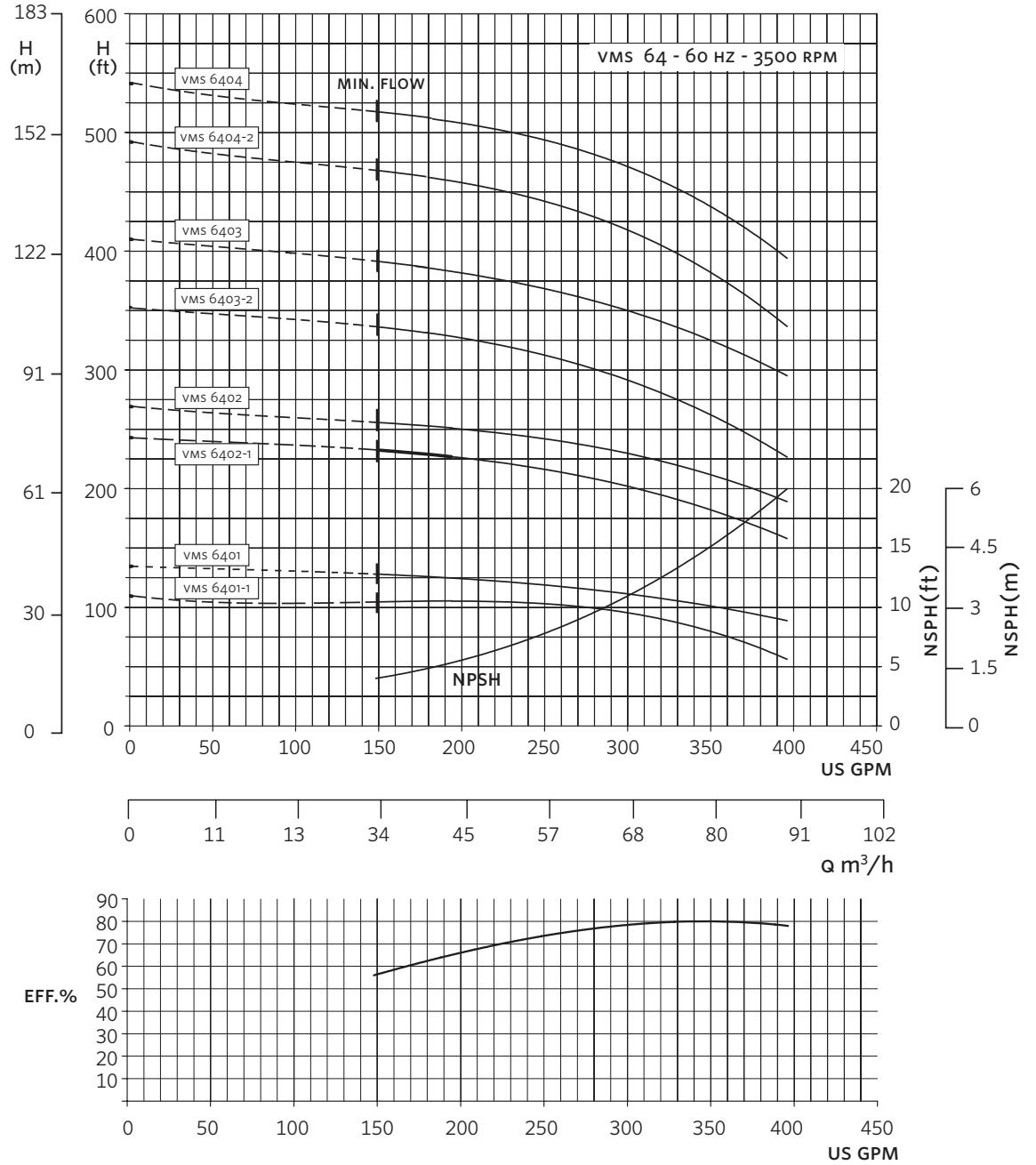
PUMP SIZE	HP	NEMA FRAME	FLANGE RATING	MWP*	DIMENSIONS in inches(mm)						WEIGHT in lbs (kg)
					HC	P	ST	SF	SD	SE	
VMS 6401-1	10	215TC	ANSI 150	232	41.22 (1047)	11.25 (286)					298 (135.2)
VMS 6401	15	215TC	ANSI 150	232	46.40 (1178)	11.25 (286)					342 (155.1)
VMS 6402-1	20	256TC	ANSI 150	232	53.11 (1349)	13.38 (340)	1.03 (26)	9.00 (229)	0.78 (20)	7.50 (190)	483 (219.1)
VMS 6402	25	284TSC	ANSI 150	232	55.64 (1413)	15.31 (389)					612 (277.6)
VMS 6403-2	30	286TSC	ANSI 150	232	58.48 (1485)	15.31 (389)					639 (289.8)
VMS 6403	40	324TSC	ANSI 150	232	59.08 (1501)	15.92 (404)					645 (292.6)
VMS 6404-2	40	324TSC	ANSI 300	370	61.91 (1572)	15.92 (404)	1.03 (26)	9.00 (229)	0.78 (20)	7.50 (190)	667 (302.5)
VMS 6404	50	326TSC	ANSI 300	370	63.41 (1611)	15.92 (404)					1213 (550.2)

All dimensions are in inches (mm) and are approximate.

*Maximum Working Pressure



SERIES 4700 PERFORMANCE CURVES



Performance curves are for reference only.
Confirm current performance data with Armstrong ACE ONLINE selection software.

TORONTO

23 BERTRAND AVENUE
TORONTO, ONTARIO
CANADA
M1L 2P3
+416 755 2291

BUFFALO

93 EAST AVENUE
NORTH TONAWANDA, NEW YORK
U.S.A.
14120-6594
+716 693 8813

BIRMINGHAM

HEYWOOD WHARF, MUCKLOW HILL
HALESOWEN, WEST MIDLANDS
UNITED KINGDOM
B62 8DJ
+44 (0) 8444 145 145

MANCHESTER

WOLVERTON STREET
MANCHESTER
UNITED KINGDOM
M11 2ET
+44 (0) 8444 145 145

BANGALORE

#59, FIRST FLOOR, 3RD MAIN
MARGOSA ROAD, MALLESWARAM
BANGALORE, INDIA
560 003
+91 (0) 80 4906 3555

SHANGHAI

NO. 1619 HU HANG ROAD, XI DU TOWNSHIP
FENG XIAN DISTRICT, SHANGHAI
P.R.C.
201401
+86 21 3756 6696

MAKING
ENERGY
MAKE
SENSE™