

## 4700 VERTICAL MULTI-STAGE PUMP | VMS 05B | SUBMITTAL

File No: 47.5051  
Date: MARCH 7, 2018  
Supersedes: 47.5051  
Date: OCTOBER 21, 2016

Job: \_\_\_\_\_ Representative: \_\_\_\_\_

Ordered by: \_\_\_\_\_ Date: \_\_\_\_\_

Engineer: \_\_\_\_\_ Submitted by: \_\_\_\_\_ Date: \_\_\_\_\_

Contractor: \_\_\_\_\_ Approved by: \_\_\_\_\_ Date: \_\_\_\_\_

### PUMP DESIGN DATA

No. of pumps: \_\_\_\_\_ Tag: \_\_\_\_\_  
Capacity: \_\_\_\_\_ USgpm (L/s) Head: \_\_\_\_\_ ft (m)  
Liquid: \_\_\_\_\_ Viscosity: \_\_\_\_\_  
Temperature: \_\_\_\_\_ °F (°C) Specific gravity: \_\_\_\_\_  
Suction: 1.25" (32mm) Discharge: 1.25" (32mm)  
Maximum working temperature: 250°F (120°C)

### MOTOR DESIGN DATA

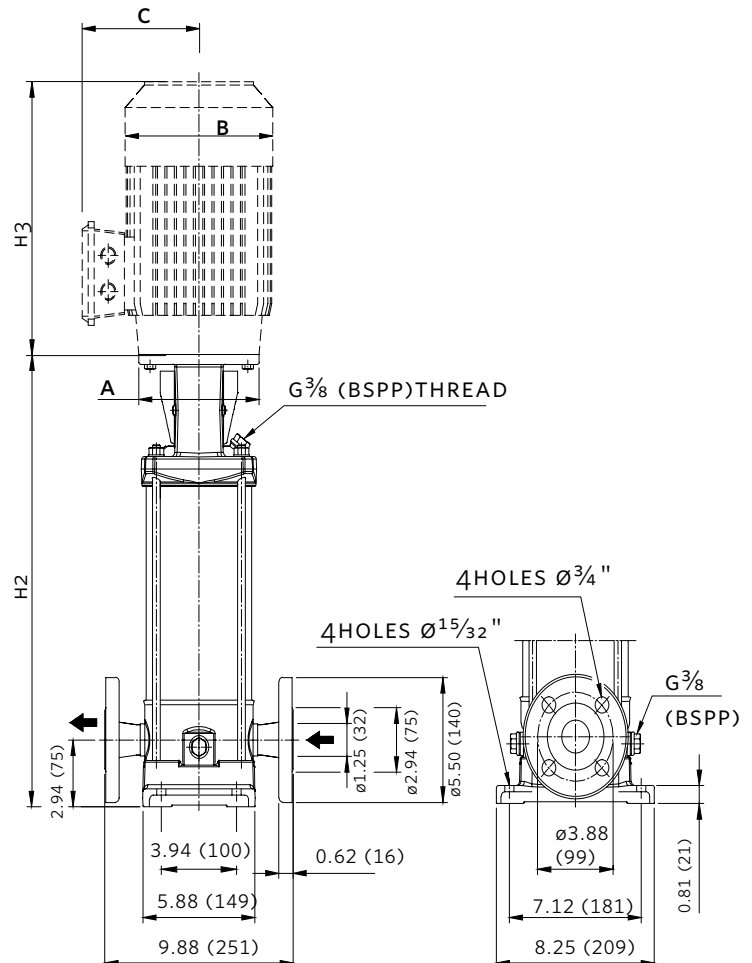
HP: \_\_\_\_\_ RPM: 3600 Frame size: \_\_\_\_\_  
Enclosure:  ODP  TEFC Volts: \_\_\_\_\_  
Hertz: 60 Hz Phase:  1  3  
Efficiency\*:  NEMA premium 12.12  Other: \_\_\_\_\_ %

\*Fractional power, frame 56 & 1-phase motors are supplied with the standard efficiency of the Manufacturer.

### MATERIALS OF CONSTRUCTION

- Flange rating:** ANSI 300
- Bottom casing:** EN 1.4301 (AISI 304)
- Impellers:** EN 1.4301 (AISI 304)
- Intermediate casing:** EN 1.4301 (AISI 304)
- Pump shaft:** VMS0502B-VMS0516B - EN 1.430 (AISI 304)  
VMS0517B-VMS0519B - EN 1.4462 (AISI 329A)
- Shaft sleeve bearing:** Tungsten carbide
- O rings:** FPM
- Motor bracket:** Cast iron EN-GJL-200-EN 1561
- Pump base:** Die cast aluminum  
EN-AB-AISI 11Cu2(Fe)
- Mechanical seal faces:** Silicon carbide/Carbon/FPM

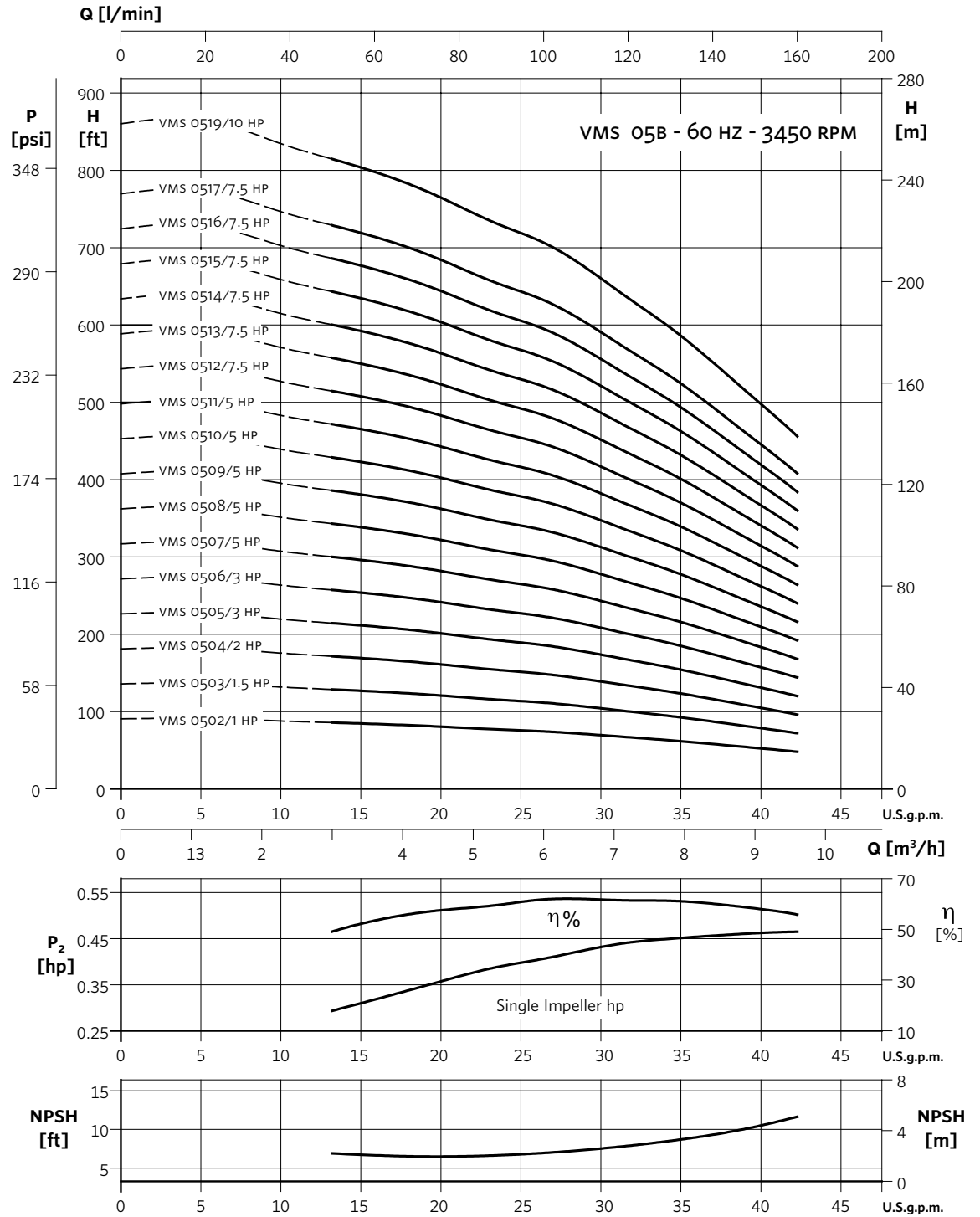
### REMARKS



PUMP SIZE	HP	NEMA FRAME		MWP*	DIMENSIONS in inches(mm)										WEIGHT in lbs (kg)	
		TEFC	ODP		TEFC					ODP					TEFC	ODP
					A	B	C	H2	H3	A	B	C	H2	H3		
VMS 0502B	1	56c	56c	230	4.50 (114)	7.25 (184)	5.25 (133)	12.44 (316)	13.63 (346)	4.50 (114)	6.19 (157)	5.06 (129)	12.44 (316)	11.13 (283)	50 (22.7)	50 (22.7)
VMS 0503B	1.5	56c	56c	230	4.50 (114)	7.25 (184)	5.25 (133)	13.56 (344)	13.63 (346)	4.50 (114)	7.25 (184)	5.63 (143)	13.56 (344)	13.56 (344)	51 (23.1)	51 (23.1)
VMS 0504B	2	56c	56c	230	4.50 (114)	7.25 (184)	5.25 (133)	14.63 (371)	13.56 (344)	4.50 (114)	6.25 (159)	5.06 (129)	14.63 (371)	11.31 (287)	52 (23.6)	52 (23.6)
VMS 0505B	3	—	145c	230	—	—	—	—	—	8.50 (216)	7.25 (184)	5.75 (146)	19.25 (489)	13.94 (354)	—	144 (65.3)
VMS 0506B	3	—	145c	230	—	—	—	—	—	8.50 (216)	7.25 (184)	5.75 (146)	20.31 (516)	13.94 (354)	—	145 (65.8)
VMS 0507B	5	184TC	182TC	230	8.50 (216)	8.50 (216)	6.88 (175)	21.44 (545)	15.44 (392)	8.50 (216)	8.44 (214)	6.75 (171)	21.13 (537)	13.88 (352)	146 (66.2)	146 (66.2)
VMS 0508B	5	184TC	182TC	230	8.50 (216)	8.50 (216)	6.88 (175)	22.56 (573)	15.44 (392)	8.50 (216)	8.44 (214)	6.75 (171)	22.19 (564)	13.88 (352)	147 (66.7)	147 (66.7)
VMS 0509B	5	184TC	182TC	230	8.50 (216)	8.50 (216)	6.88 (175)	23.63 (600)	15.44 (392)	8.50 (216)	8.44 (214)	6.75 (171)	23.31 (592)	13.88 (352)	148 (67.1)	148 (67.1)
VMS 0510B	5	184TC	182TC	230	8.50 (216)	8.50 (216)	6.88 (175)	24.75 (629)	15.44 (392)	8.50 (216)	8.44 (214)	6.75 (171)	24.38 (619)	13.88 (352)	149 (67.6)	149 (67.6)
VMS 0511B	5	184TC	182TC	230	8.50 (216)	8.50 (216)	6.88 (175)	25.88 (657)	15.44 (392)	8.50 (216)	8.44 (214)	6.75 (171)	25.50 (648)	13.88 (352)	150 (68.0)	150 (68.0)
VMS 0512B	7.5	213TC	—	230	8.50 (216)	10.31 (262)	8.06 (205)	27.56 (700)	18.19 (462)	—	—	—	—	—	197 (89.4)	—
VMS 0513B	7.5	213TC	—	360	8.50 (216)	10.31 (262)	8.06 (205)	28.69 (729)	18.19 (462)	—	—	—	—	—	201 (91.2)	—
VMS 0514B	7.5	213TC	—	360	8.50 (216)	10.31 (262)	8.06 (205)	29.81 (757)	18.19 (462)	—	—	—	—	—	202 (91.6)	—
VMS 0515B	7.5	213TC	—	360	8.50 (216)	10.31 (262)	8.06 (205)	30.88 (784)	18.19 (462)	—	—	—	—	—	203 (92.1)	—
VMS 0516B	7.5	213TC	—	360	8.50 (216)	10.31 (262)	8.06 (205)	32.00 (813)	18.19 (462)	—	—	—	—	—	205 (93.0)	—
VMS 0517B	7.5	213TC	—	360	8.50 (216)	10.31 (262)	8.06 (205)	33.13 (841)	18.19 (462)	—	—	—	—	—	206 (93.4)	—
VMS 0519B	10	215TC	—	360	8.50 (216)	10.31 (262)	8.06 (205)	35.31 (897)	18.19 (462)	—	—	—	—	—	253 (114.8)	—

All dimensions are in inches (mm) and are approximate.  
\*Maximum Working Pressure in psi

## 4700 PERFORMANCE CURVES



**TORONTO**

23 BERTRAND AVENUE  
TORONTO, ONTARIO  
CANADA  
M1L 2P3  
+1 416 755 2291

**BUFFALO**

93 EAST AVENUE  
NORTH TONAWANDA, NEW YORK  
U.S.A.  
14120-6594  
+1 716 693 8813

**BIRMINGHAM**

HEYWOOD WHARF, MUCKLOW HILL  
HALESOWEN, WEST MIDLANDS  
UNITED KINGDOM  
B62 8DJ  
+44 (0) 8444 145 145

**MANCHESTER**

WOLVERTON STREET  
MANCHESTER  
UNITED KINGDOM  
M11 2ET  
+44 (0) 8444 145 145

**BANGALORE**

#59, FIRST FLOOR, 3RD MAIN  
MARGOSA ROAD, MALLESWARAM  
BANGALORE, INDIA  
560 003  
+91 (0) 80 4906 3555

**SHANGHAI**

NO. 1619 HU HANG ROAD, XI DU TOWNSHIP  
FENG XIAN DISTRICT, SHANGHAI  
P.R.C.  
201401  
+86 21 3756 6696

**SÃO PAULO**

RUA JOSÉ SEMIÃO RODRIGUES AGOSTINHO,  
1370 GALPÃO 6  
EMBU DAS ARTES  
SAO PAULO, BRAZIL  
+55 11 4781 5500

ARMSTRONG FLUID TECHNOLOGY  
ESTABLISHED 1934

ARMSTRONGFLUIDTECHNOLOGY.COM

MAKING  
ENERGY  
MAKE  
SENSE™