

SERIES 4382 | VERTICAL IN-LINE DUALARM CLOSED-COUPLED | 6 × 6 × 6 | SUBMITTAL

File No: 43D.710
Date: DECEMBER 4, 2014
Supersedes: 43D.710
Date: SEPTEMBER 10, 2012

Job: _____ Representative: _____
 _____ Order no.: _____ Date: _____
 Engineer: _____ Submitted by: _____ Date: _____
 Contractor: _____ Approved by: _____ Date: _____

PUMP DESIGN DATA

No. of pumps: _____ Tag: _____
 Capacity: _____ USgpm (L/s) Head: _____ ft (m)
 Liquid: _____ Viscosity: _____
 Temperature: _____ °F (°C) Specific gravity: _____
 Suction: 6" (150mm) Discharge: 6" (150mm)

MOTOR DESIGN DATA

HP: _____ RPM: _____ Frame size: _____ Enclosure: _____
 Volts: _____ Hertz: 60 Hz Phase: 3
 Efficiency: Energy EFF 12.11 NEMA premium 12.12

MATERIALS OF CONSTRUCTION

ANSI FLANGE RATING	ANSI 125	ANSI 250
Construction	<input type="checkbox"/> BF	<input type="checkbox"/> DBF
Casing	Cast iron	Ductile iron
Adapter	Cast iron	Ductile iron

Impeller: Bronze
Gasket: Confined non-asbestos fiber
Shaft: Carbon steel
Shaft sleeve: Bronze
Flush line: Braided stainless steel

MAXIMUM PUMP OPERATING CONDITIONS

ANSI 125
 175 psig at 150°F (12 bars at 65°C)
 140 psig at 250°F (10 bars at 121°C)
ANSI 250
 250 psig at 150°F (17 bars at 65°C)
 250 psig at 250°F (17 bars at 121°C)

- Coupling guard (not shown) is supplied
- See performance curves on page 3
- For exact installation, data please write factory for certified dimensions

MECHANICAL SEAL DATA

Seal type: 2A
Stationary seat: Silicone carbide
Secondary seal: EPDM
Rotating hardware: Stainless steel
Spring: Stainless steel

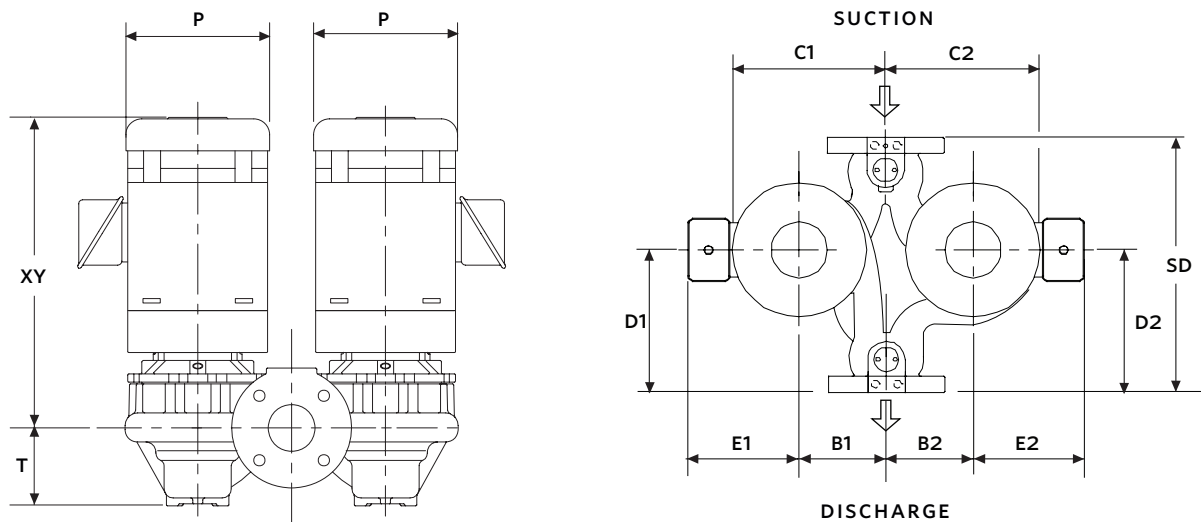
OPTIONAL EQUIPMENT

FLUID TYPE	ALL GLYCOLS > 30% WT CONC		ALL OTHER NON-POTABLE FLUIDS		POTABLE (DRINKING) WATER	
	up to 200°F (93°C)	over 200°F (93°C)	up to 200°F (93°C)	over 200°F (93°C)	up to 200°F (93°C)	over 200°F (93°C)
Temperature	up to 200°F (93°C)	over 200°F (93°C)	up to 200°F (93°C)	over 200°F (93°C)	up to 200°F (93°C)	over 200°F (93°C)
Rotating face	Silicone carbide		Resin bonded carbon	Antimony loaded carbon	Resin bonded carbon	
Seat elastomer	EPDM (L-cup)	EPDM (O-ring)	EPDM (L-cup)	EPDM (O-ring)	EPDM (L-cup)	EPDM (O-ring)
Material code	SCSc L EPSS 2A	SCSc O EPSS 2A	C-SC L EPSS 2A	ACSc O EPSS 2A	C-SC L EPSS 2A	C-SC O EPSS 2A

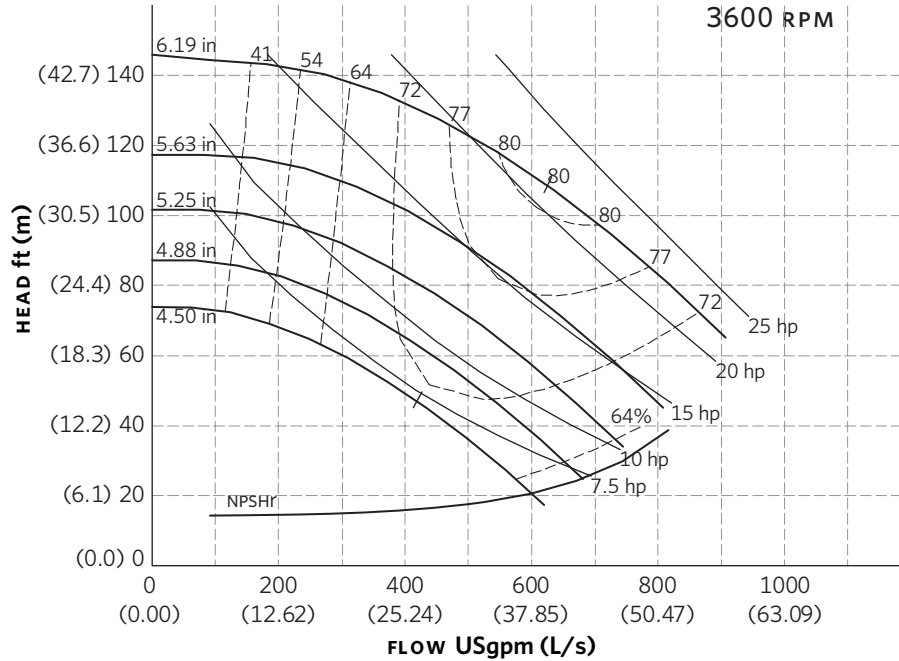
MOTOR FRAME	HP @ RPM			MAX. DIMENSIONS inches (mm)						WEIGHT		
	3600		1800	1200	E1	E2	P		XY		lbs (kgs)	
	ODP/TEFC						ODP	TEFC	ODP	TEFC	ODP	TEFC
143JM	—	1	—	6.12 (155)	6.12 (155)	8.63 (219)	7.83 (199)	17.50 (445)	17.25 (438)	452 (205.0)	456 (206.8)	
145JM	—	—	0.75	6.12 (155)	6.12 (155)	8.63 (219)	7.83 (199)	17.50 (445)	17.25 (438)	436 (197.8)	446 (202.3)	
145JM	—	1.5 & 2.0	1	6.12 (155)	6.12 (155)	8.63 (219)	7.83 (199)	17.50 (445)	17.25 (438)	470 (213.2)	478 (216.8)	
182JM	—	3	—	7.50 (191)	7.50 (191)	10.38 (264)	9.50 (241)	19.50 (495)	20.25 (514)	476 (215.9)	554 (251.3)	
184JM	7.5	—	—	7.50 (191)	7.50 (191)	10.38 (264)	9.50 (241)	19.50 (495)	20.25 (514)	502 (227.7)	644 (292.1)	
213JM	10	—	—	8.25 (210)	8.25 (210)	12.13 (308)	11.13 (283)	21.88 (556)	23.75 (603)	582 (264.0)	686 (311.2)	
213JM	/10	—	—	8.25 (210)	8.25 (210)	12.13 (308)	11.13 (283)	21.88 (556)	23.75 (603)	582 (264.0)	686 (311.2)	
215JM	15	—	—	8.25 (210)	8.25 (210)	12.13 (308)	11.13 (283)	21.88 (556)	23.75 (603)	660 (299.4)	872 (395.5)	
254JM	20	—	—	9.94 (252)	9.94 (252)	12.13 (308)	14.19 (360)	25.10 (638)	28.22 (717)	798 (362.0)	1008 (457.2)	
254JM	/20	—	—	9.94 (252)	9.94 (252)	12.13 (308)	14.19 (360)	25.10 (638)	28.22 (717)	798 (362.0)	1008 (457.2)	
256JM	25	—	—	9.94 (252)	9.94 (252)	12.13 (308)	14.19 (360)	25.10 (638)	28.22 (717)	890 (403.7)	1142 (518.0)	

PUMP DIMENSIONS
inches (mm)

B1	B2	C1	C2	D1	D2	SD	T
7.39	7.39	13.63	14.31	16.81	16.81	33.50	7.75
(188)	(188)	(346)	(363)	(427)	(427)	(851)	(197)



SERIES 4382 PERFORMANCE CURVES



Curve number
PT86-2-0-3600

Series
4302
4382

Size
6 × 6 × 6

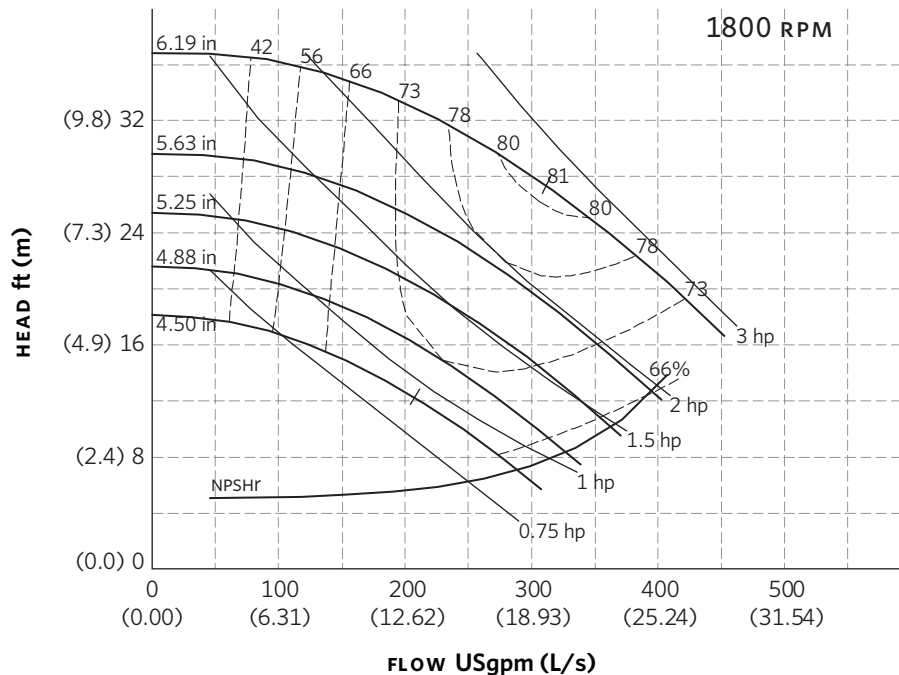
RPM
3600

BHP based on shown
Fluid's sp. gr.

Availability
4302 all ratings
4382 all ratings

Performance
guaranteed only
at operating point
indicated.

Curve shown for
clear, cold water
- SP. GR. 1.0000



Curve number
PT85-2-0-1800

Series
4302
4382

Size
6 × 6 × 6

RPM
1800

BHP based on shown
Fluid's sp. gr.

Availability
4302 all ratings
4382 all ratings

Performance
guaranteed only
at operating point
indicated.

Curve shown for
clear, cold water
- SP. GR. 1.0000

Performance curves are for reference only.
Confirm current performance data with Armstrong ACE ONLINE selection software.

TORONTO

23 BERTRAND AVENUE
TORONTO, ONTARIO
CANADA
M1L 2P3
+416 755 2291

BUFFALO

93 EAST AVENUE
NORTH TONAWANDA, NEW YORK
U.S.A.
14120-6594
+716 693 8813

BIRMINGHAM

HEYWOOD WHARF, MUCKLOW HILL
HALESOWEN, WEST MIDLANDS
UNITED KINGDOM
B62 8DJ
+44 (0) 8444 145 145

MANCHESTER

WOLVERTON STREET
MANCHESTER
UNITED KINGDOM
M11 2ET
+44 (0) 8444 145 145

BANGALORE

#59, FIRST FLOOR, 3RD MAIN
MARGOSA ROAD, MALLESWARAM
BANGALORE, INDIA
560 003
+91 (0) 80 4906 3555

SHANGHAI

NO. 1619 HU HANG ROAD, XI DU TOWNSHIP
FENG XIAN DISTRICT, SHANGHAI
P.R.C.
201401
+86 21 3756 6696

MAKING
ENERGY
MAKE
SENSE™