

## SERIES 4360 IN-LINE PUMPS INSIDE MECHANICAL SEAL | 2B | SUBMITTAL

File No: 43.605  
Date: JUNE 22, 2023  
Supersedes: 43.605  
Date: MAR. 15, 2012

Job: \_\_\_\_\_ Representative: \_\_\_\_\_  
 \_\_\_\_\_ Ordered by: \_\_\_\_\_ Date: \_\_\_\_\_  
 Engineer: \_\_\_\_\_ Submitted by: \_\_\_\_\_ Date: \_\_\_\_\_  
 Contractor: \_\_\_\_\_ Approved by: \_\_\_\_\_ Date: \_\_\_\_\_

### PUMP DESIGN DATA

No. of pumps: \_\_\_\_\_ Tag: \_\_\_\_\_  
 Capacity: \_\_\_\_\_ USgpm (L/s) Head: \_\_\_\_\_ ft (m)  
 Liquid: \_\_\_\_\_ Viscosity: \_\_\_\_\_  
 Temperature: \_\_\_\_\_ °F (°C) Specific Gravity: \_\_\_\_\_  
 Suction: 2"(50mm) Discharge: 2"(50mm)

### MATERIALS OF CONSTRUCTION

PART NAME	■ BRONZE FITTED	■ ALL IRON	■ ALL BRONZE
Casing	Cast iron	Cast iron	Bronze
Companion flanges	Cast iron	Cast iron	Bronze
Pump/motor bracket	Cast iron	Cast iron	Bronze

Impeller: Non-ferrous

Stub Shaft: Stainless Steel

### OPTIONAL EQUIPMENT

### MOTOR DESIGN DATA

HP: \_\_\_\_\_ RPM: \_\_\_\_\_ Frame size: \_\_\_\_\_ Enclosure: \_\_\_\_\_  
 Volts: \_\_\_\_\_ Hertz: 60 Hz Phase: 3  
 Efficiency\*:  Standard  Energy EFF 12.11  
 NEMA premium 12.12

\* Frame 56 motors: Standard Efficiency only.  
 JM motors: 12.11 or 12.12

### MECHANICAL SEAL DATA

Construction	Bronze fitted / All bronze	All iron
Rotating hardware	Brass	Steel
Seal type: Inside single spring	Rotating face: Carbon	
Manufacturer: Armstrong	Stationary seat: Ceramic	
Manu code: Armseal	Secondary seal /spring: BUNA-N/stainless steel	

### MAXIMUM PUMP OPERATING CONDITIONS

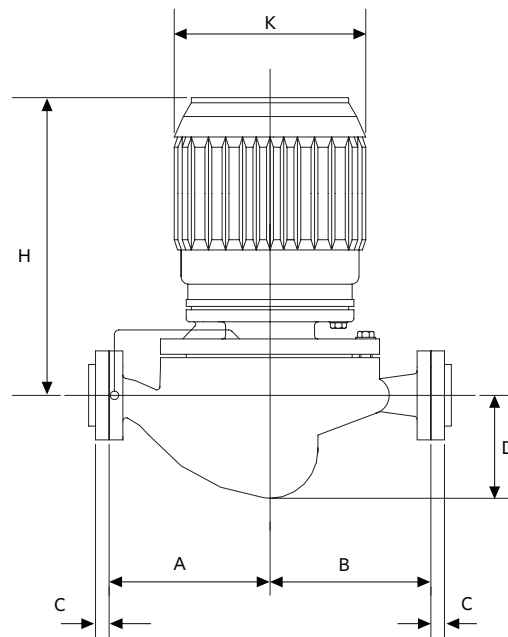
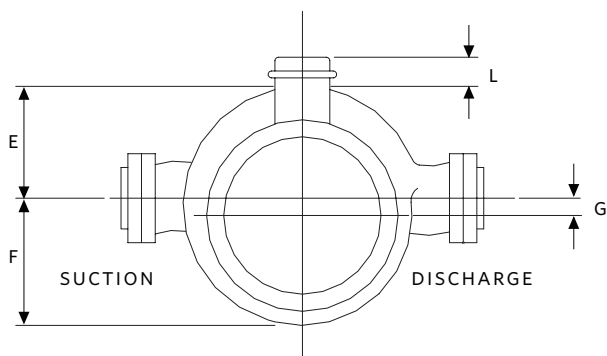
175 psig at 150°F (12 bars at 65°C)  
 140 psig at 225°F (10 bars at 107°C)

MOTOR FRAME	1750	MAX. DIMENSIONS INCHES (mm)					SHIP. WEIGHT lbs (kg)	
		G	H		K	L	ODP	TEFC
			SINGLE PHASE	THREE PHASE	MAX	MAX		
56c	0.33	1.38 (35)	11.75 (298)	11.75 (298)	7.50 (191)	1.00 (25)	49 (22.2)	49 (22.2)
56c	0.5	1.38 (35)	12.75 (324)	11.75 (298)	7.50 (191)	1.00 (25)	49 (22.2)	49 (22.2)
56c	0.75	1.38 (35)	13.13 (334)	12.75 (324)	7.50 (191)	1.00 (25)	51 (23.1)	51 (23.1)
56c	1	1.38 (35)	13.88 (353)	12.75 (324)	7.50 (191)	1.00 (25)	54 (24.5)	59 (26.7)
56c	-	1.38 (35)	13.88 (353)	13.13 (334)	7.50 (191)	1.00 (25)	59 (26.7)	64 (29.0)
56c	-	1.38 (35)	-	13.13 (334)	7.50 (191)	1.00 (25)	64 (29.0)	84 (38.1)
56c	-	1.38 (35)	-	14.63 (372)	7.50 (191)	1.00 (25)	94 (42.6)	-

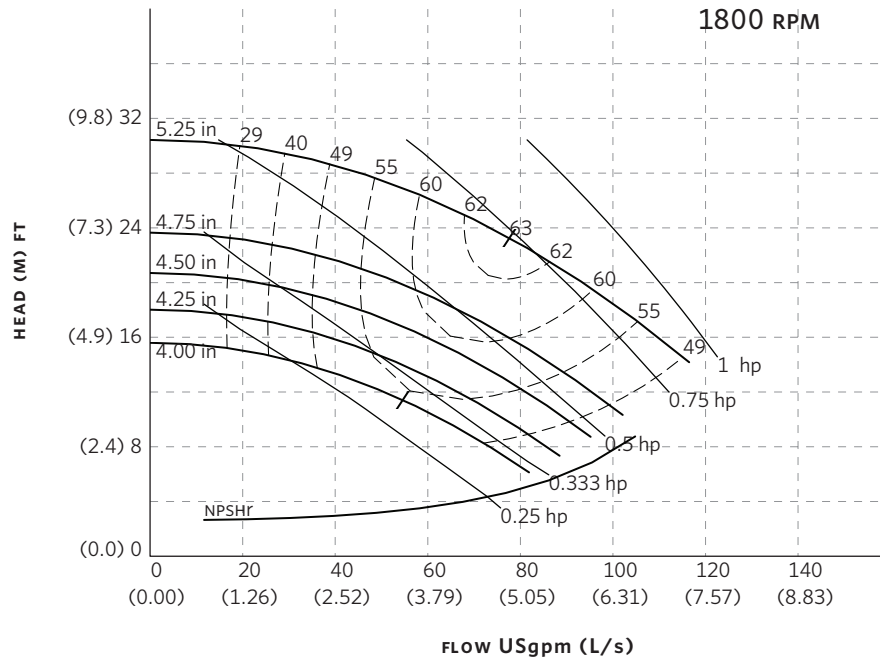
**PUMP DIMENSIONS**

INCHES (mm)

A	B	C	D	E	F
6.63	5.13	0.88	3.50	2.88	5.00
(168)	(130)	(22)	(89)	(73)	(127)



## SERIES 4360 PERFORMANCE CURVES



**Curve number**  
PT27-1-0-1800

**Series**  
4360

**Size**  
2B

**RPM**  
1800

BHP based on shown  
Fluid's sp. gr.

**Availability**  
4360 all ratings

Performance  
guaranteed only  
at operating point  
indicated

Curve shown for  
clear, cold  
water - SP. GR. 1.000

Performance curves are for reference only.

Confirm current performance data with Armstrong ACE Online selection software.

**TORONTO**

23 BERTRAND AVENUE,  
TORONTO, ONTARIO,  
CANADA, M1L 2P3  
+1 416 755 2291

**BUFFALO**

93 EAST AVENUE, NORTH  
TONAWANDA, NEW YORK,  
U.S.A., 14120-6594  
+1 716 693 8813

**DROITWICH SPA**

POINTON WAY, STONEBRIDGE CROSS  
BUSINESS PARK, DROITWICH SPA,  
WORCESTERSHIRE,  
UNITED KINGDOM, WR9 0LW  
+44 121 550 5333

**MANCHESTER**

WOLVERTON STREET, MANCHESTER  
UNITED KINGDOM, M11 2ET  
+44 161 223 2223

**BANGALORE**

#18, LEWIS WORKSPACE, 3<sup>RD</sup> FLOOR,  
OFF MILLERS - NANDIDURGA ROAD,  
JAYAMAHAL CBD, BENSON TOWN,  
BANGALORE, INDIA 560 046  
+91 80 4906 3555

**SHANGHAI**

UNIT 903, 888 NORTH SICHUAN RD.  
HONGKOU DISTRICT, SHANGHAI  
CHINA, 200085  
+86 21 5237 0909

**BEIJING**

ROOM 1612, NANYIN BUILDING NO.2  
NORTH EAST THRID RING ROAD  
CHAOYANG DISTRICT, BEIJING,  
CHINA 100027  
+86 21 5237 0909

**SÃO PAULO**

RUA JOSÉ SEMIÃO RODRIGUES  
AGOSTINHO, 1370 GALPÃO 6 EMBU  
DAS ARTES, SAO PAULO, BRAZIL  
+55 11 4785 1330

**LYON**

93 RUE DE LA VILLETTE  
LYON, 69003 FRANCE  
+33 4 26 83 78 74

**DUBAI**

JAFZA VIEW 19, OFFICE 402  
P.O. BOX 18226 JAFZA,  
DUBAI - UNITED ARAB EMIRATES  
+971 4 887 6775

**JIMBOLIA**

STR CALEA MOTILOR NR. 2C  
JIMBOLIA 305400, JUD.TIMIS  
ROMANIA  
+40 256 360 030

ARMSTRONG FLUID TECHNOLOGY®  
ESTABLISHED 1934

ARMSTRONGFLUIDTECHNOLOGY.COM