

SERIES 4312

SPLIT-COUPLED VERTICAL IN-LINE TWIN PUMP

2 × 2 × 10 | SUBMITTAL

File No: 43T.415
 Date: DECEMBER 4, 2014
 Supersedes: 43T.415
 Date: JULY 16, 2012

Job: _____ Representative: _____

Ordered by: _____ Date: _____

Engineer: _____ Submitted by: _____ Date: _____

Contractor: _____ Approved by: _____ Date: _____

PUMP DESIGN DATA

No. of pumps: _____ Tag: _____
 Capacity: _____ USgpm (L/s) Head: _____ ft (m)
 Liquid: _____ Viscosity: _____
 Temperature: _____ °F (°C) Specific gravity: _____
 Suction: 2"(50mm) Discharge: 2"(50mm)

MOTOR DESIGN DATA

HP: _____ RPM: _____ Frame size: _____ Enclosure: _____
 Volts: _____ Hertz: 60 Hz Phase: 3
 Efficiency: NEMA premium 12.12 Other: _____%

MATERIALS OF CONSTRUCTION

ANSI FLANGE RATING	ANSI 125
Construction	<input type="checkbox"/> BF
Casing	Cast iron
Adapter	Cast iron

Impeller: Bronze

Gasket: Confined non-asbestos fiber

Shaft: Carbon steel

Shaft sleeve: Bronze

Flush line: Braided stainless steel

MAXIMUM PUMP OPERATING CONDITIONS

ANSI 125

175 psig at 150°F (12 bars at 65°C)

100 psig at 300°F (7 bars at 150°C)

- See performance curves on page 3
- For exact installation, data please write factory for certified dimensions
- See file no. 43.50 for maximum seal operating conditions

MECHANICAL SEAL DATA

See file no. 43.50 for standard mechanical seal details as indicated below.

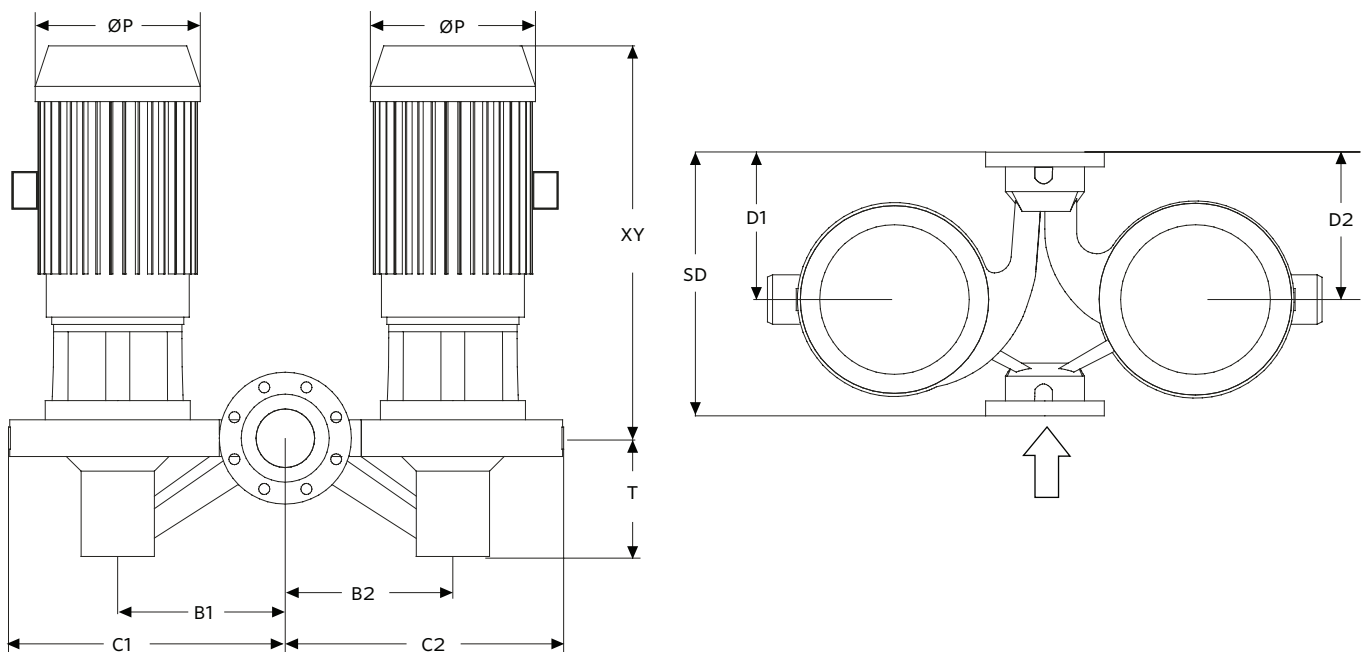
ARMSTRONG SEAL REFERENCE NUMBER:

c1 (a) Other: _____

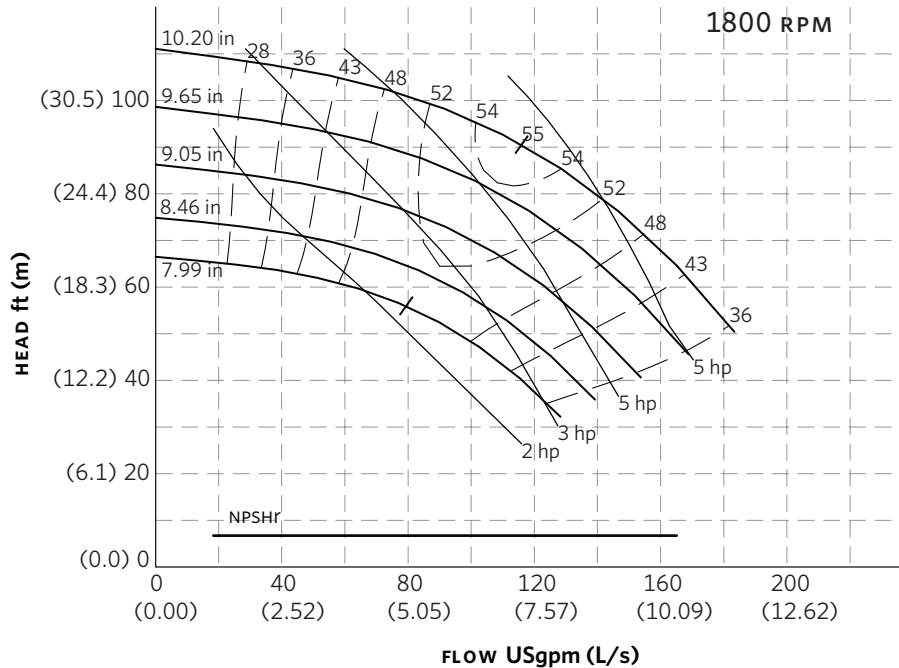
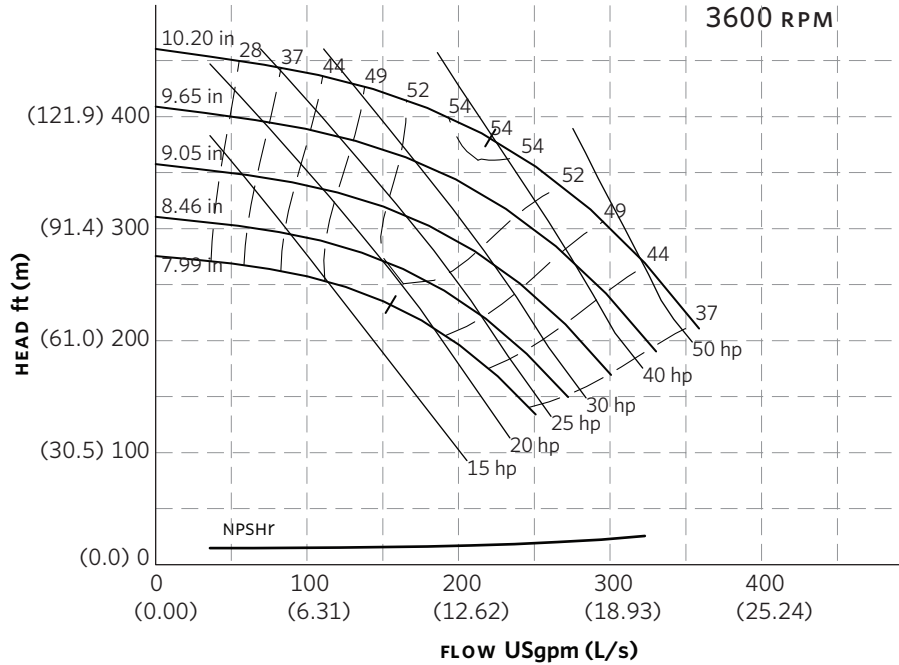
MOTOR	HORSEPOWER @ RPM		MAX. DIMENSIONS INCHES (mm)		WEIGHT		
	3600		1800	P	XY	lbs (kg)	
	ODP	TEFC				ODP	TEFC
182TC	—	—	3	10.38 (264)	26.92 (684)	516 (234.1)	578 (262.2)
184TC	—	—	5	10.38 (264)	26.92 (684)	540 (244.9)	596 (270.3)
213TC	—	—	7.5	12.13 (308)	29.54 (750)	610 (276.7)	710 (322.1)
256TC	25	—	—	13.38 (340)	34.48 (876)	920 (417.3)	—
284TSC	30	25	—	15.31 (389)	43.74 (1111)	1166 (528.9)	1150 (521.6)
286TSC	40	30	—	15.31 (389)	43.74 (1111)	1334 (605.1)	1276 (578.8)
324TSC	50	40	—	17.00 (432)	44.67 (1135)	1540 (698.5)	1542 (699.4)
326TSC	60	50	—	17.00 (432)	44.67 (1135)	1688 (765.7)	1634 (741.2)

PUMP DIMENSIONS
INCHES (mm)

B1	B2	C1	C2	D1	D2	SD	T
9.84	9.84	16.66	16.66	8.68	11.63	17.32	5.35
(250)	(250)	(423)	(423)	(220)	(295)	(440)	(136)



SERIES 4312 PERFORMANCE CURVES



Performance curves are for reference only.
Confirm current performance data with Armstrong ACE ONLINE selection software.

TORONTO

23 BERTRAND AVENUE
TORONTO, ONTARIO
CANADA
M1L 2P3
+416 755 2291

BUFFALO

93 EAST AVENUE
NORTH TONAWANDA, NEW YORK
U.S.A.
14120-6594
+716 693 8813

BIRMINGHAM

HEYWOOD WHARF, MUCKLOW HILL
HALESOWEN, WEST MIDLANDS
UNITED KINGDOM
B62 8DJ
+44 (0) 8444 145 145

MANCHESTER

WOLVERTON STREET
MANCHESTER
UNITED KINGDOM
M11 2ET
+44 (0) 8444 145 145

BANGALORE

#59, FIRST FLOOR, 3RD MAIN
MARGOSA ROAD, MALLESWARAM
BANGALORE, INDIA
560 003
+91 (0) 80 4906 3555

SHANGHAI

NO. 1619 HU HANG ROAD, XI DU TOWNSHIP
FENG XIAN DISTRICT, SHANGHAI
P.R.C.
201401
+86 21 3756 6696

**MAKING
ENERGY
MAKE
SENSE™**