

SERIES 4302 | VERTICAL IN-LINE DUALARM SPLIT-COUPLED | 8 × 8 × 11.5 | SUBMITTAL

File No: 43D-537
Date: DECEMBER 4, 2014
Supersedes: 43D-537
Date: SEPTEMBER 10, 2012

Job: _____ Representative: _____
 _____ Order no.: _____ Date: _____
 Engineer: _____ Submitted by: _____ Date: _____
 Contractor: _____ Approved by: _____ Date: _____

PUMP DESIGN DATA

No. of pumps: _____ Tag: _____
 Capacity: _____ USgpm (L/s) Head: _____ ft (m)
 Liquid: _____ Viscosity: _____
 Temperature: _____ °F (°C) Specific gravity: _____
 Suction: 8" (200mm) Discharge: 8" (200mm)

MOTOR DESIGN DATA

HP: _____ RPM: _____ Frame size: _____ Enclosure: _____
 Volts: _____ Hertz: 60 Hz Phase: 3
 Efficiency: NEMA premium 12.12 Other _____ %

MATERIALS OF CONSTRUCTION

ANSI FLANGE RATING	ANSI 125	ANSI 250
Construction	<input type="checkbox"/> BF	<input type="checkbox"/> DBF
Casing	Cast iron	Ductile iron
Adapter	Cast iron	Ductile iron

Impeller: Bronze

Gasket: Confined non-asbestos fiber

Shaft: 416 stainless steel

Coupling: High tensile aluminum

Flush line: Braided stainless steel

MAXIMUM PUMP OPERATING CONDITIONS

ANSI 125

175 psig at 150°F (12 bars at 65°C)

140 psig at 250°F (10 bars at 121°C)

ANSI 250

250 psig at 150°F (17 bars at 65°C)

250 psig at 250°F (17 bars at 121°C)

- Coupling guard (not shown) is supplied
- See performance curves on page 3
- For exact installation, data please write factory for certified dimensions

MECHANICAL SEAL DATA

See file no. 43.50 for standard mechanical seal details as indicated below.

ARMSTRONG SEAL REFERENCE NUMBER:

c1 (a) Other: _____

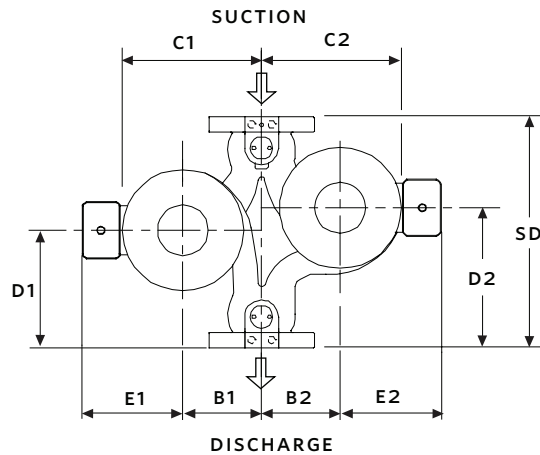
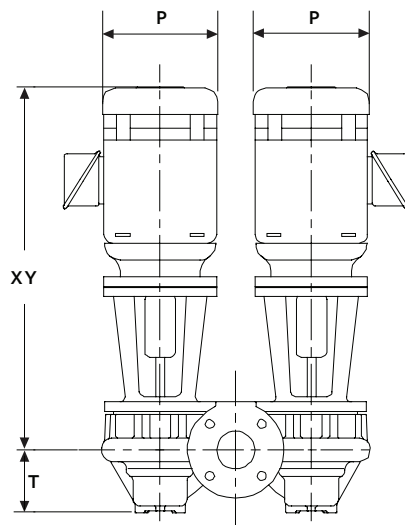
OPTIONAL EQUIPMENT

SEAL DATA OPTIONS

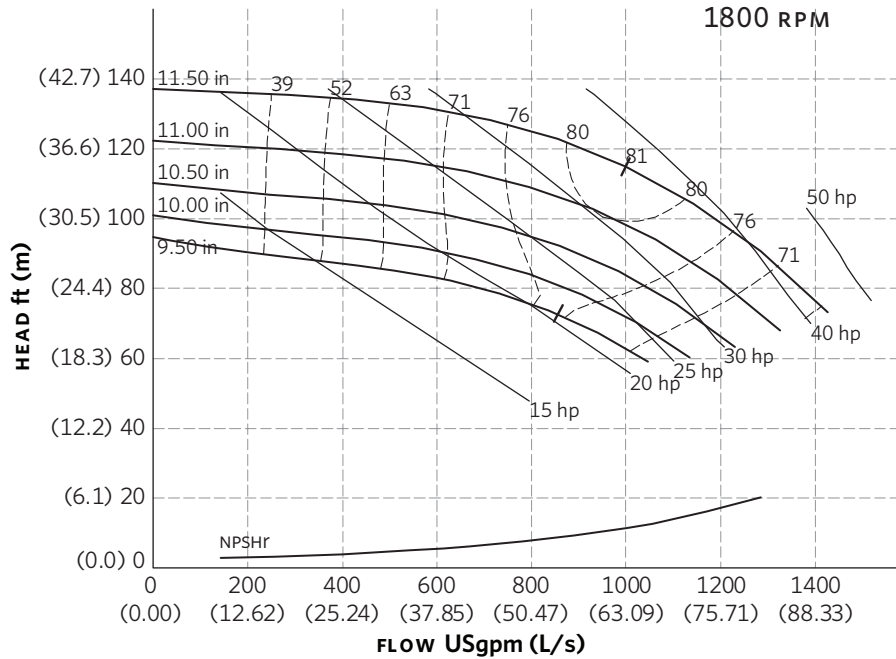
MOTOR	HP @ RPM		MAX. DIMENSIONS inches (mm)								WEIGHT	
	1800	1200	E1		E2		P		XY		lbs (kgs)	
			ODP	TEFC	ODP	TEFC	ODP	TEFC	ODP	TEFC	ODP	TEFC
254TC	—	7.5	10.75 (273)	9.38 (238)	10.75 (273)	9.38 (238)	13.50 (343)	14.00 (356)	32.00 (813)	33.25 (845)	1540 (698.5)	1594 (723.0)
256TC	—	10	10.75 (273)	9.38 (238)	10.75 (273)	9.38 (238)	13.50 (343)	14.00 (356)	34.00 (864)	35.00 (889)	1582 (717.6)	1662 (753.9)
284TSC	25	—	12.63 (321)	12.00 (305)	12.63 (321)	12.00 (305)	15.00 (381)	14.38 (365)	38.00 (965)	36.63 (930)	1806 (819.2)	2012 (912.6)
286TSC	30	—	12.63 (321)	12.00 (305)	12.63 (321)	12.00 (305)	15.00 (381)	14.38 (365)	38.00 (965)	36.63 (930)	1910 (866.4)	2100 (952.5)
324TSC	40	—	15.13 (384)	14.63 (372)	15.13 (384)	14.63 (372)	18.25 (464)	16.00 (406)	41.50 (1054)	37.00 (940)	2200 (997.9)	2330 (1056.9)
326TSC	50	—	15.13 (384)	15.13 (384)	15.13 (384)	15.13 (384)	18.25 (464)	16.38 (416)	41.50 (1054)	41.88 (1064)	2240 (1016.0)	2806 (1272.8)

PUMP DIMENSIONS
inches (mm)

B1	B2	C1	C2	D1	D2	SD	T
10.50	11.00	20.10	20.23	25.48	20.65	46.94	8.80
(267)	(279)	(511)	(514)	(647)	(525)	(1192)	(224)



SERIES 4302 PERFORMANCE CURVES



Curve number
PT529-0-0-1800

Series
4302
4382

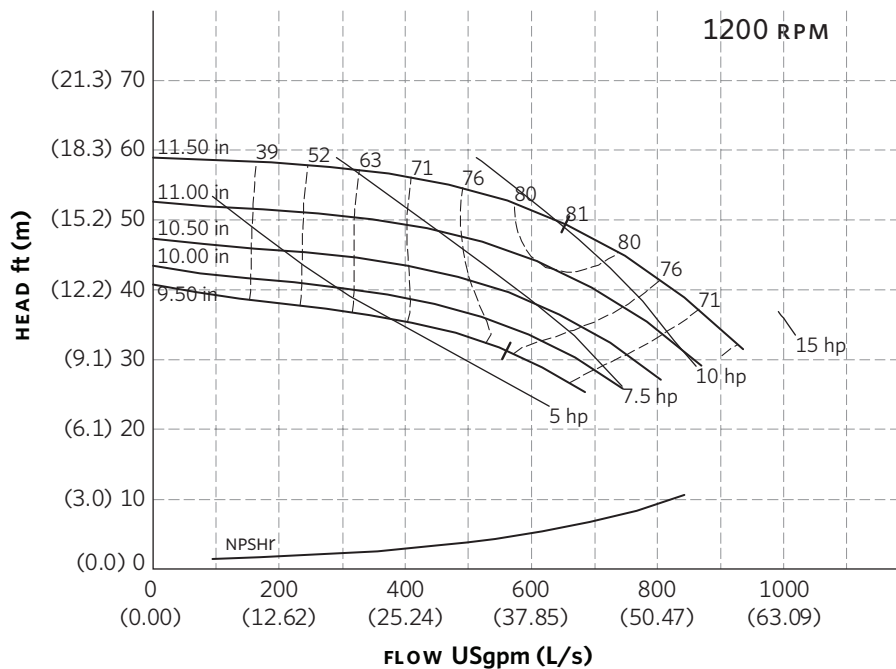
Size
8 × 8 × 11.5

RPM
1800

BHP based on shown
Fluid's sp. gr.

Availability
4302 all ratings
4382 all ratings

Performance
guaranteed only
at operating point
indicated.
Curve shown for
clear, cold water
- SP. GR. 1.0000



Curve number
PT529-0-0-1200

Series
4302
4382

Size
8 × 8 × 11.5

RPM
1200

BHP based on shown
Fluid's sp. gr.

Availability
4302 all ratings
4382 all ratings

Performance
guaranteed only
at operating point
indicated.
Curve shown for
clear, cold water
- SP. GR. 1.0000

Performance curves are for reference only.
Confirm current performance data with Armstrong ACE ONLINE selection software.

TORONTO

23 BERTRAND AVENUE
TORONTO, ONTARIO
CANADA
M1L 2P3
+1 416 755 2291

BUFFALO

93 EAST AVENUE
NORTH TONAWANDA, NEW YORK
U.S.A.
14120-6594
+1 716 693 8813

BIRMINGHAM

HEYWOOD WHARF, MUCKLOW HILL
HALESOWEN, WEST MIDLANDS
UNITED KINGDOM
B62 8DJ
+44 (0) 8444 145 145

MANCHESTER

WOLVERTON STREET
MANCHESTER
UNITED KINGDOM
M11 2ET
+44 (0) 8444 145 145

BANGALORE

#59, FIRST FLOOR, 3RD MAIN
MARGOSA ROAD, MALLESWARAM
BANGALORE, INDIA
560 003
+91 (0) 80 4906 3555

SHANGHAI

NO. 1619 HU HANG ROAD, XI DU TOWNSHIP
FENG XIAN DISTRICT, SHANGHAI
P.R.C.
201401
+86 21 3756 6696

**MAKING
ENERGY
MAKE
SENSE™**