

## SERIES 4302 | VERTICAL IN-LINE DUALARM SPLIT-COUPLED | 3 × 3 × 10 | SUBMITTAL

File No: 43D.523  
Date: DECEMBER 4, 2014  
Supersedes: 43D.523  
Date: SEPTEMBER 10, 2012

Job: \_\_\_\_\_ Representative: \_\_\_\_\_  
 \_\_\_\_\_ Order no.: \_\_\_\_\_ Date: \_\_\_\_\_  
 Engineer: \_\_\_\_\_ Submitted by: \_\_\_\_\_ Date: \_\_\_\_\_  
 Contractor: \_\_\_\_\_ Approved by: \_\_\_\_\_ Date: \_\_\_\_\_

### PUMP DESIGN DATA

No. of pumps: \_\_\_\_\_ Tag: \_\_\_\_\_  
 Capacity: \_\_\_\_\_ USgpm (L/s) Head: \_\_\_\_\_ ft (m)  
 Liquid: \_\_\_\_\_ Viscosity: \_\_\_\_\_  
 Temperature: \_\_\_\_\_ °F (°C) Specific gravity: \_\_\_\_\_  
 Suction: 3"(75mm) Discharge: 3"(75mm)

### MOTOR DESIGN DATA

HP: \_\_\_\_\_ RPM: \_\_\_\_\_ Frame size: \_\_\_\_\_ Enclosure: \_\_\_\_\_  
 Volts: \_\_\_\_\_ Hertz: 60 Hz Phase: 3  
 Efficiency:  NEMA premium 12.12  Other \_\_\_\_\_ %

### MATERIALS OF CONSTRUCTION

ANSI FLANGE RATING	ANSI 125	ANSI 250
Construction	<input type="checkbox"/> BF	<input type="checkbox"/> DBF
Casing	Cast iron	Ductile iron
Adapter	Cast iron	Ductile iron

**Impeller:** Bronze

**Gasket:** Confined non-asbestos fiber

**Shaft:** 416 stainless steel

**Coupling:** High tensile aluminum

**Flush line:** Braided stainless steel

### MAXIMUM PUMP OPERATING CONDITIONS

#### ANSI 125

175 psig at 150°F (12 bars at 65°C)

140 psig at 250°F (10 bars at 121°C)

#### ANSI 250

250 psig at 150°F (17 bars at 65°C)

250 psig at 250°F (17 bars at 121°C)

- Coupling guard (not shown) is supplied
- See performance curves on page 3
- For exact installation, data please write factory for certified dimensions

### MECHANICAL SEAL DATA

See file no. 43.50 for standard mechanical seal details as indicated below.

ARMSTRONG SEAL REFERENCE NUMBER:

c1 (a) Other: \_\_\_\_\_

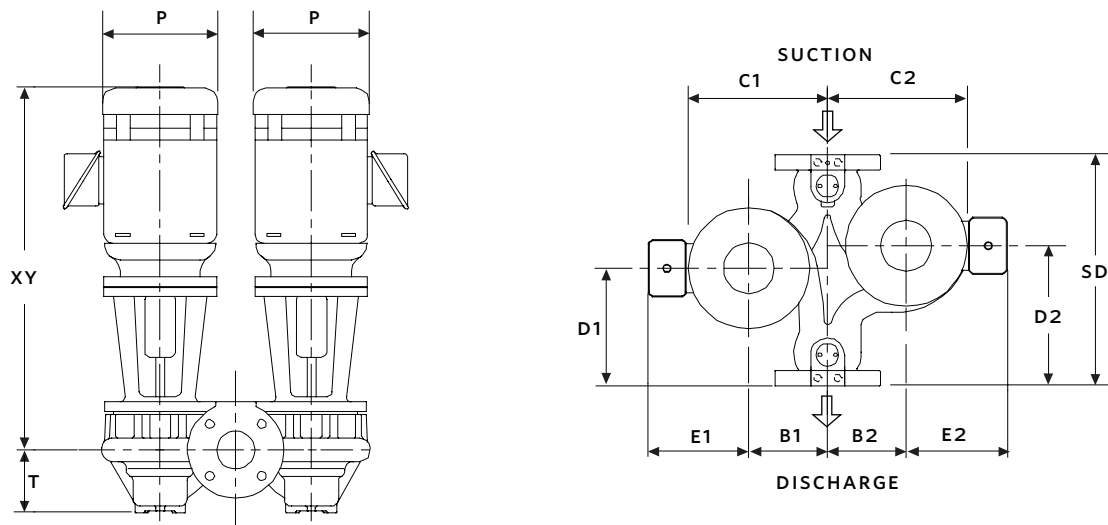
### OPTIONAL EQUIPMENT

### SEAL DATA OPTIONS

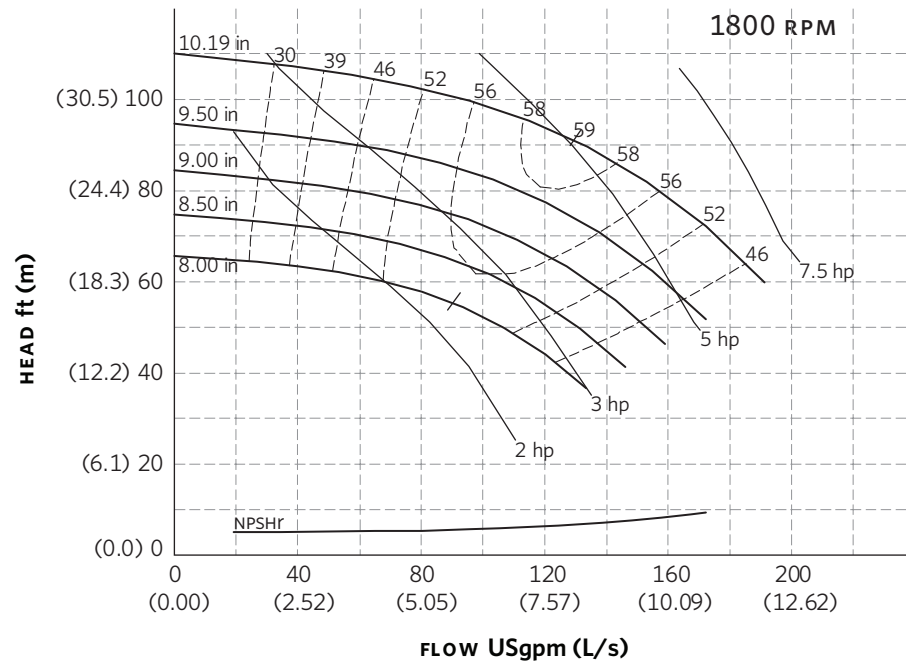
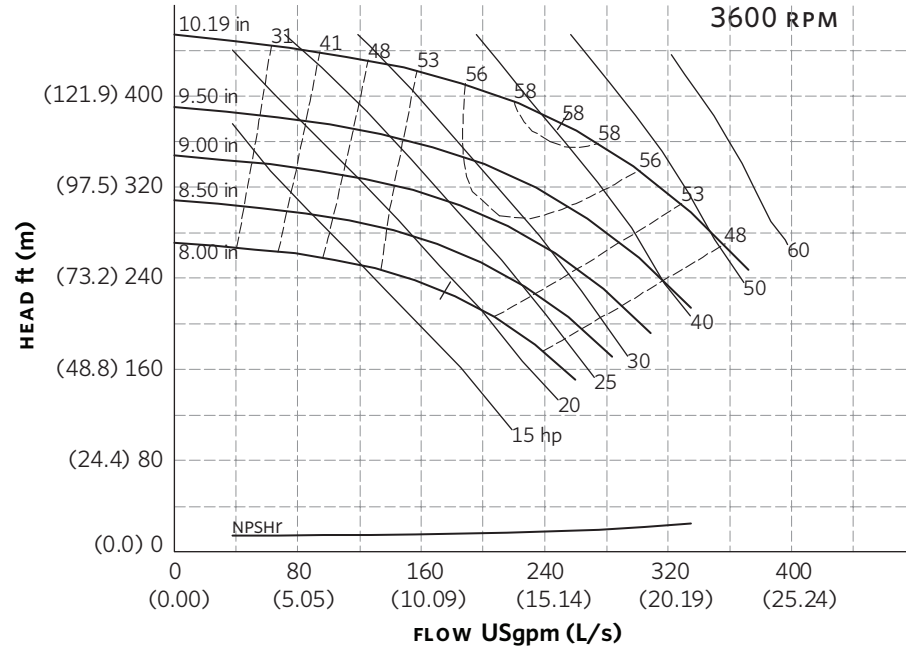
MOTOR FRAME	HP @ RPM				MAX. DIMENSIONS inches (mm)								WEIGHT	
	3600		1800	1200	E1		E2		P		XY		lbs (kgs)	
	ODP	TEFC			ODP	TEFC	ODP	TEFC	ODP	TEFC	ODP	TEFC	ODP	TEFC
182TC	—	—	—	1.5	6.84 (174)	7.50 (191)	6.84 (174)	7.50 (191)	10.38 (264)	9.56 (243)	26.77 (680)	26.65 (677)	596 (270.3)	612 (277.6)
184TC	—	—	5	—	6.84 (174)	7.50 (191)	6.84 (174)	7.50 (191)	10.38 (264)	9.56 (243)	26.77 (674)	26.65 (671)	660 (299.4)	716 (324.8)
184TC	—	—	—	2	6.84 (174)	7.50 (191)	6.84 (174)	7.50 (191)	10.38 (264)	9.56 (243)	26.77 (674)	26.65 (671)	632 (286.7)	686 (311.2)
213TC	—	—	7.5	—	7.59 (193)	8.25 (210)	7.59 (193)	8.25 (210)	12.13 (308)	11.25 (286)	28.27 (718)	29.40 (747)	730 (331.1)	830 (376.5)
256TC	25	—	—	—	9.94 (252)	8.90 (226)	9.94 (252)	8.90 (226)	13.38 (340)	13.38 (340)	34.27 (870)	34.34 (872)	1040 (471.7)	1230 (557.9)
284TSC	30	—	—	—	11.75 (298)	12.00 (305)	11.75 (298)	12.00 (305)	13.38 (340)	15.31 (389)	37.47 (952)	43.60 (1107)	1246 (565.2)	—
284TSC	—	30	—	—	11.75 (298)	12.00 (305)	11.75 (298)	12.00 (305)	13.38 (340)	15.31 (389)	37.47 (952)	43.60 (1107)	—	1356 (615.1)
286TSC	40	—	—	—	11.75 (298)	12.00 (305)	11.75 (298)	12.00 (305)	13.38 (340)	15.31 (389)	37.47 (952)	43.60 (1107)	1414 (641.4)	—
286TSC	—	40	—	—	11.75 (298)	12.00 (305)	11.75 (298)	12.00 (305)	13.38 (340)	15.31 (389)	37.47 (952)	43.60 (1107)	—	1622 (735.7)
324TSC	50	—	—	—	12.69 (322)	13.91 (353)	12.69 (322)	13.91 (353)	14.13 (359)	17.00 (432)	38.71 (983)	44.53 (1131)	1620 (734.8)	—
324TSC	—	50	—	—	12.69 (322)	13.91 (353)	12.69 (322)	13.91 (353)	14.13 (359)	17.00 (432)	38.71 (983)	44.53 (1131)	—	1714 (777.5)

**PUMP DIMENSIONS**  
inches (mm)

B1	B2	C1	C2	D1	D2	SD	T
9.00	9.00	15.63	15.75	10.87	15.87	25.75	5.60
(229)	(229)	(397)	(400)	(276)	(403)	(654)	(142)



SERIES 4302 PERFORMANCE CURVES



Performance curves are for reference only.  
Confirm current performance data with Armstrong ACE ONLINE selection software.

**TORONTO**

23 BERTRAND AVENUE  
TORONTO, ONTARIO  
CANADA  
M1L 2P3  
+1 416 755 2291

**BUFFALO**

93 EAST AVENUE  
NORTH TONAWANDA, NEW YORK  
U.S.A.  
14120-6594  
+1 716 693 8813

**BIRMINGHAM**

HEYWOOD WHARF, MUCKLOW HILL  
HALESOWEN, WEST MIDLANDS  
UNITED KINGDOM  
B62 8DJ  
+44 (0) 8444 145 145

**MANCHESTER**

WOLVERTON STREET  
MANCHESTER  
UNITED KINGDOM  
M11 2ET  
+44 (0) 8444 145 145

**BANGALORE**

#59, FIRST FLOOR, 3RD MAIN  
MARGOSA ROAD, MALLESWARAM  
BANGALORE, INDIA  
560 003  
+91 (0) 80 4906 3555

**SHANGHAI**

NO. 1619 HU HANG ROAD, XI DU TOWNSHIP  
FENG XIAN DISTRICT, SHANGHAI  
P.R.C.  
201401  
+86 21 3756 6696

**MAKING  
ENERGY  
MAKE  
SENSE™**