

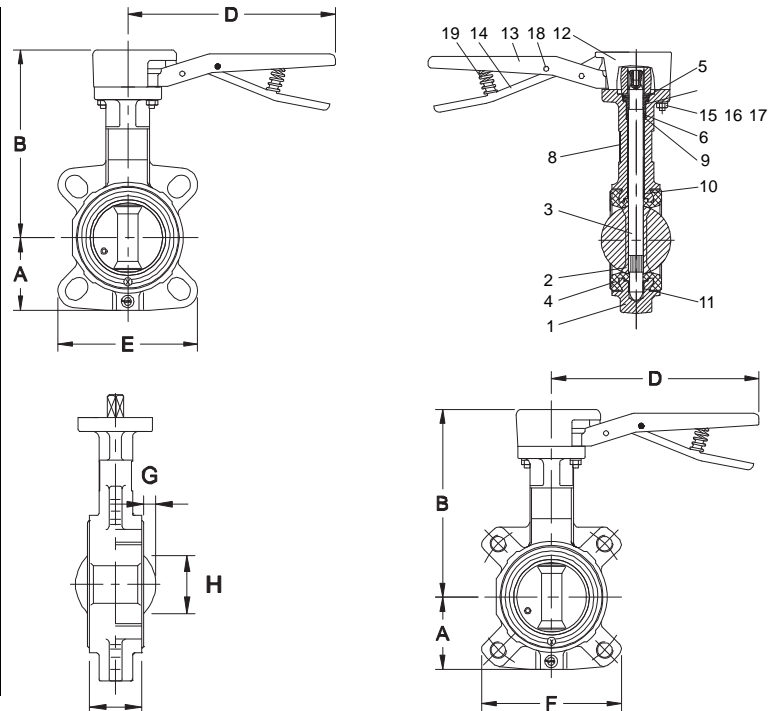
ANSI 125 Butterfly Valves

SUBMITTAL

JOB: _____	REPRESENTATIVE: _____
ENGINEER: _____	ORDER NO: _____ DATE: _____
CONTRACTOR: _____	SUBMITTED BY: _____ DATE: _____
	APPROVED BY: _____ DATE: _____

MATERIALS OF CONSTRUCTION		
Item No.	Description	Material
1	Body	Cast Iron A48
2	Disc	Ductile Iron A536 or 316 SS
3	Shaft	AISI 420
4	Liner	EPDM
5	Circlip	Steel XC 75/Stainless Steel
6	O'Ring	Nitrile
7	Bushing	IXEF
8	Metal Tag	Aluminium
9	Safety Bushing	304L SS
10	Upper Guide Bushing	Zinc Coated Steel + PTFE
11	Lower Guide Bushing	Zinc Coated Steel + PTFE
12	Cap	Ductile Iron A536/Cast Iron A48
13	Hand Lever	Ductile Iron A536
14	Lever	Ductile Iron A536
15	CHc Screw	Zinc Coated Steel
16	Stop Washer	Zinc Coated Steel
17	Nut	Zinc Coated Steel
18	Pin	Stainless Steel
19	Spring	Stainless Steel

Max Temp 230°F(110°C); Max Pressure 200psi(14bar)



DIMENSION										
Size	A	B	C	D	E	F	G	H	Weight Wafer	Weight Lug
2.50 (65)	2.75 (70)	7.13 (181)	1.81 (46)	7.87 (200)	5.39 (137)	5.51 (140)	0.35 (9)	1.77 (45)	8 (3.8)	11 (5.0)
3.00 (80)	3.50 (89)	7.36 (187)	1.81 (46)	7.87 (200)	4.96 (126)	7.71 (196)	0.35 (9)	1.81 (46)	9 (3.9)	12 (5.5)
4.00 (100)	4.17 (106)	8.31 (211)	2.05 (52)	11.42 (290)	5.98 (152)	8.19 (208)	1.10 (28)	3.31 (84)	13 (5.8)	19 (8.4)

Note: All measurements are in inches (mm) and weights are in lbs (kg).

S. A. Armstrong Limited
 23 Bertrand Avenue
 Toronto, Ontario
 Canada, M1L 2P3
 T: (416) 755-2291
 F (Main): (416) 759-9101

Armstrong Pumps Inc.
 93 East Avenue
 North Tonawanda, New York
 U.S.A. 14120-6594
 T: (716) 693-8813
 F: (716) 693-8970

Armstrong Integrated Limited
 Wenlock Way
 Manchester
 United Kingdom, M12 5JL
 T.: +44 (0) 8444 145 145
 F.: +44 (0) 8444 145 146



© S.A. Armstrong Limited 2010