



FILE NO: 100.502
 DATE: Feb. 9, 2009
 SUPERSEDES: New
 DATE: New

Series 4300 IVS Design Envelope
Models: 06AC2, 06AD2

06A_2

SUBMITTAL

JOB: _____ REPRESENTATIVE: _____

 ENGINEER: _____ ORDER NO: _____ DATE: _____
 SUBMITTED BY: _____ DATE: _____
 CONTRACTOR: _____ APPROVED BY: _____ DATE: _____

PUMP DESIGN DATA			
NO. OF PUMPS:			
TAG:			
CAPACITY:	USgpm (L/s)	HEAD:	ft. (m)
LIQUID:		VISCOSITY:	
TEMPERATURE:	°F (°C)	SPECIFIC GRAVITY:	

MOTOR DESIGN DATA		
HP:		
FRAME SIZE:	ENCLOSURE:	
VOLTS:	HERTZ: 60 Hz	PHASE: 3
EFFICIENCY: NEMA PREMIUM		
FLANGE SIZE: SUCTION: 1.5" (40 mm)		DISCHARGE: 1.5" (40 mm)

DESIGN ENVELOPE CAPABILITY DATA					
MODEL	FLOW Usgpm (Lps)	HEAD ft (m)	EFF%	MOTOR HP	RPM
<input type="checkbox"/> 06AC2	38 (2.4)	65 (19.8)	47.1	2	2625
<input type="checkbox"/> 06AD2	50 (3.2)	112 (34.1)	47.1	3	3450

DRIVE DATA	
SENSORLESS CONTROL:	<input type="checkbox"/> REQUIRED <input type="checkbox"/> NOT REQUIRED
*MINIMUM SYSTEM PRESSURE TO BE MAINTAINED _____ ft (m)	
FIELD BUS PROTOCOL: <input type="checkbox"/> ModBUS RTU (standard) <input type="checkbox"/> LonWorks <input type="checkbox"/> BACnet	
ENCLOSURE: UL Type 12	
EMI/RFI CONTROL: Integrated Filter designed to meet EN61800-3	
HARMONIC SUPPRESSION: Integrated DC Link Reactors (<5% THD)	
COOLING: Fan-cooled through back channel	
AMBIENT TEMPERATURE: -10°C to +45°C up to 1000 meters above sea level (-14°F TO +113°F, 3280ft)	
ANALOG INPUTS: 2, current or voltage	
ANALOG OUTPUTS: 1, current	
DIGITAL INPUTS: 4 Programmable	
DIGITAL OUTPUTS: 2 Programmable (can be configured as additional digital inputs)	
PULSE INPUTS: 2 Programmable	
RELAY OUTPUTS: 2 Programmable	
COMMUNICATION PORT: RS 485	

MATERIALS OF CONSTRUCTION		
ANSI FLANGE RATING	<input type="checkbox"/> 125 lb. CAST IRON <input type="checkbox"/> 250 lb. DUCTILE IRON	
CONSTRUCTION	BF	DBF
CASING	CAST IRON	DUCTILE IRON
IMPELLER	BRONZE	BRONZE
FLUSH LINE	COPPER	COPPER
PUMP SHAFT	416 STAINLESS STEEL	
COUPLING	HIGH TENSILE ALUMINUM	
GASKET	CONFINED NON-ASBESTOS	

MAXIMUM PUMP OPERATING CONDITIONS	
125 lb. CAST IRON	250 lb. DUCTILE IRON
175 psig at 140°F (12 bars at 60°C) 100 psig at 300°F (7 bars at 149°C)	375 psig at 100°F (26 bars at 38°C) 275 psig at 500°F (19 bars at 260°C)
SEE FILE NO. 43.50 FOR MAXIMUM SEAL OPERATING CONDITIONS	

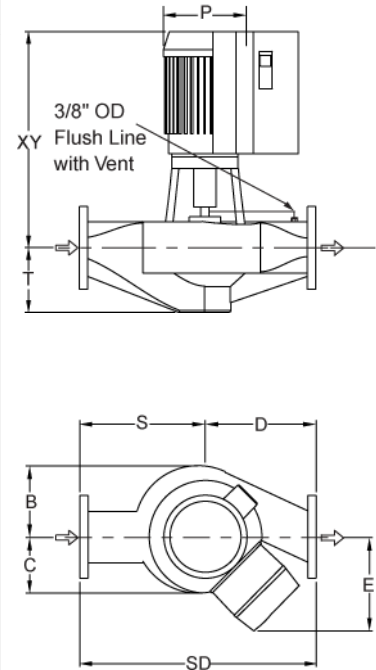
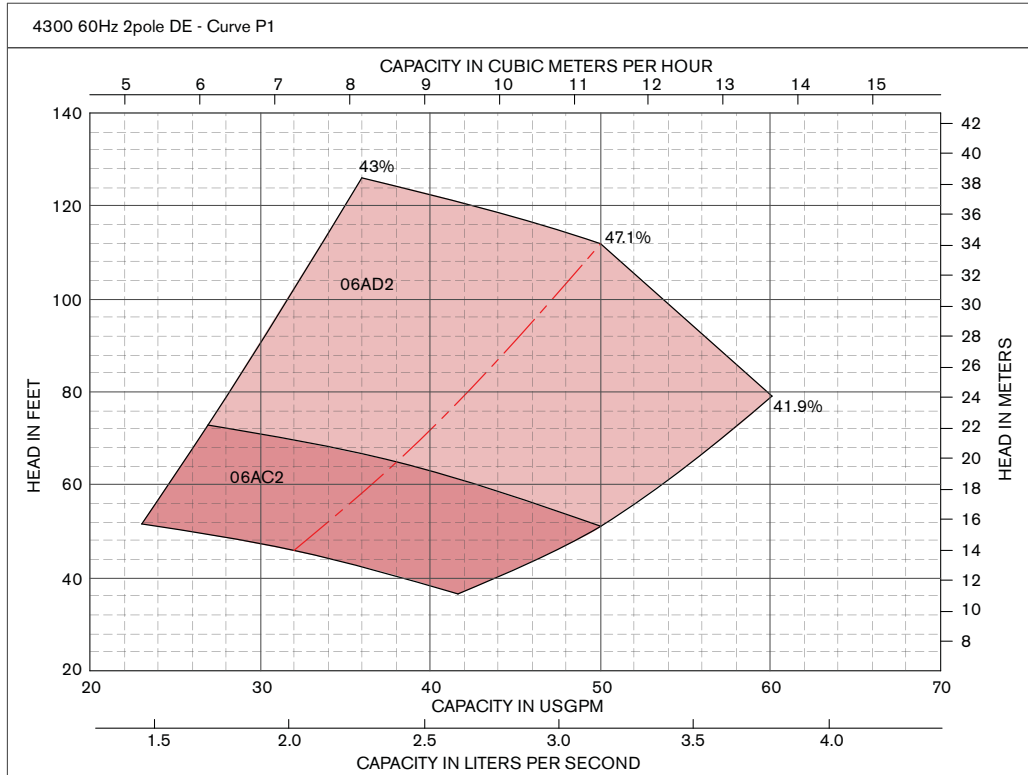
CHASSIS SIZE:				
MODEL	hp	VFD Chassis Size		
		200V-240V	380V-480V	600V
06AC2	2	A5	A5	A5
06AD2	3	A5	A5	A5

MECHANICAL SEAL DESIGN DATA
See File No. 43.50 for standard mechanical
Armstrong Seal Reference Number
<input type="checkbox"/> C1 (a) Other _____

SEAL DATA OPTIONS

OPTIONAL EQUIPMENT
SEE FILE NO. 43.50 FOR ENVIRONMENTAL ACCESSORIES

*If minimum maintained system pressure is not known: Default to 40% of design head



DIMENSION DATA - inches (mm)														
Curve No.	Size	Power (HP)	Motor Frame		B	C	D	S	T	SD	E Max	P	XY	Weight lbs (Kg)
			ODP	TEFC										
06AC2	1.5x1.5x6	2	145TC	145TC	4.53 (115)	4.53 (115)	7.25 (184)	7.00 (178)	4.25 (108)	14.25 (362)	12.83 (326)	7.28 (185)	20.50 (521)	185 (84)
06AD2	1.5x1.5x6	3	145TC	182TC	4.53 (115)	4.53 (115)	7.25 (184)	7.00 (178)	4.25 (108)	14.25 (362)	13.71 (348)	9.56 (243)	26.39 (670)	210 (95)

- COUPLING GUARD (NOT SHOWN) IS SUPPLIED.
- TOLERANCE OF $\pm 0.125"$ (± 3 mm) SHOULD BE USED.
- FOR EXACT INSTALLATION DATA PLEASE WRITE FACTORY FOR CERTIFIED DIMENSIONS.
- PUMP EQUIPPED WITH CASING DRAIN PLUG AND 1/4" NPT SUCTION AND DISCHARGE GAUGE PORTS

S. A. Armstrong Limited
23 Bertrand Avenue
Toronto, Ontario
Canada, M1L 2P3
T: (416) 755-2291
F (Main): (416) 759-9101

Armstrong Pumps Inc.
93 East Avenue
North Tonawanda, New York
U.S.A. 14120-6594
T: (716) 693-8813
F: (716) 693-8970

Armstrong Holden Brooke Pullen
Wenlock Way
Manchester
United Kingdom, M12 5JL
T: +44 (0) 1612 232223
F: +44 (0) 1612 209660



© S.A. Armstrong Limited 2009