

File No.	6043.227
Date:	March 20, 2000
Supersedes:	NEW
Date:	NEW

ARMSTRONG

PARTS LIST

SERIES 4385

EQUAL SUCTION & DISCHARGE

VERTICAL IN-LINE

PACKING GLAND DESIGN

"L" DESIGNATION

1 3/4" IMPELLER BORE -- 2 1/8" I.D. PACKING

OLD DESIGN

MODEL 4385 - VERTICAL PUMP - PACKING GLAND DESIGN

GROUP NUMBER SELECTION CHART

MOTOR FRAME	143-145 JP	182-184 JP	213-215 JP	254-256 JP	284-286 JP	324-326 JP	364-365 JP	364-365 TY	404-405 TY
PUMP SIZE	GROUP NO.								
1 1/2D	S	S	M	M					
2D	S	S	M	M					
3D	S	S	M	M	M	M			
4D	S	S	M	M	M	M			
1 1/2E	S	S	M	M	M	M			
2E	S	S	M	M	M	M			
3E	S	S	M	M	M	M			
4E	S	S	M	M	M	M			
6F			M	M	M	M			
6FN			M	M	M	M			
8F			M	M	M	M			
8FN			M	M	M	M			
6G					M	M	L		
6GN					M	M	L		
8G					M	M	L	L	L
8GN					M	M	L	L	L

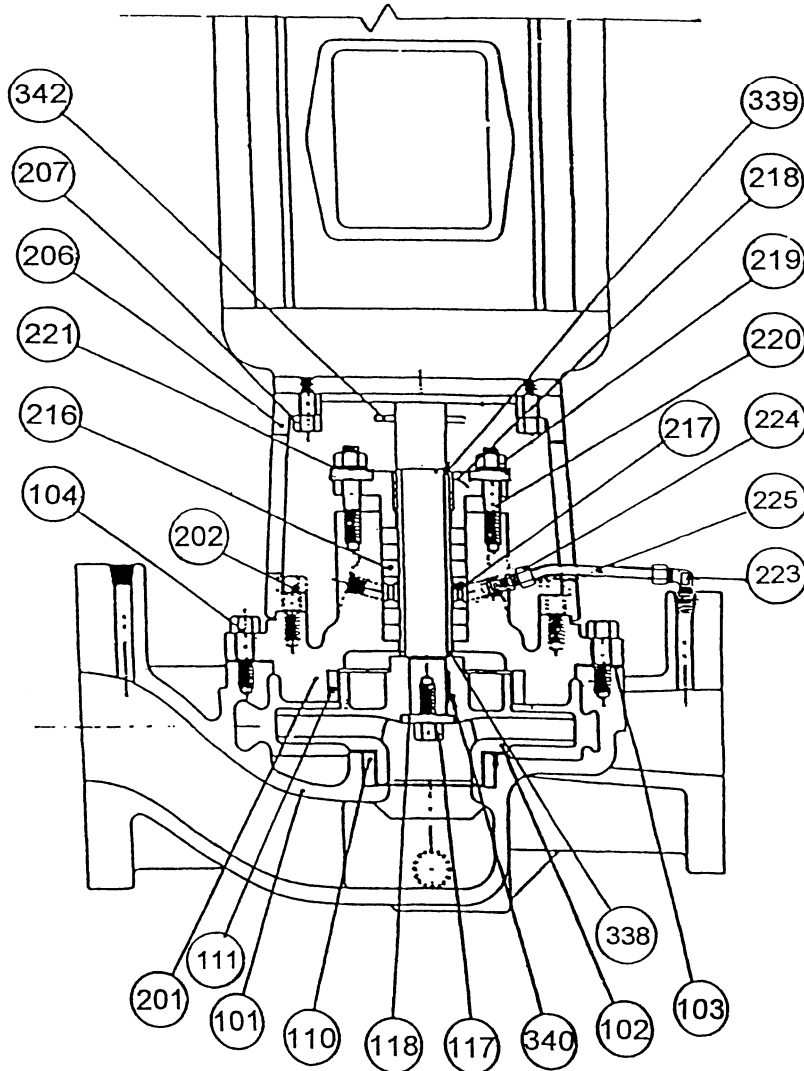
4385 GROUP NO.		S	M	L
PACKING I.D. SIZE SHAFT SLEEVE O.D.		1 1/4"	1 3/4"	2 1/8"
IMPELLER BORE		7/8"	1 1/4"	1 5/8"

CLOSE COUPLED / MOTOR MOUNTED

OLD STYLE VERTICAL PACKING GLAND DESIGN

MODEL 4385

SECTIONAL DRAWING



INDEX

ITEM NO.	DESCRIPTION	PAGE NO.	ITEM NO.	DESCRIPTION	PAGE NO.
101	VOLUTE	3, 4 & 5	218	GLAND PLATE	19, 20 & 21
102	IMPELLER	7, 8, 9 & 10	219	GLAND STUD NUT	19, 20 & 21
103	VOLUTE GASKET	6	220	GLAND STUD	19, 20 & 21
104	VOLUTE CAPSCREW & WASHER	26	221	GLAND STUD WASHER	19, 20 & 21
110	CASE WEAR RING (LOWER)	15 & 16	223	FLUSHLINE 90 DEG.ELBOW	27
111	WEAR RING (STUFFING BOX)	17 & 18	224	FLUSHLINE MALE CONNECTOR	27
117	IMPELLER CAPSCREW	19,20 & 21	225	FLUSHLINE TUBING	28
118	IMPELLER WASHER	19,20 & 21	338	SHAFT SLEEVE SPACER	22
201	STUFFING BOX COVER	11, 12 & 13	339	SHAFT SLEEVE	22
202	STUFF. BOX COVER CAPSCREW	25	340	IMPELLER KEY	19, 20 & 21
206	MOTOR/PUMP BRACKET	11, 12 & 13	342	WATER SLINGER	19, 20 & 21
207	MOTOR CAPSCREW	24	201/206	COMB. STUFF BOX & M/P BRKT.	14
216	GLAND PACKING	19, 20 & 21	not shown	SHAFT SLEEVE & SPACER KITS	23
217	LANTERN RING	19, 20 & 21			

CLOSE COUPLED / MOTOR MOUNTED PUMP PARTS

OLD STYLE VERTICAL PACKING GLAND DESIGN

MODEL 4385 "L" SIZE

1 5/8" IMPELLER BORE---2 1/8" I.D. PACKING

ITEM 101 VOLUTE 250 LBS. A.S.A. FLANGES

PUMP SIZE	MATERIAL	PART NUMBER	BAR CODE
8G	DUCTILE IRON	425754-031	
8GN	DUCTILE IRON	425754-031	

ITEM 102 IMPELLER** 1 5/8" BORE

PUMP SIZE	MATERIAL	IMP. BORE	MAX. DIA.	PART NUMBER	BAR CODE
8G	BRONZE	1 5/8"	13"	425735-041	
8G	CAST IRON	1 5/8"	13"	425735-011	
8GN	BRONZE	1 5/8"	13"	425736-041	
8GN	CAST IRON	1 5/8"	13"	425736-011	

** Impeller Part Numbers are for full or maximum diameter Impellers. Always specify Pump Serial Number and where possible, measure and advise the diameter of the Impeller being replaced on these Pumps.

ITEM 103 VOLUTE "O" RING

PUMP SIZE	MATERIAL	PART NUMBER	BAR CODE
8G & 8GN	ALL	961131-455	

CLOSE COUPLED / MOTOR MOUNTED PUMP PARTS

OLD STYLE VERTICAL PACKING GLAND DESIGN

MODEL 4385 "L" SIZE

1 5/8" IMPELLER BORE---2 1/8" I.D. PACKING

ITEM 201 & 206 COMBINATION STUFF. BOX & MOTOR/PUMP BRKT.					
PUMP SIZE	MOTOR FRAME SIZE	GROUP NO.	CONST.	PART NUMBER	BAR CODE
8G-8GN	364TY-365TY 404TY-405TY	L	B.F. & A.I.	425713-011	

ITEM 110 CASE WEAR RING (LOWER)			
PUMP SIZE	CONST.	PART NUMBER	BAR CODE
8G & 8GN	B.F. & A.B.	425550-059	
8G & 8GN	A.I.	425550-089	

ITEM 111 CASE WEAR RING (STUFFING BOX)			
PUMP SIZE	CONST.	PART NUMBER	BAR CODE
8G & 8GN	B.F. & A.B.	425550-053	
8G & 8GN	A.I.	425550-083	

NOTES:

- * B.F. Denotes "Bronze Fitted " construction. Parts in contact with pumped liquid are bronze or copper, except volute and cover plate.
- A.I. Denotes "All Iron " construction. Parts in contact with the pumped liquid are cast iron or steel, except shaft sleeve & mechanical seal.
- A.B. Denotes "All Bronze" construction. Parts in contact with the pumped liquid are bronze or stainless steel.

CLOSE COUPLED / MOTOR MOUNTED PUMP PARTS

OLD STYLE VERTICAL PACKING GLAND DESIGN

MODEL 4385 "L" SIZE

1 5/8" IMPELLER BORE---2 1/8" I.D. PACKING

COMMON PARTS

ITEM NO.	DESCRIPTION	PART NUMBER	BAR CODE
117	IMPELLER CAPSCREW S/S	911900-113	
118	IMPELLER WASHER B.F./A.I./A.B.*	425742-004	
216	GLAND PACKING (5 RINGS REQ'D)	966302-001	
217	LANTERN RING B.F. & A.B.*	425671-041	
217	LANTERN RING A.I.*	425671-011	
218	GLAND B.F. & A.B.*	425670-041	
218	GLAND A.I.*	425671-011	
219	GLAND STUD (2 REQ'D) 7/16" NC X 2 1/2" S/S	915223-120	
220	GLAND NUT (2 REQ'D) 7/16" NC S/S	913123-400	
221	GLAND STUD WASHER (2 REQ'D) 1/2" S/S	927118-000	
340	IMPELLER KEY 1/4" SQ. X 1 3/4" LG.	428161-114	
342	WATER SLINGER	411343-002	

NOTES:

* B.F. Denotes "Bronze Fitted " construction. Parts in contact with pumped liquid are bronze or copper, except volute and cover plate.

A.I. Denotes "All Iron" construction. Parts in contact with the pumped liquid are cast iron or steel, except shaft sleeve & mechanical seal.

A.B. Denotes "All Bronze" construction. Parts in contact with the pumped liquid are bronze or stainless steel.

CLOSE COUPLED / MOTOR MOUNTED PUMP PARTS

OLD STYLE VERTICAL PACKING GLAND DESIGN

MODEL 4385 "L" SIZE

1 5/8" IMPELLER BORE---2 1/8" I.D. PACKING

ITEM 339 SHAFT SLEEVE

GROUP No.	SLEEVE O.D.	CONST.	PART NUMBER	BAR CODE
L	2 1/8"	A.B. - B.F.	425869-031	
L	2 1/8"	A.I.	425869-032	

SHAFT SLEEVE SPACER

GROUP NO.	SLEEVE O.D.	CONST.	PART NUMBER	BAR CODE
L	2 1/8"	A.B. - B.F. - A.I.	425868-003	

SHAFT SLEEVE & SPACER KITS

GROUP NO.	SLEEVE O.D.	CONST.	PART NUMBER	BAR CODE
L	1 3/4"	A.B. - B.F.	835085-009	
L	1 3/4"	A.I.	835085-010	

NOTES:

* B.F. Denotes "Bronze Fitted " construction. Parts in contact with pumped liquid are bronze or copper, except volute and cover plate.

A.I. Denotes "All Iron" construction. Parts in contact with the pumped liquid are cast iron or steel, except shaft sleeve & mechanical seal.

A.B. Denotes "All Bronze" construction. Parts in contact with the pumped liquid are bronze or stainless steel.

CLOSE COUPLED / MOTOR MOUNTED PUMP PARTS

OLD STYLE VERTICAL PACKING GLAND DESIGN

MODEL 4385 "L" SIZE

1 5/8" IMPELLER BORE---2 1/8" I.D. PACKING

ITEM 207 MOTOR CAPSCREW

MOTOR FRAME SIZE	CAPSCREW SIZE	NO. REQ'D	PART NUMBER	BAR CODE
364TY - 405TY	5/8-11NCX1 1/4"	4	911129-112	

MOTOR CAPSCREW LOCKWASHER

MOTOR FRAME SIZE	LOCKWASHER SIZE	NO. REQ'D	PART NUMBER	BAR CODE
364TY - 405TY	5/8"	4	927215-100	

ITEM 104 VOLUTE CAPSCREW

FRAME SIZE	PUMP SIZE	SIZE	NO. REQ'D	PART NUMBER	BAR CODE
364TY - 405TY	8G TO 8GN	1/2-13NC X 1 1/4"	18	911125-310	

VOLUTE CAPSCREW LOCKWASHER

FRAME SIZE	PUMP SIZE	SIZE	NO. REQ'D	PART NUMBER	BAR CODE
364TY - 405TY	8G TO8GN	1/2"	18	927213-100	

CLOSE COUPLED / MOTOR MOUNTED PUMP PARTS

OLD STYLE VERTICAL PACKING GLAND DESIGN

MODEL 4385 "L" SIZE

1 5/8" IMPELLER BORE---2 1/8" I.D. PACKING

ITEM 223 MALE ELBOW *

PUMP SIZE	NO. REQ'D	MAT'L	SIZE	CONST.	PART NUMBER	BAR CODE
ALL	1	BRASS	3/8" TUBE X 1/4" NPT	B.F. & A.B.	939003-109	
ALL	1	STEEL	3/8" TUBE X 1/4" NPT	A.I.	939003-209	

ITEM 224 MALE CONNECTOR *

PUMP SIZE	NO. REQ'D	MAT'L	SIZE	CONST.	PART NUMBER	BAR CODE
ALL	1	BRASS	3/8" TUBE X 1/4" NPT	B.F. & A.B.	939001-114	
ALL	1	STEEL	3/8" TUBE X 1/4" NPT	A.I.	939001-214	

NOTES:

* PUMPS ORIGINALLY SUPPLIED WITH 1/4" TUBING FLUSH LINES, WHEN REPLACING FLUSH LINES OR COMPONENTS CHANGE TUBING AND FITTINGS TO 3/8" PER ABOVE PARTS LIST.

** B.F. Denotes "Bronze Fitted " construction. Parts in contact with pumped liquid are bronze or copper, except volute and cover plate.
 A.I. Denotes "All Iron " construction. Parts in contact with the pumped liquid are cast iron or steel, except shaft sleeve & mechanical seal.
 A.B. Denotes "All Bronze" construction. Parts in contact with the pumped liquid are bronze or stainless steel.

CLOSE COUPLED / MOTOR MOUNTED PUMP PARTS

OLD STYLE VERTICAL PACKING GLAND DESIGN

MODEL 4385 "L" SIZE

1 5/8" IMPELLER BORE---2 1/8" I.D. PACKING

ITEM 225 FLUSH LINE TUBING**						
PUMP SIZE	TUBING SIZE	NO. REQ'D	LENGTH	CONST.	PART NUMBER	BAR CODE
1 1/2D TO 4D AND 1 1/2E TO 4E	3/8" OD	1	12"LG.	B.F. - A.B.	997531-004	
				A.I.	997153-004	
4GN 6F TO 6FN 6G TO 6GN	3/8" OD	1	16"LG.	B.F. - A.B.	997531-004	
				A.I.	997153-004	
8F TO 8FN AND 8G TO 8GN	3/8" OD	1	24"LG.	B.F. - A.B.	997531-004	
				A.I.	997153-004	

NOTES:

* B.F. Denotes "Bronze Fitted " construction. Parts in contact with pumped liquid are bronze or copper, except volute and cover plate.

A.I. Denotes "All Iron " construction. Parts in contact with the pumped liquid are cast iron or steel, except shaft sleeve & mechanical seal.

A.B. Denotes "All Bronze" construction. Parts in contact with the pumped liquid are bronze or stainless steel.

**** PUMPS ORIGINALLY SUPPLIED WITH 1/4" TUBING FLUSH LINES, WHEN REPLACING FLUSH LINES OR COMPONENTS CHANGE TUBING AND FITTINGS TO 3/8" PER ABOVE PARTS LIST.**