



FILE NO.:	6042.225
DATE:	February 17, 2005
SUPERSEDES:	6042.225
DATE:	June 1, 1996

## PARTS LIST

---

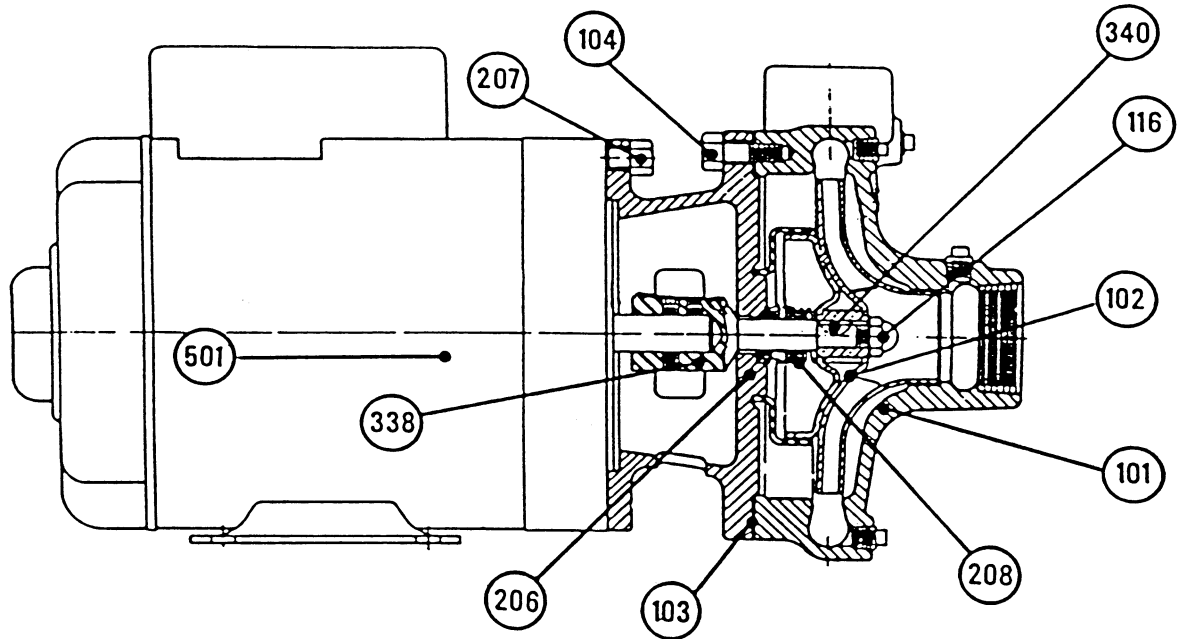
# SERIES 4260

## MOTOR MOUNTED PUMP

**OLD DESIGN**

TYPICAL SECTION VIEW

# MODEL 4260



ITEM NO.	DESCRIPTION	PAGE NO.
101	CASING	2
102	IMPELLER	3
103	CASING GASKET	4
104	CASING CAPSCREW	4
116	IMPELLER NUT	6

ITEM NO.	DESCRIPTION	PAGE NO.
206	ADAPTER BRACKET	4
207	ADAPTER BRKT. CAPSCREW	5
208	MECH. SEAL ASSY.	5
338	SHAFT EXTENSION	5
340	IMPELLER KEY	6

# ITEM 101 CASING

PUMP SIZE	MATERIAL	PART NUMBER	REMARKS
3/4 B	CAST IRON	406929-011	<b>OBSOLETE</b>
3/4 B	BRONZE	406929-041	<b>OBSOLETE</b>
1 B	CAST IRON	412737-011	<b>OBSOLETE</b>
1 B	BRONZE	412737-041	<b>OBSOLETE</b>
1 1/4 B	CAST IRON	409423-011	<b>OBSOLETE</b>
1 1/4 B	BRONZE	409423-041	<b>OBSOLETE</b>
1 1/2B	CAST IRON	406946-011	<b>OBSOLETE</b>
1 1/2B	BRONZE	406946-041	<b>OBSOLETE</b>

**FOR COMPLETE PUMP REPLACEMENT PLEASE CHECK WITH YOUR LOCAL  
ARMSTRONG REPRESENTATIVE AND ASK ABOUT OUR 4270 SERIES OR VISIT  
[WWW.ARMSTRONGPUMPS.COM](http://WWW.ARMSTRONGPUMPS.COM)**

# MODEL 4260

## CLOSE COUPLED / MOTOR MOUNTED

### PUMP PARTS

<b>ITEM 102 IMPELLER**</b>			
<b>PUMP SIZE</b>	<b>MATERIAL</b>	<b>PART NUMBER</b>	<b>BAR CODE</b>
<b>3/4 B</b>	<b>STEEL</b>	<b>816302-017</b>	
<b>3/4 B</b>	<b>BRONZE</b>	<b>816302-047</b>	
<b>1 B</b>	<b>STEEL</b>	<b>816302-017</b>	
<b>1 B</b>	<b>BRONZE</b>	<b>816302-047</b>	
<b>1 1/4 B</b>	<b>STEEL</b>	<b>816303-017</b>	
<b>1 1/4 B</b>	<b>BRONZE</b>	<b>816303-047</b>	
<b>1 1/2B</b>	<b>STEEL</b>	<b>816304-017</b>	
<b>1 1/2B</b>	<b>BRONZE</b>	<b>816304-047</b>	

\*\* Impeller Part Numbers are for full or maximum diameter Impellers. Always specify Pump Serial Number and where possible, measure and advise the diameter of the Impeller being replaced on these Pumps.

# MODEL 4260

CLOSE COUPLED / MOTOR MOUNTED

## PUMP PARTS

<b>ITEM 103 CASING GASKET</b>			
<b>PUMP SIZE</b>	<b>CONST.</b>	<b>PART NO.</b>	<b>BAR CODE</b>
ALL SIZES	ALL	106158-000	

<b>ITEM 104 CASING CAPSCREWS</b>					
<b>PUMP SIZE</b>	<b>CONST.</b>	<b>PART NUMBER</b>	<b>SIZE</b>	<b>NO. REQ'D</b>	<b>BAR CODE</b>
3/4B TO 1 1/2B	ALL	911119-106	5/16-18NCX3/4"	6	

<b>ITEM 206 ADAPTER BRACKET</b>			
<b>PUMP SIZE</b>	<b>CONST.</b>	<b>PART NUMBER</b>	<b>BAR CODE</b>
3/4B TO 1 1/2B	B. F.	816595-011	
3/4B TO 1 1/2B	A. I.	816595-091	
3/4B TO 1 1/2B	A. B.	816595-041	

# MODEL 4260

CLOSE COUPLED / MOTOR MOUNTED

## PUMP PARTS

### ITEM 207 ADAPTER BRKT. CAPSCREWS

PUMP SIZE	CONST.	PART NO.	SIZE	NO. REQ'D	BAR CODE
3/4B TO 1 1/2B	ALL	911121-106	3/8-16NCX3/4"	4	

### ITEM 338 SHAFT EXTENSION

PUMP SIZE	CONST.	PART NUMBER	BAR CODE
3/4B TO 1 1/2B	ALL	814910-001	

### ITEM 208 MECHANICAL SEAL ASSEMBLY

PUMP SIZE	CONST.	PART NUMBER	BAR CODE
3/4B TO 1 1/2B	B. F.	816706-001	
3/4B TO 1 1/2B	A. I.	816706-002	
3/4B TO 1 1/2B	A. B.	816706-001	

# MODEL 4260

CLOSE COUPLED / MOTOR MOUNTED

## PUMP PARTS

### ITEM 116 IMPELLER NUT

PUMP SIZE	CONST.	PART NUMBER	BAR CODE
3/4B TO 1 1/2B	B. F.	106076-000	
3/4B TO 1 1/2B	A. I.	913171-100	
3/4B TO 1 1/2B	A. B.	106076-000	

### ITEM 340 IMPELLER KEY

PUMP SIZE	CONST.	PART NUMBER	BAR CODE
3/4B TO 1 1/2B	ALL	974508-100	

### IMPELLER WASHER

( NOT SHOWN ON VIEW )

PUMP SIZE	CONST.	PART NUMBER	BAR CODE
3/4B TO 1 1/2B	B. F.	927411-700	
3/4B TO 1 1/2B	A. I.	927311-100	
3/4B TO 1 1/2B	A. B.	927411-700	